



### FEATURES:

- Ultra Wide 4:1 input range
- Efficiency up to 91%
- Soft start
- Continuous short circuit protection
- Remote on/off control
- Input/Output Isolation 1600VDC
- Operating temperature -40°C to + 75°C
- RoHS compliant



### Models Single output

Model	Input Voltage (V)	Output Voltage (V)	Output Current max (A)	Maximum Capacitive Load (uF)	Efficiency (%)
AM30EW-2403SZ	9-36	3.3	7.5	20000	86
AM30EW-2405SZ	9-36	5	6	14000	88
AM30EW-2405.1SZ	9-36	5.1	6	14000	88
AM30EW-2412SZ	9-36	12	2.5	2000	89
AM30EW-2415SZ	9-36	15	2	2000	89
AM30EW-4803SZ	18-75	3.3	7.5	20000	86
AM30EW-4805SZ	18-75	5	6	14000	88
AM30EW-4805.1SZ	18-75	5.1	6	14000	88
AM30EW-4812SZ	18-75	12	2.5	2000	90
AM30EW-4815SZ	18-75	15	2	2000	91

Add suffix “-K” for optional heat sink

### Models Dual output

Model	Input Voltage (V)	Output Voltage (V)	Output Current max (A)	Maximum Capacitive Load (uF)	Efficiency (%)
AM30EW-2405DZ	9-36	±5	±3	±3000	88
AM30EW-2412DZ	9-36	±12	±1.25	±1300	87
AM30EW-2415DZ	9-36	±15	±1	±1300	87
AM30EW-4805DZ	18-75	±5	±3	±3000	88
AM30EW-4812DZ	18-75	±12	±1.25	±1300	88
AM30EW-4815DZ	18-75	±15	±1	±1300	88

Add suffix “-K” for optional heat sink

### Models Triple output

Model	Input Voltage (V)	Output Voltage (V)	Output Auxiliary Voltage (V)	Output Current max (A)	Maximum Capacitive Load (uF)	Efficiency (%)
AM30EW-240312TZ	9-36	3.3	±12	5 / ±0.42	15000 / ±220	88
AM30EW-240315TZ	9-36	3.3	±15	5 / ±0.33	15000 / ±220	88
AM30EW-240512TZ	9-36	5	±12	4 / ±0.42	8000 / ±220	90
AM30EW-240515TZ	9-36	5	±15	4 / ±0.33	8000 / ±220	90
AM30EW-480312TZ	18-75	3.3	±12	5 / ±0.42	15000 / ±220	88
AM30EW-480315TZ	18-75	3.3	±15	5 / ±0.33	15000 / ±220	88
AM30EW-480512TZ	18-75	5	±12	4 / ±0.42	8000 / ±220	90
AM30EW-480515TZ	18-75	5	±15	4 / ±0.33	8000 / ±220	90

Add suffix “-K” for optional heat sink

NOTE: All specifications in this datasheet are measured at an ambient temperature of 25°C, humidity<75%, nominal input voltage and at rated output load unless otherwise specified.

## Input Specifications

Parameters	Nominal	Typical	Maximum	Units
Voltage range	24	9-36		VDC
	48	36-75		
Filter	$\pi$ (Pi) Network			
Start up time		30		ms
Absolute Maximum Rating	24	-0.7 ~ 50		VDC
	48	-0.7 ~ 100		
Peak Input Voltage time			100	ms
On/Off control	ON: 3 ~12VDC or open circuit			
	OFF: 0 ~ 1.2VDC or Short circuit between pin 2 and pin 3			
No Load Input Current	Vin 9~36	100		mA
	Vin 36~75	50		
Under voltage lockout	24V ON/OFF	8.8 / 7.9		VDC
	48V ON/OFF	17.8 / 16		
Input reflected current		20		mAp-p

## Isolation Specifications

Parameters	Conditions	Typical	Rated	Units
Tested I/O voltage	3 sec		1600	VDC
Case/Input tested voltage	3 sec	1600		VDC
Resistance		1000		MOhm
Capacitance		1500		pF

## Output Specifications

Parameters	Conditions	Typical	Maximum	Units
Voltage accuracy (Single and Dual)		$\pm 1$		%
Voltage accuracy (Triple)	Main / Auxiliary	$\pm 1 / \pm 5$		
Cross Regulation (Dual Output Models)	25% load on one output - 100% load on second load	$\pm 5$		%
Cross Regulation (Triple)	Main 100%, 25% load on Aux1 and 100% on Aux2	$\pm 5$		
Over voltage protection	Zener diode clamp			
Over current protection		120		%
Short Circuit protection	Continuous			
Short circuit restart	Auto-Recovery			
Thermal Shutdown	Case temp	115		$^{\circ}\text{C}$
Line voltage regulation (Single)	HL-LL	$\pm 0.2$		%
Line voltage regulation (Dual)	HL-LL	$\pm 0.2$		%
Line voltage regulation (Triple)	HL-LL Main / Auxiliary	$\pm 1 / \pm 5$		%
Load voltage regulation (Single)	0-100% load	$\pm 0.5$		%
Load voltage regulation (Dual)	Balanced load	$\pm 1$		%
Load voltage regulation (Triple)	10~100% Main / Auxiliary	$\pm 1 / \pm 5$		%
Temperature coefficient		$\pm 0.02$		$\% / ^{\circ}\text{C}$
Ripple & Noise (Single and Dual)	20MHz bandwidth, 3.3V/5V/5.1V/ $\pm 5\text{V}$	100		mV p-p
	20MHz bandwidth, 12V/15V/ $\pm 12\text{V}/\pm 15\text{V}$	150		
Ripple & Noise (Triple)	20MHz bandwidth Main / Auxiliary	50 / 75		mV p-p
Voltage adjustment range (single)		$\pm 10$		%
Minimum Load Current		10		% of Max

## General Specifications

Parameters	Conditions	Typical	Maximum	Units
Switching frequency	100% load	330		KHz
Operating temperature	Derating above 50		-40 to +75	°C
Storage temperature		-40 to +125		°C
Maximum case temperature			105	°C
Derating		2		%/°C
Cooling		Free Air Convection		
Humidity			95	% RH
Case material		Nickel coated Copper		
Weight		30		g
Dimensions (L x W x H)		2.00 x 1.00 x 0.4 inches	50.80 x 25.40 x 10.17 mm	
MTBF		Single & Dual: >450000 hrs (MIL-HDBK -217F, Ground Benign, t=+25°C)		
		Triple: >320000 hrs (MIL-HDBK -217F, Ground Benign, t=+25°C)		
Maximum soldering temperature	1.5mm from case for 10 sec		260	°C
Transient recovery time		250		µS
Transient recovery deviation		±3		%

## Safety Specifications

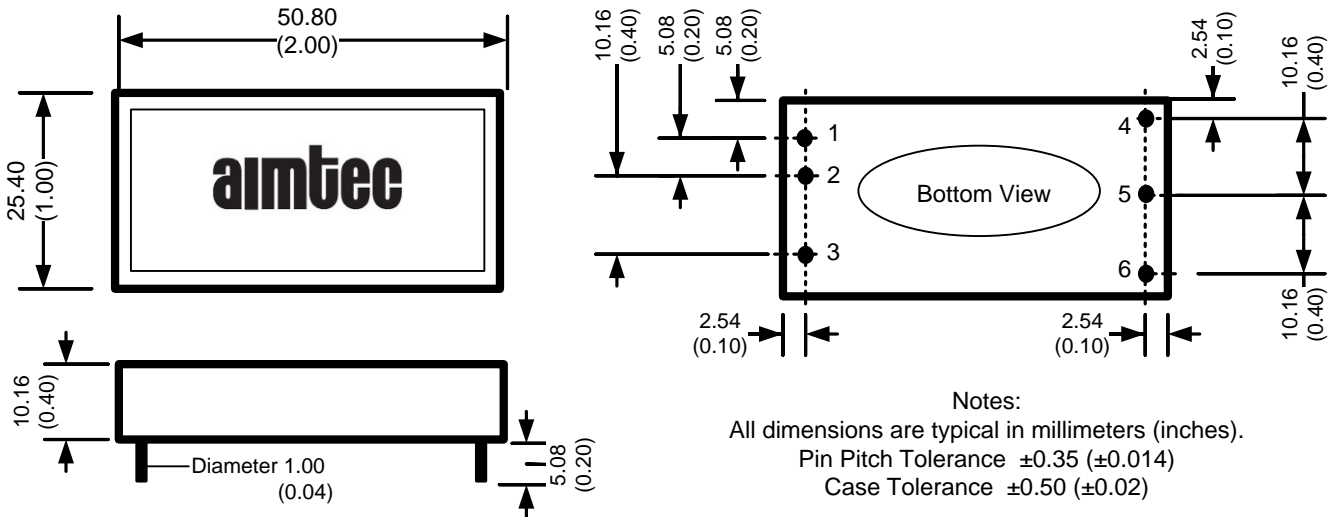
Parameters	
Agency Approval	CE
Standards	EN55022 Class A, EN55024
	IEC61000-4-2, Perf. Criteria B
	IEC61000-4-3, Perf. Criteria A
	IEC61000-4-4, Perf. Criteria B (external 220µF/100V cap required)
	IEC61000-4-5, Perf. Criteria B (external 220µF/100V cap required)
	IEC61000-4-6, Perf. Criteria A
	IEC61000-4-8, Perf. Criteria A

## Pin Out Specifications

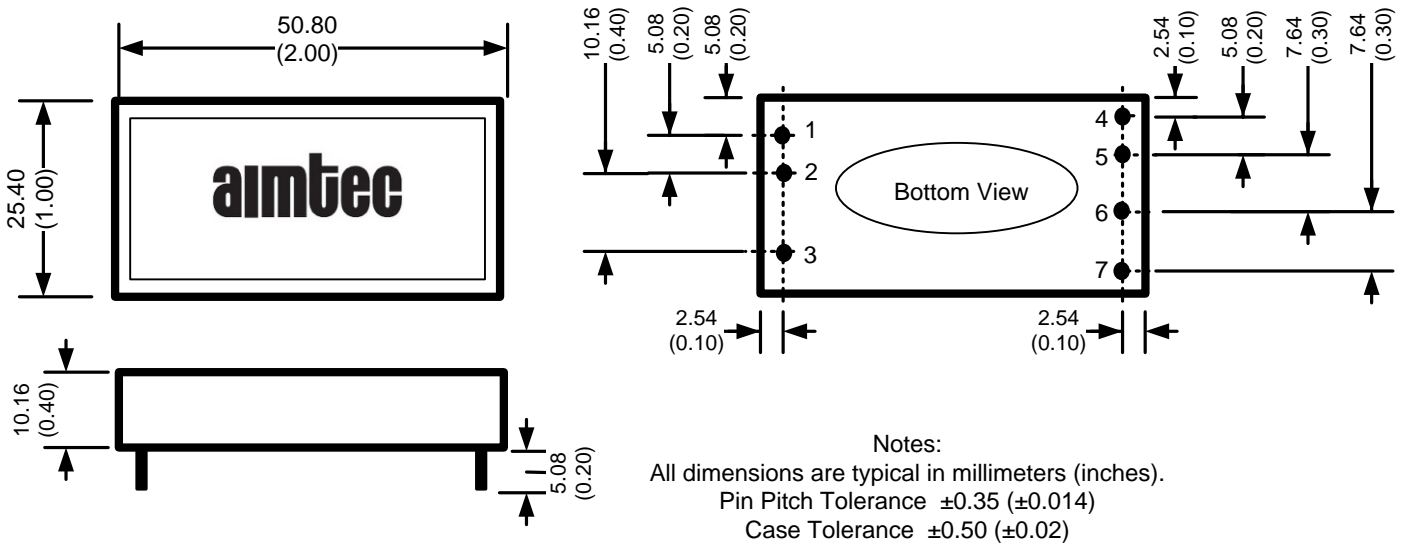
Pin	Single	Dual	Triple
1	+ V Input	+ V Input	+ V Input
2	- V Input	- V Input	- V Input
3	On/Off Control	On/Off Control	On/Off Control
4	+ V Output	+ V Output	+ Vaux Output
5	-V Output	Common	- Vaux Output
6	Trim	- V Output	Common
7	No Pin	No Pin	+ V Output

## Dimensions

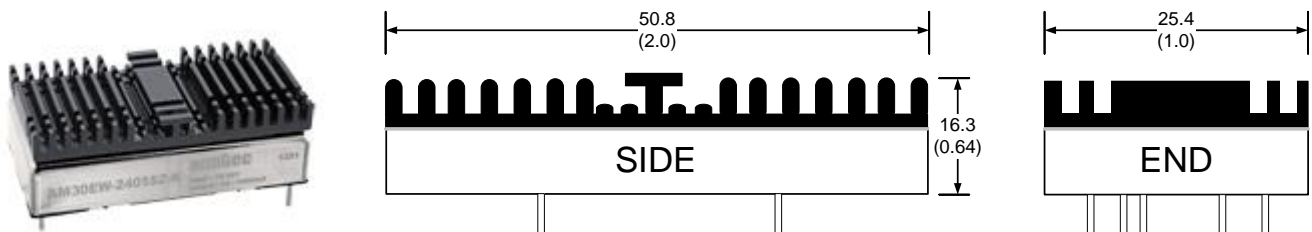
Single and Dual Output Models



Triple Output Models

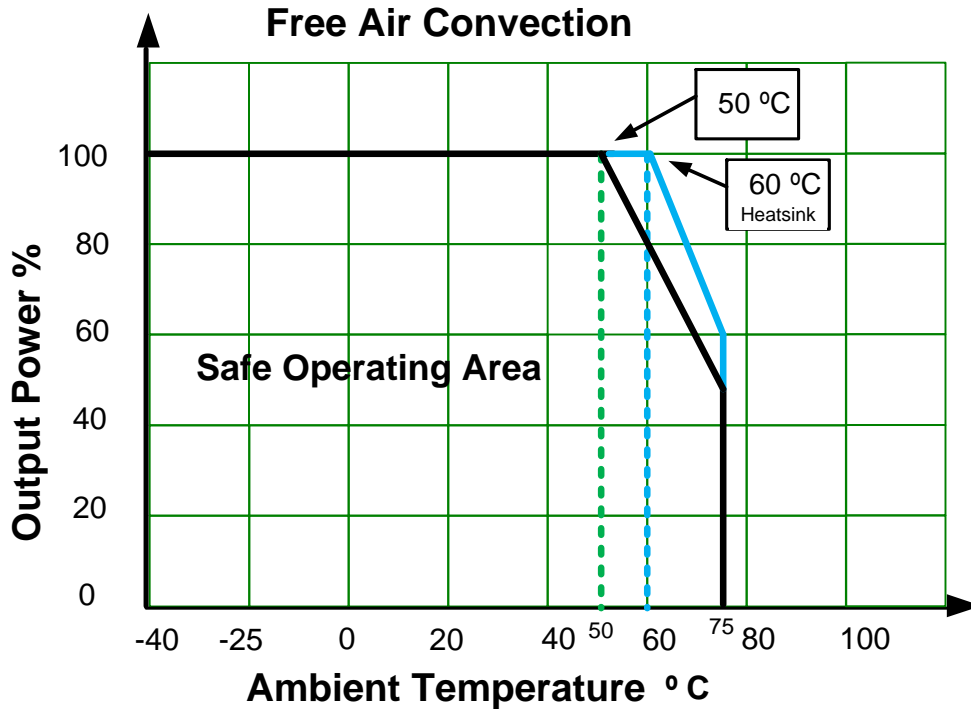


## Dimensions with Optional Heat Sink



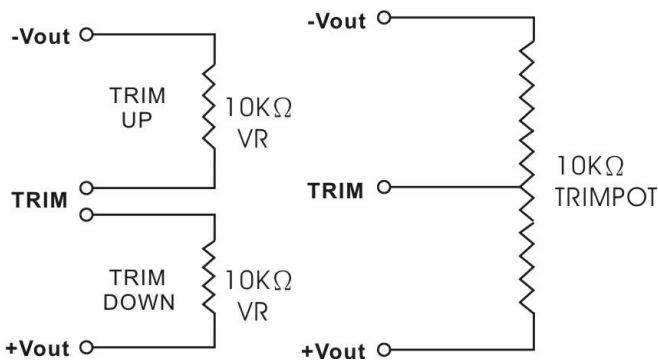
Notes: Add "-K" suffix for ordering, heat sink is affixed with thermally dissipative adhesive tape. See derating graph for temperature performance. Heat sink material is anodized (black) aluminum, adds weight 11.2g to total mass (41.2g). Thermal impedance of converter is: with heat sink 10°C/W and 12°C/W without heat sink

**Derating**

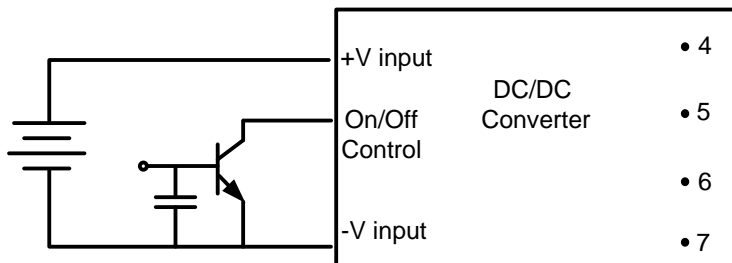


Extended temperature performance can be achieved with optional heat sink. (add suffix “-K” to part number)

**Trimming**



**On/Off Control**

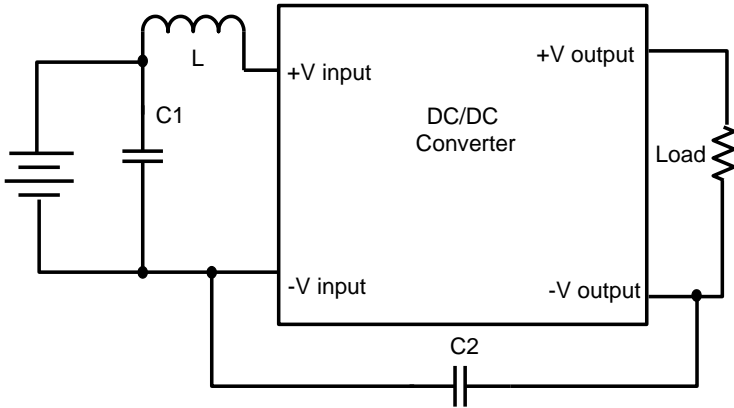


Positive logic turns on the module during high logic and off during low logic. Module can be controlled by an external switch between the On/Off CTRL terminal and -Vinput terminal. The switch can be either open collector or open drain.

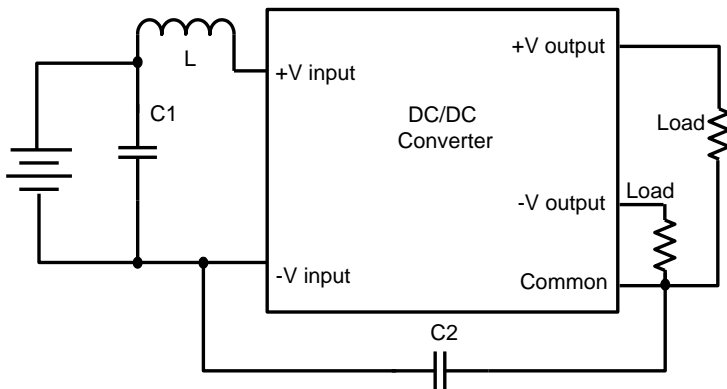
**Recommended Circuits**

C1	L	C2
100uF, 100V	12uH	1206, 470pF, 2KV

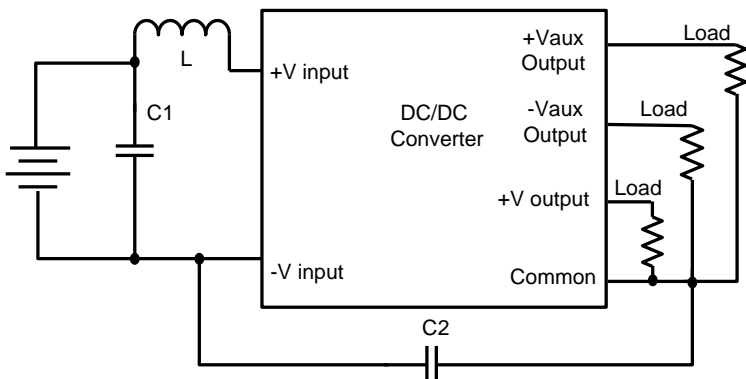
Conducted/Radiated Emissions  
Single Output



Conducted/Radiated Emissions  
Dual Output



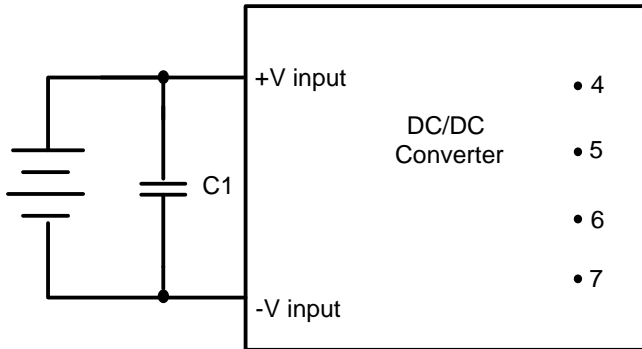
Conducted/Radiated Emissions  
Triple Output



**Surge/EFT**

**C1**

220uF, 100V



**NOTE:** 1. Datasheets are updated as needed and as such, specifications are subject to change without notice. Once printed or downloaded, datasheets are no longer controlled by Aimtec; refer to [www.aimtec.com](http://www.aimtec.com) for the most current product specifications. 2. Product labels shown, including safety agency certifications on labels, may vary based on the date manufactured. 3. Mechanical drawings and specifications are for reference only. 4. All specifications are measured at an ambient temperature of 25°C, humidity<75%, nominal input voltage and at rated output load unless otherwise specified. 5. Aimtec may not have conducted destructive testing or chemical analysis on all internal components and chemicals at the time of publishing this document. CAS numbers and other limited information are considered proprietary and may not be available for release. 6. This product is not designed for use in critical life support systems, equipment used in hazardous environments, nuclear control systems or other such applications which necessitate specific safety and regulatory standards other the ones listed in this datasheet. 7. Warranty is in accordance with Aimtec's standard Terms of Sale available at [www.aimtec.com](http://www.aimtec.com).