

## Data sheet

Commercial Art.No.: 70.100.2453.4

Multipole adapter BAS BAS KL 24 4,0 50

Multipole adapter revos BASIC 500V/16A screw connection 24 pole + ground, short design, female insert, ground left



Commercial Art.No.	70.100.2453.4
EAN	4015573218031
Order Unit	10

Certificates / Approvals



## Technical data

### General

Model	Female insert
Size (in accordance with DIN 43880)	24
Inflammability class of insulation material acc. with UL94	V2
Color	Grey
Pollution degree	3
Operating temperature range min.	-40 °C
Operating temperature range max.	120 °C
Modular version	No

### Connection Data

Connection type	screw connection
Number of poles	24
Plus switching contacts	0
Number of pole for rated current 2	0
Number of pole for rated current 3	0
Total number of poles (without ground contact)	24
With wire protection	yes
Leiterquerschnitt starr (ein-/mehrdrähtig) Min.	0.5 mm <sup>2</sup>
Leiterquerschnitt starr (ein-/mehrdrähtig) Max.	4 mm <sup>2</sup>
Protective contact	yes

### Technical Data UL/CSA

Rated voltage according to UL/CSA	600 V
Rated current according UL	16 A
Rated current according CSA	16 A
Min. conductor cross section flexible wire	0.5 mm <sup>2</sup>
Max. conductor cross section flexible wire	4 mm <sup>2</sup>
Conductor cross section flexible AWG wire	20-12 AWG

### Model

With housing	No
--------------	----

Construction type	Short design (4 marking fields)
Position of protective conductor	Left

#### Contacts

Contact material	Copper alloy
Surface	Tin-plated
Wire strip length	12 mm
Contact resistance	≤ 3 mOhm

#### Screws head design/recomm. Torque

Mounting screws	H1/0.5-0.7 Nm
Clamping screws	M3/0.5-0.7 Nm Slot
Ground conductor screws	H2/1.2-1.6 Nm

#### Technical Data DIN EN 61984

Nominal voltage	500 V
Rated voltage face/ground	500 V
Nominal current	16 A
Rated impulse voltage	6 kV

#### Classification

ECLASS 11	
ECLASS 8.1	27440205
ETIM 7.0	EC000438
ETIM 6.0	EC000438
ETIM 5.0	EC000438
ETIM 4.0	EC000438
ETIM 3.0	EC000438

#### Product compliance

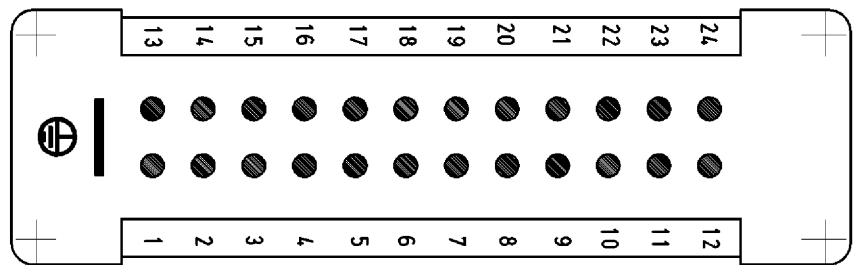
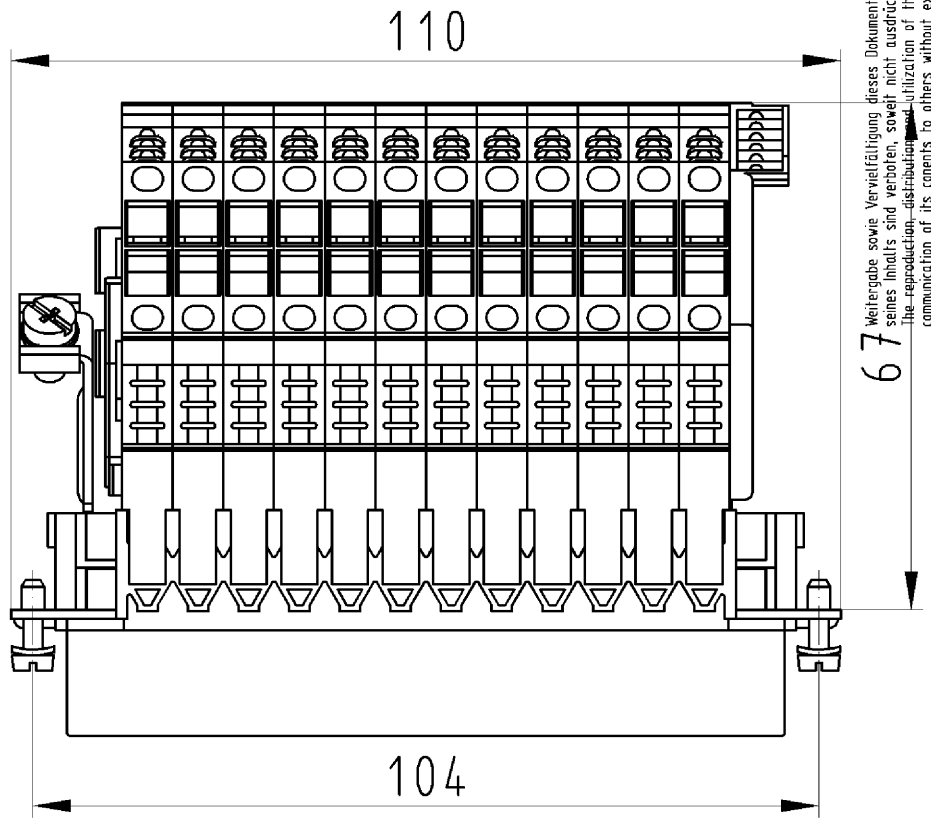
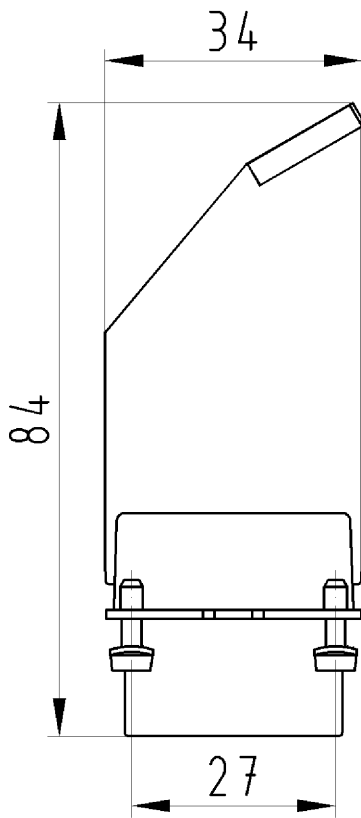
ROHS conformity status	Compliant/Exempted
ROHS exceptions	III-6(c)
REACH-SVHC conformity status	Duty-To-Declare
REACH-SVHC substances	Lead
REACH-SVHC CAS numbers	7439-92-1

#### Fits with

Commercial Art.No.:	Article-type description:	Description:
70.310.1602.0	Male insert BAS STS 16 2,5 50 AG	Male insert revos basic, 16-poles, rated current: 16A, rated voltage: 500V, with silver-plated contacts
70.310.1640.0	Male insert BAS STS 16 2,5 50	Male insert revos basic, 16-poles, rated current: 16A, rated voltage: 500V, with tin-plated contacts
70.311.1640.0	Male insert BAS STS 16 2,5 50 AU	Male insert revos basic, 16-poles, rated current: 16A, rated voltage: 500V, with gold-plated contacts
70.312.1640.0	Male insert BAS STS OD 16 2,5 50	Male insert revos basic, 16-poles, rated current: 16A, rated voltage: 500V, with tin-plated contacts
70.510.1653.0	Male insert BAS STF 16 2,5 50	Male insert revos basic, 16-poles, rated current: 16A, rated voltage: 500V, with tin-plated contacts

70.512.1653.0	Male insert BAS STM 16 2,5 50 AG	Male insert revos basic, 16-poles, rated current: 16A, rated voltage: 500V, with silver-plated contacts
70.710.1658.0	Male insert BAS STC 16 50	Male insert revos basic, 16-poles, rated current: 16A, rated voltage: 500V, with tin-plated contacts
71.320.2428.0	Bottom BAS GUT GK 24 A	Bottom-base revos basic made of aluminum, with single locking lever, open, low version, 24-poles
71.325.2428.0	Bottom BAS GUT GP 24 A	Bottom-base revos basic made of aluminum, with single locking lever, open, low version, 24-poles
71.330.2435.0	Bottom BAS GUT GL 24 M25 A0	Bottom-base revos basic made of aluminum, with single locking lever and cable gland M25 on the right and left side (IP54), low version, 24-polig
71.330.2435.1	Bottom BAS GUT GL 24 M25 A1	Bottom-base revos basic made of aluminum, with single locking lever and threaded hole M25 on the right and left side, low version, 24-polig
71.331.2435.0	Bottom BAS GUT GM 24 M25 A0	Bottom-base revos basic made of aluminum, with single locking lever and cable gland M25 on the left side (IP54), low version, 24-polig
71.331.2435.1	Bottom BAS GUT GM 24 M25 A1	Bottom-base revos basic made of aluminum, with single locking lever and threaded hole M25 on the left side, low version, 24-polig
71.333.2435.0	Bottom BAS GUT GO 24 M25 A0	Bottom-base revos basic made of aluminum, with single locking lever and cable gland M25 on the bottom (IP54), low version, 24-polig
71.333.2435.1	Bottom BAS GUT GO 24 M25 A1	Bottom-base revos basic made of aluminum, with single locking lever and threaded hole M25 on the bottom, low version, 24-polig
71.340.2435.0	Bottom BAS GUT GR 24 M25 A0	Bottom-base revos basic made of aluminum, with single locking lever and cable gland M25 on the right and the left side, with protective cover (IP54), low version, 24-polig
71.340.2435.1	Bottom BAS GUT GR 24 M25 A1	Bottom-base revos basic made of aluminum, with single locking lever and threaded hole M25 on the right and the left side, with protective cover, low version, 24-polig
71.341.2435.0	Bottom BAS GUT GS 24 M25 A0	Bottom-base revos basic made of aluminum, with single locking lever and cable gland M25 on the left side, with protective cover (IP54), low version, 24-polig
71.341.2435.1	Bottom BAS GUT GS 24 M25 A1	Bottom-base revos basic made of aluminum, with single locking lever and threaded hole M25 on the left side, with protective cover, low version, 24-polig
71.342.2435.0	Bottom BAS GUT GT 24 M25 A0	Bottom-base revos basic made of aluminum, with single locking lever and cable gland M25 on the right side, with protective cover (IP54), low version, 24-polig
71.342.2435.1	Bottom BAS GUT GT 24 M25 A1	Bottom-base revos basic made of aluminum, with single locking lever and threaded hole M25 on the right side, with protective cover, low version, 24-polig
71.343.2435.0	Bottom BAS GUT GU 24 M25 A0	Bottom-base revos basic made of aluminum, with single locking lever and cable gland M25 on the bottom, with protective cover (IP54), low version, 24-polig
71.343.2435.1	Bottom BAS GUT GU 24 M25 A1	Bottom-base revos basic made of aluminum, with single locking lever and threaded hole M25 on the bottom, with protective cover, low version, 24-polig
70.320.2428.0	Bottom BAS GUT GA 24 A	Bottom-base revos basic made of aluminum, with double locking lever or screw cap, low version, 24-poles
70.325.2428.0	Bottom BAS GUT GE 24 A	Bottom-base revos basic made of aluminum, for double locking lever and protective cover, open, low version, 24-poles
70.330.2435.0	Bottom BAS GUT GB 24 M25 A0	Bottom-base revos basic made of aluminum, with double locking lever or screw cap with cable gland M25 on the right and left side (IP54), low version, 24-polig
70.330.2435.1	Bottom BAS GUT GB 24 M25 A1	Bottom-base revos basic made of aluminum, with double locking lever or screw cap with threaded hole M25 on the right and left side, low version, 24-polig

70.331.2435.0	Bottom BAS GUT GC 24 M25 A0	Bottom-base revos basic made of aluminum, with double locking lever or.screw cap with cable gland M25 on the left side (IP54), low version, 24-polig
70.331.2435.1	Bottom BAS GUT GC 24 M25 A1	Bottom-base revos basic made of aluminum, with double locking lever or.screw cap with threaded hole M25 on the left side, low version, 24-polig
70.333.2435.0	Bottom BAS GUT GD 24 M25 A0	Bottom-base revos basic made of aluminum, with double locking lever or.screw cap with cable gland M25 on the right side (IP54), low version, 24-polig
70.333.2435.1	Bottom BAS GUT GD 24 M25 A1	Bottom-base revos basic made of aluminum, with double locking lever or.screw cap with threaded hole M25 on the right side, low version, 24-polig
70.340.2435.0	Bottom BAS GUT GF 24 M25 A0	Bottom-base revos basic made of aluminum, for double locking lever withcable gland M25 on the left and right side, with protective cover (IP54), low version, 24-polig
70.340.2435.1	Bottom BAS GUT GF 24 M25 A1	Bottom-base revos basic made of aluminum, for double locking lever withthreaded hole M25 on the left and right side, with protective cover, low version, 24-polig
70.341.2435.0	Bottom BAS GUT GG 24 M25 A0	Bottom-base revos basic made of aluminum, with double locking lever andcable gland M25 on the left side, with protective cover (IP54), low version, 24-polig
70.341.2435.1	Bottom BAS GUT GG 24 M25 A1	Bottom-base revos basic made of aluminum, with double locking lever andthreaded hole M25 on the left side, with protective cover, low version,24-polig
70.342.2435.0	Bottom BAS GUT GH 24 M25 A0	Bottom-base revos basic made of aluminum, with double locking lever andcable gland M25 on the right side, with protective cover (IP54), low version, 24-polig
70.342.2435.1	Bottom BAS GUT GH 24 M25 A1	Bottom-base revos basic made of aluminum, with double locking lever andthreaded hole M25 on the right side, with protective cover, low version, 24-polig
70.343.2435.0	Bottom BAS GUT GI 24 M25 A0	Bottom-base revos basic made of aluminum, with double locking lever andcable gland M25 on the bottom, with protective cover (IP54), low version, 24-polig
70.343.2435.1	Bottom BAS GUT GI 24 M25 A1	Bottom-base revos basic made of aluminum, with double locking lever andthreaded hole M25 on the bottom, with protective cover, low version, 24-polig
70.415.1653.0	Male insert BAS STP 16 2,5 50 AG	Male insert revos basic, 16-poles, rated current: 16A, rated voltage: 500V, with silver-plated contacts
70.310.2440.0	Male insert BAS STS 24 2,5 50	Male insert revos basic, 24-poles, rated current: 16A, rated voltage: 500V, with tin-plated contacts
70.311.2440.0	Male insert BAS STS 24 2,5 50 AU	Male insert revos basic, 24-poles, rated current: 16A, rated voltage: 500V, with gold-plated contacts
70.312.2440.0	Male insert BAS STS OD 24 2,5 50	Male insert revos basic, 24-poles, rated current: 16A, rated voltage: 500V, with tin-plated contacts
70.510.2453.0	Male insert BAS STF 24 2,5 50	Male insert revos basic, 24-poles, rated current: 16A, rated voltage: 500V, with tin-plated contacts
70.512.2453.0	Male insert BAS STM 24 2,5 50 AG	Male insert revos basic, 24-poles, rated current: 16A, rated voltage: 500V, with silver-plated contacts
70.710.2458.0	Male insert BAS STC 24 50	Male insert revos basic, 24-poles, rated current: 16A, rated voltage: 500V, with tin-plated contacts
70.415.2453.0	Male insert BAS STP 24 2,5 50 AG	Male insert revos basic, 24-poles, rated current: 16A, rated voltage: 500V, with silver-plated contacts



67 Weitergabe sowie Vervielfältigung dieses Dokuments, Verwertung und Mitteilung seines Inhalts sind verboten, soweit nicht ausdrücklich gestattet. Die Reproduktion, Distribution und Nutzung dieses Dokuments sowie die Kommunikation seiner Inhalte mit anderen ohne ausdrückliche Genehmigung ist untersagt.

Zeichnungsnummer  
70.100.2453.410W  
Buchsenadapter

Buchsenadapter  
70.100.2453.4

12.11.2007  
Hollet Florian  
M 1:1