

DETAILS

Product Number	CA10914_STRADA-B
Family	Strada-B
Type	Assembly
Color	clear
Diameter	19,6 + 15,5 mm
Height	6,4 mm
Style	rectang
Optic Material	PMMA
Holder Material	
Fastening	tape, screw
Status	production ready
ROHS Compliant	Yes
Date Updated	17/11/2015



OPTICAL PROPERTIES

LED	Viewing Angle	Light Beam	Efficiency	cd/lm	Connector
XM-L	103+56 deg	Streetligh...	85 %	0.530	-
Golden Dragon+	106+54 deg	Streetligh...	93 %	0.720	-

D

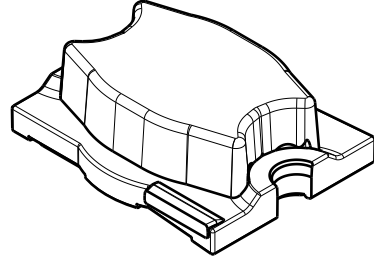
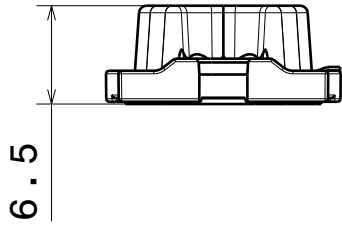
C

B

A

4

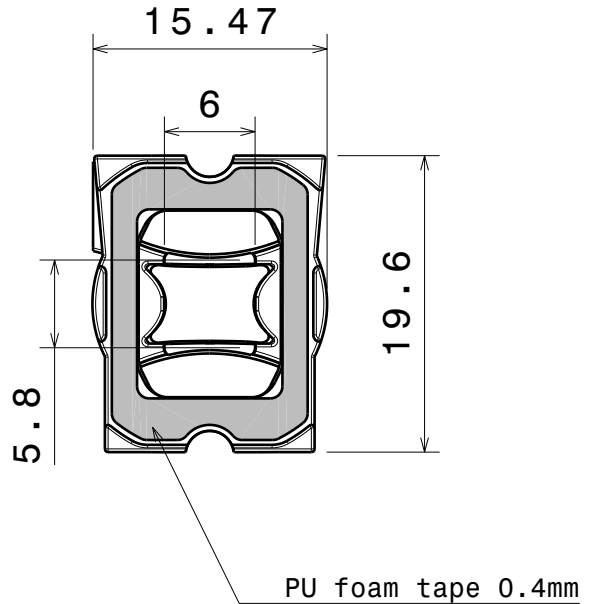
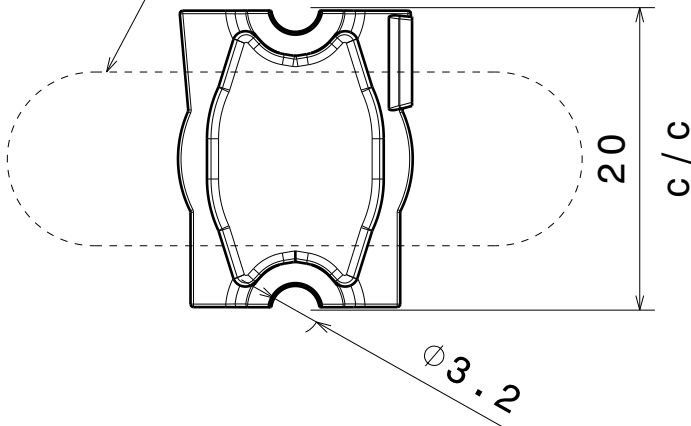
4



3

3

Beam direction



2

2

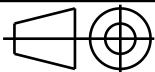
INDEX	PART NO	DESCRIPTION	MATERIAL	COLOUR
1	C10908	STRADA-B	PMMA	

Tolerances if not otherwise shown
According to DIN ISO 2768-1
Linear measures:
up to 30mm class M, otherwise class C
According to DIN ISO 2768-2
Form and position: class L

LEDiL

Ledil Oy
Salorankatu 10
FIN 24240 SALO
Finland

THIRD ANGLE PROJECTION:



DRAWING TITLE

CA10914_STRADA-B

This drawing is the property
of LEDiL Oy. It may not be
reproduced, copied or
communicated without a written
agreement with LEDiL Oy.

SIZE PART NUMBER

A4

CA10914

SCALE	1:1	WEIGHT	1 g	SHEET	1/1
-------	-----	--------	-----	-------	-----

1

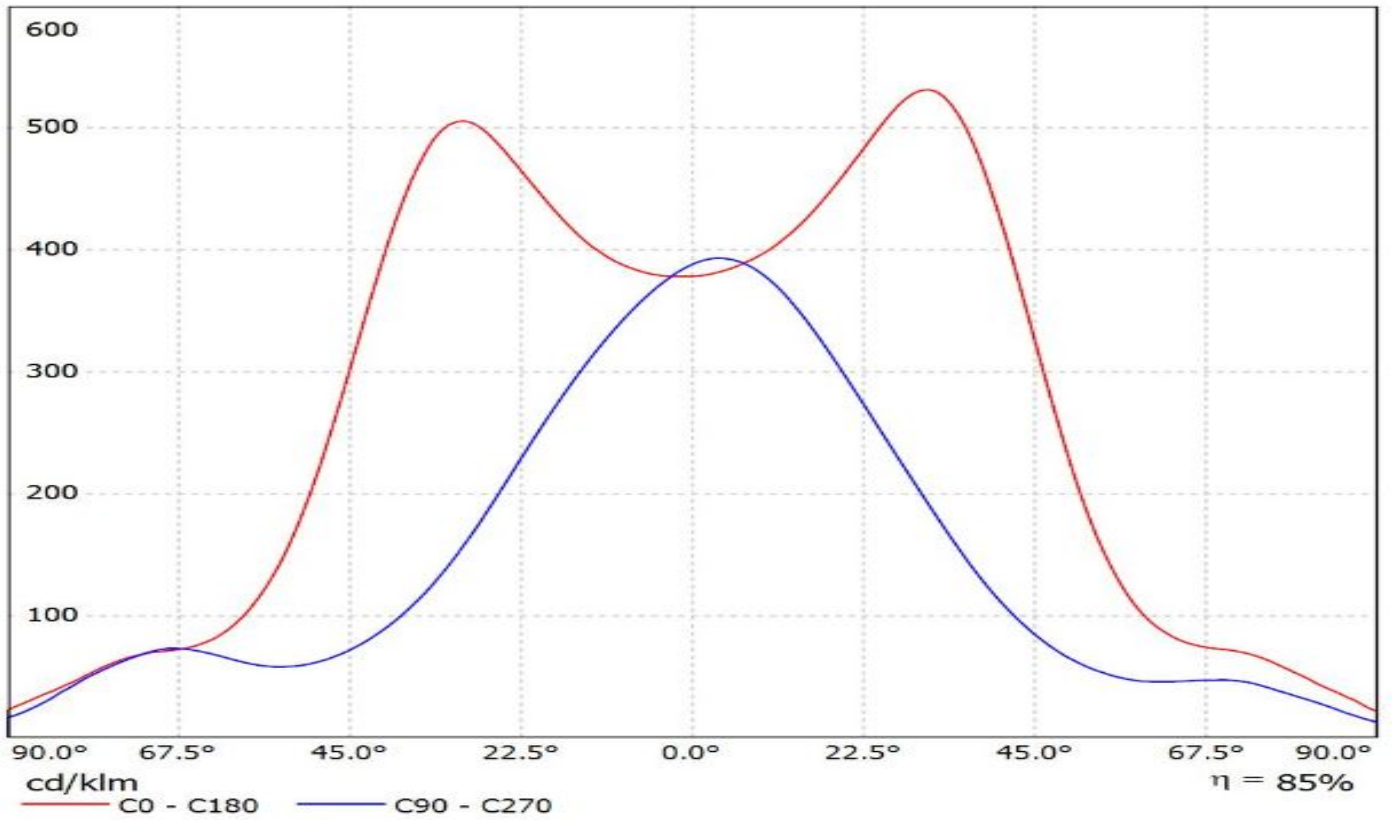
1

D

A

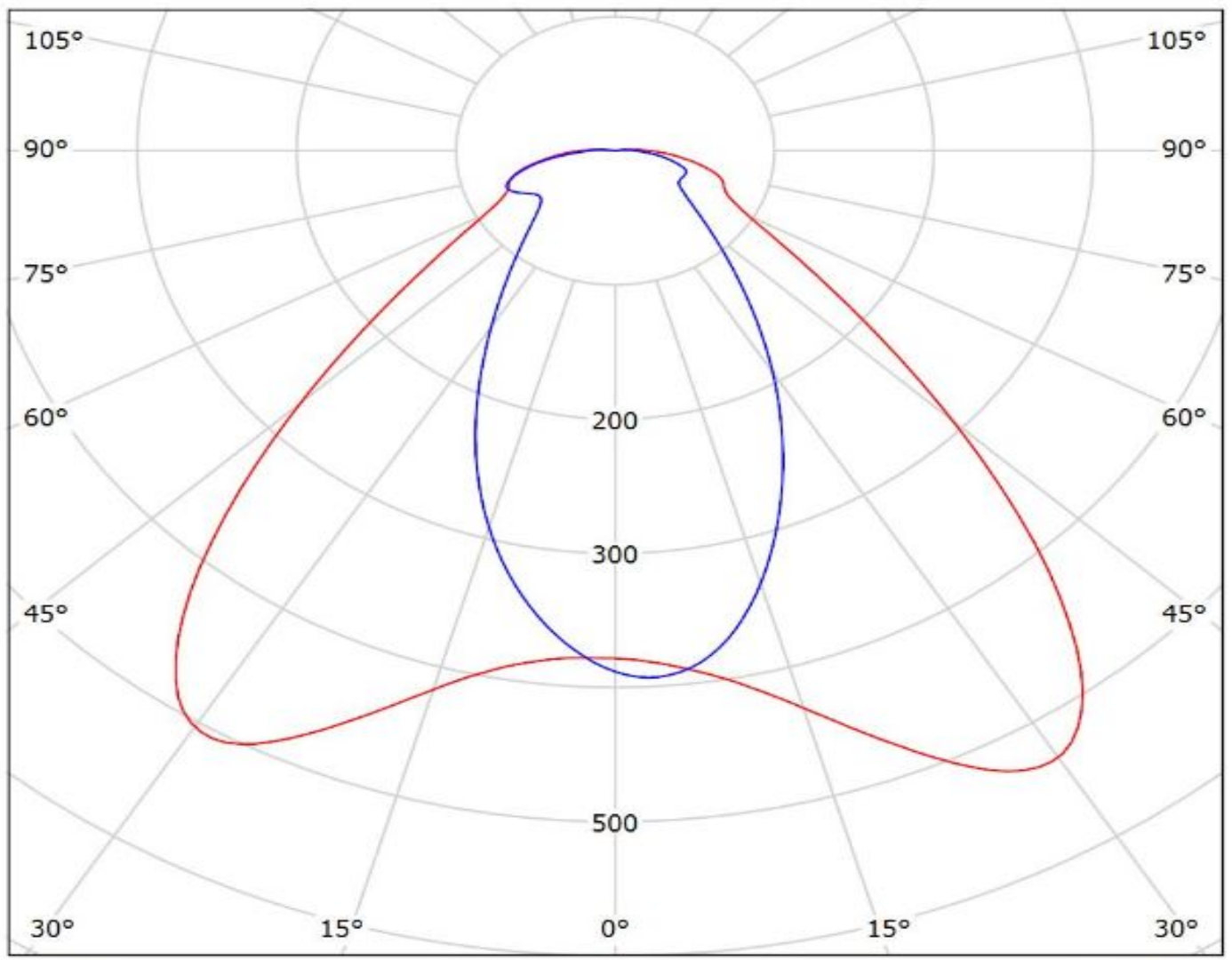
Ledil CA10914_STRADA-B_(XM-L) / LDC (Linear)

Luminaire: Ledil CA10914_STRADA-B_(XM-L)
Lamps: 1 x Cree_XM-L_(XMLAWT-00-0000-0000T6051)
_102.237lm@250mA_CCT=8850K_P=0.7W_I=0.25A



Ledil CA10914_STRADA-B_(XM-L) / LDC (Polar)

Luminaire: Ledil CA10914_STRADA-B_(XM-L)
Lamps: 1 x Cree_XM-L_(XMLAWT-00-0000-0000T6051)
_102.237lm@250mA_CCT=8850K_P=0.7W_I=0.25A



cd/klm
— C0 - C180 — C90 - C270

$\eta = 85\%$

NOTE: The typical divergence will be changed by different color, chip size and chip position tolerance. The typical total divergence is the full angle measured where the luminous intensity is half of the peak value.