

## Data sheet

Commercial Art.No.: 56.503.9055.0

Earth terminal WK 2,5 SL/35

Ground terminal with Screw connection for mounting on TS 35/7,5 mm, nominal cross section: 2.5 mm<sup>2</sup>, width: 5 mm, color: Green-yellow



Commercial Art.No.	56.503.9055.0
EAN	4015573713635
Order Unit	100

Certificates / Approvals



USA-Ex

## Technical data

### General

Nominal cross section	2.5 mm <sup>2</sup>
Color	Green/yellow
Number of levels	1
Number of clamp positions per level	2
Width/grid dimension	5 mm
Insulating housing	PA666
Inflammability class of insulation material acc. with UL94	V0
Mounting method	DIN rail (top hat rail) 35/7.5 mm
Terminal blocks for electrical installations	yes

### Technical data

Rated voltage	500 V
Rated impulse voltage	6 kV
Pollution degree	3
Closing plate required	yes
Type of insulation material	Thermoplastic
Length	48.6 mm

### Connection Data

Connection type 1	screw connection
Connection type 2	screw connection
Minimum cross section solid	0.5 mm <sup>2</sup>

Maximum cross section solid	4 mm <sup>2</sup>
Minimum cross section fine stranded	0.5 mm <sup>2</sup>
Maximum cross section fine stranded	2.5 mm <sup>2</sup>
Wire strip length	9 mm
Torque conductor mounting	0.5 Nm
Torque rail mounting	0,5

#### Technical Data UL/CSA

Cross section UL	22-12 AWG
Cross section CSA	24-12 AWG

#### Classification

ECLASS 11	
ECLASS 8.1	27141141
ETIM 7.0	EC000901
ETIM 6.0	EC000901
ETIM 5.0	EC000901
ETIM 4.0	EC000901
ETIM 3.0	EC000901

#### Product compliance

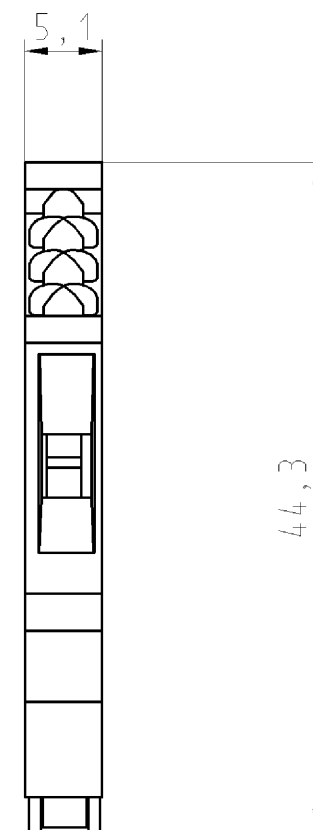
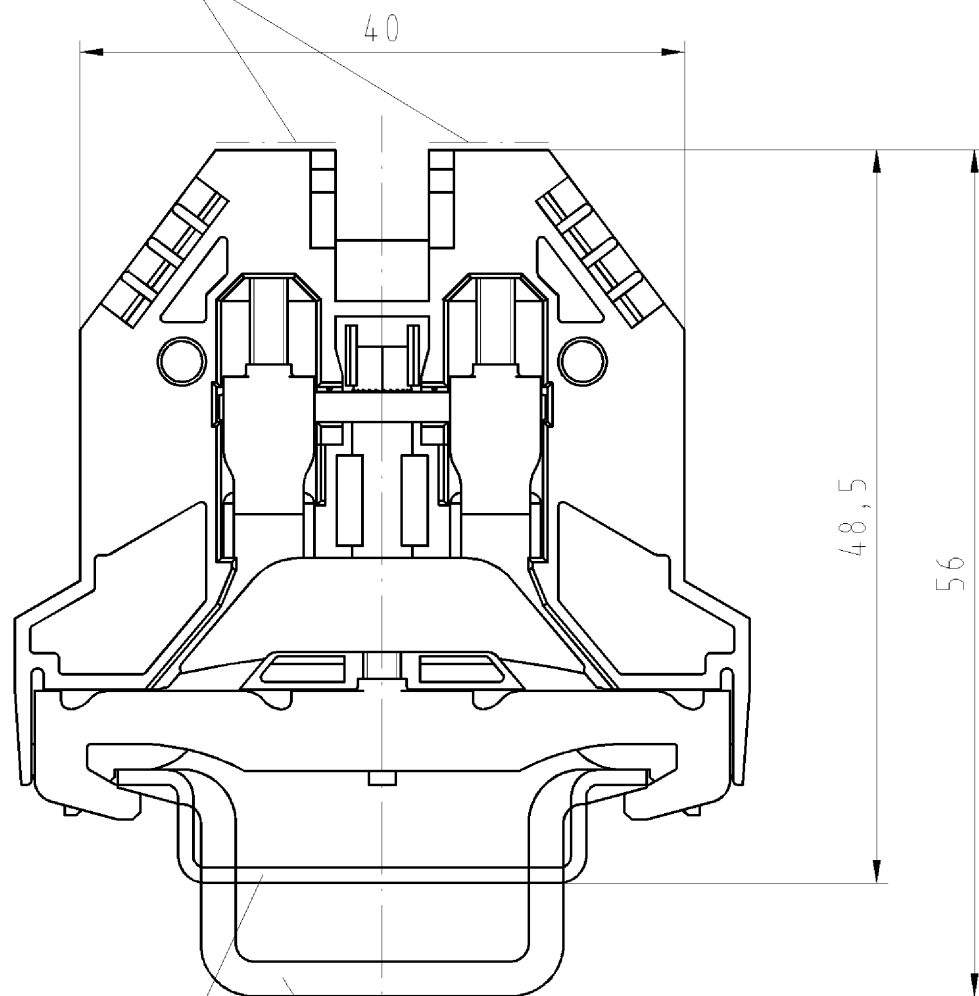
ROHS conformity status	Compliant/Exempted
ROHS exceptions	III-6(c)
REACH-SVHC conformity status	Duty-To-Declare
REACH-SVHC substances	Lead
REACH-SVHC CAS numbers	7439-92-1

#### Accessories

Commercial Art.No.:	Article-type description:	Description:
98.300.0000.0	Mounting rail TS 35x7,5 UNPERF - l:2000mm	Mounting rail TS 35, unslotted, size 7,5 mm, length 2 m, material steel. galv. zinc-plated and dichromated
98.300.1000.0	Mounting rail TS 35x7,5 PERF 15mm - l:2000mm	Mounting rail TS 35, slotted, size 7,5 mm, length 2 m, material steel. galv. zinc-plated and dichromated
98.300.1900.0	Mounting rail TS 35x7,5 PERF 25mm - l:2000mm	Mounting rail TS 35, slotted, size 7,5 mm, length 2 m, material steel. galv. zinc-plated and dichromated
98.360.0000.0	Mounting rail TS 35x15-2,3 UNPERF - l:2000mm	Mounting rail TS 35, unslotted, size 15 mm, length 2 m, material steel. galv. zinc-plated and dichromated
98.360.0004.0	Mounting rail TS 35x15-2,3 UNPERF FZN - l:2000mm	Mounting rail TS 35, unslotted, size 15 mm, length 2 m, material steel, hot galvanized
98.370.0000.0	Mounting rail TS 35x15 UNPERF - l:2000mm	Mounting rail TS 35, unslotted, size 15 mm, length 2 m, material steel. galv. zinc-plated and dichromated
98.370.1000.0	Mounting rail TS 35x15 PERF 15mm - l:2000mm	Mounting rail TS 35, slotted, size 15 mm, length 2 m, material steel. galv. zinc-plated and dichromated
98.380.0000.0	Mounting rail TS 35x15-2,3 UNPERF CU - l:2000mm	Mounting rail TS 35, unslotted, size 15 mm, length 2 m, material E copper
07.311.7155.0	End plate AP 2,5-4 SL	End plate for DIN rail terminal blocks type WK 2,5-4..., color: grey
Z7.280.0227.0	Jumper bar VB WK 2,5 - 2	Cross connector for DIN rail terminal blocks type WK 2.5, 2 -pole
Z7.280.0327.0	Jumper bar VB WK 2,5 - 3	Cross connector for DIN rail terminal blocks type WK 2.5, 3 -pole
Z7.280.0427.0	Jumper bar VB WK 2,5 - 4	Cross connector for DIN rail terminal blocks type WK 2.5, 4 -pole
Z7.280.0527.0	Jumper bar VB WK 2,5 - 5	Cross connector for DIN rail terminal blocks type WK 2.5, 5 -pole

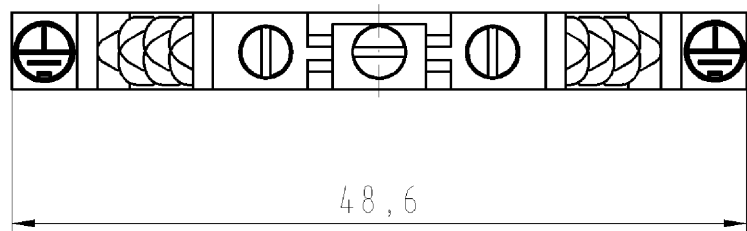
Z7.280.0627.0	Jumper bar VB WK 2,5 - 6	Cross connector for DIN rail terminal blocks type WK 2.5, 6 -pole
Z7.280.2227.0	Insulated jumper bar IVBWK 2,5 - 2	Cross connector, insulated for DIN rail terminal blocks type WK ..., 2 -pole
Z7.280.2327.0	Insulated jumper bar IVBWK 2,5 - 3	Cross connector, insulated for DIN rail terminal blocks type WK ..., 3 -pole
Z7.280.2427.0	Insulated jumper bar IVBWK 2,5 - 4	Cross connector, insulated for DIN rail terminal blocks type WK ..., 4 -pole
Z7.280.2527.0	Insulated jumper bar IVBWK 2,5 - 5	Cross connector, insulated for DIN rail terminal blocks type WK ..., 5 -pole
Z7.280.2627.0	Insulated jumper bar IVBWK 2,5 - 6	Cross connector, insulated for DIN rail terminal blocks type WK ..., 6 -pole
Z7.280.2727.0	Insulated jumper bar IVBWK 2,5 - 7	Cross connector, insulated for DIN rail terminal blocks type WK ..., 7 -pole
Z7.280.2827.0	Insulated jumper bar IVBWK 2,5 - 8	Cross connector, insulated for DIN rail terminal blocks type WK ..., 8 -pole
Z7.280.2927.0	Insulated jumper bar IVBWK 2,5 - 9	Cross connector, insulated for DIN rail terminal blocks type WK ..., 9 -pole
Z7.280.3027.0	Insulated jumper bar IVBWK 2,5 -10	Cross connector, insulated for DIN rail terminal blocks type WK ..., 10 -pole
Z7.280.3127.0	Insulated jumper bar IVBWK 2,5 -11	Cross connector, insulated for DIN rail terminal blocks type WK ..., 11 -pole
Z7.280.3227.0	Insulated jumper bar IVBWK 2,5 -12	Cross connector, insulated for DIN rail terminal blocks type WK ..., 12 -pole
98.300.1800.0	Mounting rail TS 35x7,5 PERF 18mm - l:2000mm	Mounting rail TS 35, slotted, size 7,5 mm, length 2 m, material steel. galv. zinc-plated and dichromated
04.242.5053.0	Marking tag strips 9705 A / 5 / 10	Marking tag strips for DIN rail terminal blocks type 9700 A / 5..., 10 tags per strip, color: blue, unmarked, markable with Wieplot plotter-system

Diese Flächen gelb gekennzeichnet  
this area yellow marked



Tragschiene/mounting rail  
35x27x7,5  
EN 60715

Tragschiene/mounting rail  
35x24x15  
EN 60715



Auslieferungszustand: Klemmfuß voll ausgefahren  
delivery condition: mounting foot complete opened

\* spezielle Verpackung / special packaging

Teile-Nr. part-no.	Farbe colour	Typ type
56.503.9055.0	grün/green	WK 2,5 SL/35
* 56.503.9095.0	grün/green	WK 2,5 SL/35

Weitere Daten siehe Katalog  
further data see catalog

Tolerierung nach DIN 7167/Tolerance system acc. to DIN 7167. (This DIN-standard describes the envelope principle. According to the envelope principle the deviations of form and parallelism are limited by the size tolerances).				ja/yes <input checked="" type="checkbox"/> Stoffverbots- und Deklarationsliste nach UU-TQM-05/03 ist einzuhalten. Conformity with Wieland document UU-TQM-05/03 (list of prohibited / declarable hazardous substances) to be declared!			
Freitoleranz nach General tolerance		CAD - Zeichnung, keine manuellen Änderungen CAD - drawing, no manual modifications allowed		1. Verwendung: First Use:		Blatt: 1 von 1 Sheet: of 1	
/		Werkstoff/Material		2006 Tag/Date Name		Zeichnung Nr./Drawing No. Index	
/		-		30.10. Dütsch T.		T 56.503.9055.0 01K	
/ Maßstab/Scale		2:1		gezeichnet drawn		Maße in mm/Dimensions are in mm	
/		Vol. mm <sup>3</sup> Öl./Surf. mm <sup>2</sup>		geprüft checked			
/				Nichtgepr. Stand. check			
/		Ersatz für/Replacement for: -		Type		Benennung/Title	
/		wieland		Type		EARTH TERMINAL SCHUTZLEIT_KLEMME	
/		Elektrische Verbindungen		Type		WK 2,5 SL / 35	
Index Datum / Blatt Date / Sheet		Änderung/Revision					

Weitergabe sowie Vervielfältigung dieses Dokuments, Verwertung und Mitteilung seines Inhalts sind verboten, soweit nicht ausdrücklich gestattet.  
The reproduction, distribution and utilization of this document as well as the communication of its contents to others without express authorization is prohibited.

565039055001K\_4\_CADW1043.dwg 2006-10-31 10:30:42 1.000