



# SPECIFICATION FOR APPROVAL



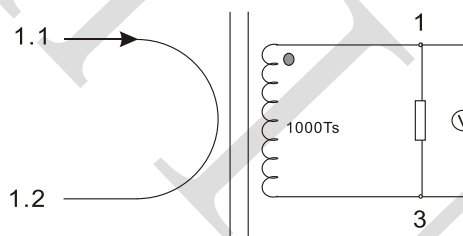
CUSTOMER P/N	AC1075	SHINHOM P/N	ACST3816-75A-75mA
HUMIDITY	(20°C) 48%	DATE	2018-08-24
NAME	Current transformer		

## ELECTRICAL SPECIFICATION @25°C

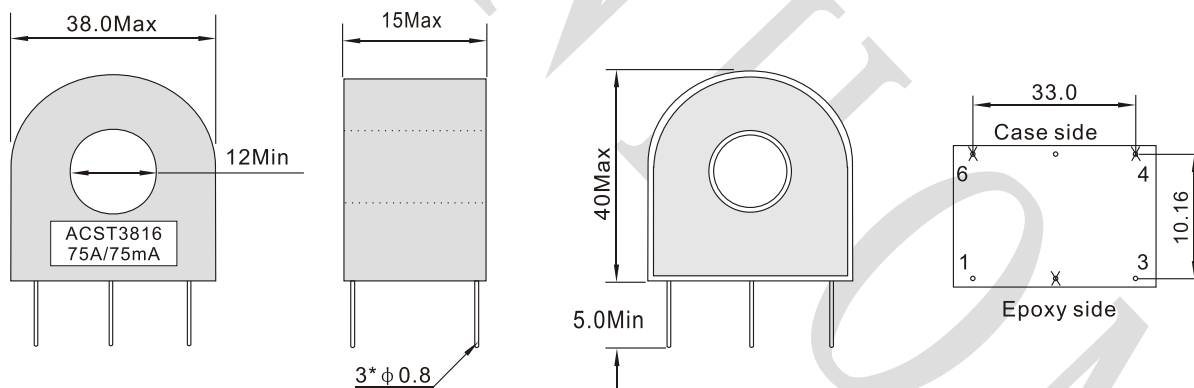
Working frequency 50Hz/60Hz  
 Ambient temperature: -25~+125°C  
 Storage temperature : -25~+85°C

Input Current	Transfer Ratio	Linearity	Sampling Resistance	Phase-Shifting	Dielectric Strength	DCR
75 A	1:1000	≤0.1%	100 Ω	≤5°	4.0KV/1mA	22 Ω ±15%

## SCHEMATIC:



## CONSTRUCTIONS & DIMENSION: (UNIT: mm)



## LIST OF CONSTRUCTION:

NO	MATERIAL	MATERIAL SPE	CLASS	MANUFACTURES/SUPPLIER
1	85%NI alloy core	T31X19X8		YEKE ELECTRONIC MATERIALS CO.,LTD
2	COPPER WIRE	1UEW	155°C	CHANGZHOU XMYAO ELECTRONIC CO.,LTD
3	PBT HOUSING	PBT 4130		CHANGCHUN CO., LTD
4	Potting Compound	CQ 18P-A	130°C	SPARK TECNOLOGY INDUSTRIAL INC.
5	Pin wire	UL1007-20AWG	125°C	SHENZHEN,

Professional

Quality

Good Faith