

Data sheet

Commercial Art.No.: 70.331.1036.0

Bottom EX GUT GC10 M20 09IA Z0

Bottom-base revos Ex made of zinc, with double locking lever or. screw cap with cable gland M20 on the left side (IP54), low version, 10-polig, explosion-tested version



| | |
|--------------------|---------------|
| Commercial Art.No. | 70.331.1036.0 |
| EAN | 4015573739949 |
| Order Unit | 1 |

Certificates / Approvals



Technical data

General

| | |
|----------------------------------|---------------------|
| Housing material | Die-cast zinc |
| Color | Blue |
| Surface | With powder coating |
| Degree of protection (IP) | IP54 |
| Operating temperature range min. | -20 °C |
| Operating temperature range max. | 60 °C |

Model

| | |
|------------------------|-----------------------|
| Construction | 10 |
| Model of the housing | female |
| Locking mechanism | Double locking levers |
| Cable entry | Sideways |
| Type of cable | Gland nut |
| With cable screw gland | yes |
| Thread size M | 20 |
| Thread size PG | |
| EMC-version | No |
| Length | 84 mm |
| Width | 52 mm |
| Height | 55 mm |

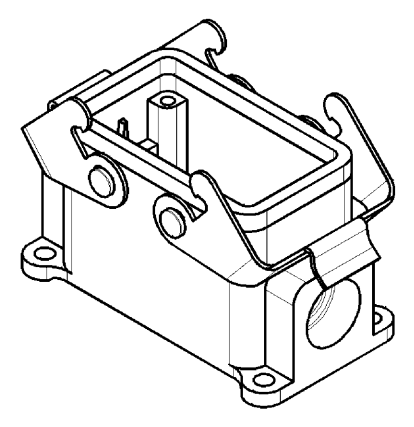
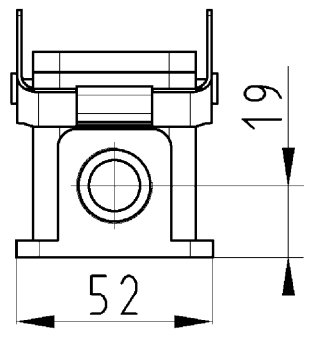
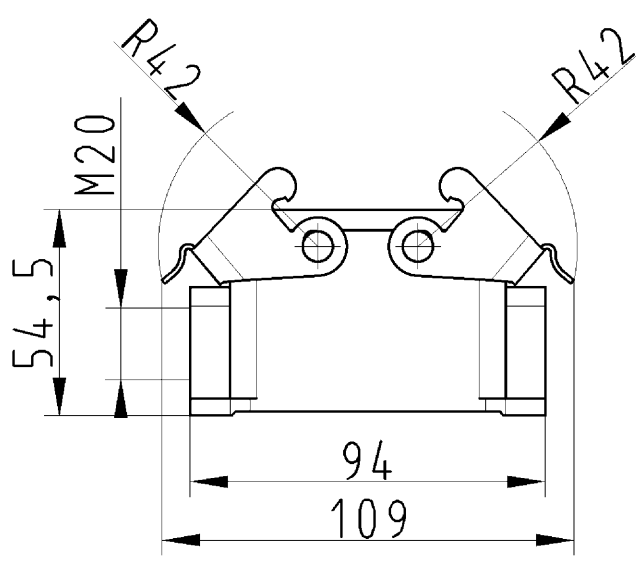
Classification

| | |
|-----------|--|
| ECLASS 11 | |
|-----------|--|

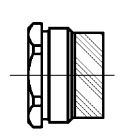
| | |
|------------|----------|
| ECLASS 8.1 | 27440202 |
| ETIM 7.0 | EC000437 |
| ETIM 6.0 | EC000437 |

Product compliance

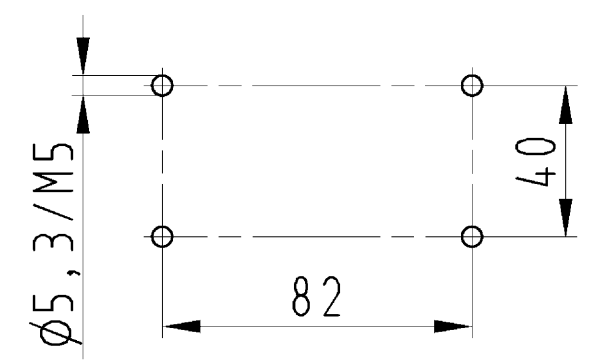
| | |
|------------------------------|--------------------|
| ROHS conformity status | Compliant/Exempted |
| ROHS exceptions | III-6(c) |
| REACH-SVHC conformity status | Duty-To-Declare |
| REACH-SVHC substances | Lead |
| REACH-SVHC CAS numbers | 7439-92-1 |



Varianten/Variants
.0



Bohrbild
/Cut out



| | | | |
|--|--------------------------|---|----------------------------|
| 70.331.1036.1 | EX GUT GC 10 M20 091A Z1 | Gewindebohrung /Thread hole | X |
| 70.331.1036.0 | EX GUT GC 10 M20 091A Z0 | Kabelverschraubung(KV), IP54 montiert /Cable gland(CG), IP54 assembled | |
| Bestellnummer /Order number | Typ /Type | Varianten /Variants | dar- gestellt /drawn |
| Weitere Daten siehe KATALOG oder eKatalog. Additional data see CATALOG or eCatalog. | | www.wieland-electric.com eshop.wieland-electric.com | |

| | | | |
|---|-------------------------------|---|---|
| Tolerierung Size ISO 14405 (T) / Tolerance system Size ISO 14405 (T). (This ISO-standard describes the envelope principle. According to the envelope principle the deviations of form and parallelism are limited by the size tolerances). | | ja/yes <input checked="" type="checkbox"/> Stoffverbots- und Deklarationsliste nach UU-TOM-05/03 ist einzuhalten. Conformity with Wieland document UU-TOM-05/03 (list of prohibited / declarable hazardous substances) to be declared! | |
| Freitoleranz nach General tolerance | | CAD - Zeichnung, keine manuellen Änderungen CAD - drawing, no manual modifications allowed | 1. Verwendung: - First Use: |
| Blatt: 1 von 1 Sheet: of 1 | | Zeichnung Nr./Drawing No. Index | |
| T 70.331.1036.0 13K | | Maße in mm/Dimensions are in mm | |
| Werkstoff/Material Zinkdruckguß/zinc beschichtet/coated blau/blue | | 2013 gezeichnet drawn 06.12. geprüft checked Normgepr. Stand. check | Name Schmitt J. |
| Vol. mm ³ / Ofl./Surf. mm ² | | Ersatz für/Replacement for: - | |
| wieland Elektrische Verbindungen | | Type EX GUT GC 10M20 091A | Benennung/Titel GEHAEUSEUNTERTEIL Baugröße 10-Kabelabgang 1x M20 links Housing size 10 cable outlet 1xM20 left |
| Index | Datum / Blatt Date / Sheet | Änderung/Revision | |

These dimensions will be especially checked at delivery
Only inspection dimensions
With /E marked dimensions are only valid for internal use

Diese Maße werden bei Abnahme besonders geprüft
Ausschließlich Prüfmaße
Mit /E gekennzeichnete Maße sind nur für interne Zwecke gültig

Weitergabe sowie Vervielfältigung dieses Dokuments, Verwertung und Mitteilung seines Inhalts sind verboten, soweit nicht ausdrücklich gestattet.
The reproduction, distribution and utilization of this document as well as the communication of its contents to others without express authorization is prohibited.

703311036013K_2_CADW3029_Schmitt_2013-12-09108:47:47_1.000