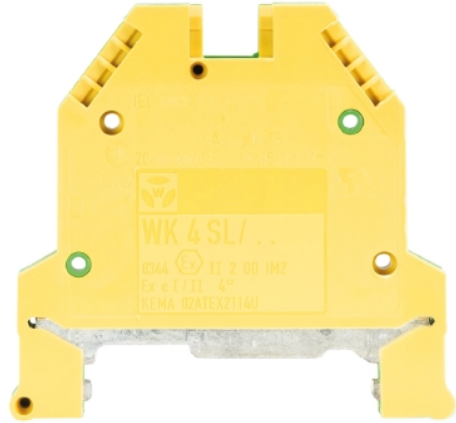


## Data sheet

Commercial Art.No.: 57.504.9055.0

Earth terminal WK 4 SL

Ground DIN rail terminal block with screw connection for mounting on TS 35, nominal cross section 4 mm<sup>2</sup>, width 6 mm, color green/yellow



Commercial Art.No.	57.504.9055.0
EAN	4015573458628
Order Unit	100

Certificates / Approvals



**CAN-Ex**



**ATEX**



**USA-Ex**

## Technical data

### General

Nominal cross section	4 mm <sup>2</sup>
Color	Green/yellow
Number of levels	1
Number of clamp positions per level	2
Width/grid dimension	6 mm
Insulating housing	PA666
Inflammability class of insulation material acc. with UL94	V0
Explosion-tested version "Ex e"	yes
Mounting method	TS35
Terminal blocks for electrical installations	yes

### Technical data

Rated voltage	800 V
Rated impulse voltage	8 kV
Pollution degree	3
Closing plate required	No
Type of insulation material	Thermoplastic
Length	51 mm

### Connection Data

Connection type 1	screw connection
Connection type 2	screw connection

Minimum cross section solid	0.5 mm <sup>2</sup>
Maximum cross section solid	6 mm <sup>2</sup>
Minimum cross section fine stranded	0.5 mm <sup>2</sup>
Maximum cross section fine stranded	4 mm <sup>2</sup>
Wire strip length	9 mm
Torque conductor mounting	0.5 Nm
Torque rail mounting	0,5

#### Technical Data UL/CSA

Cross section UL	22-10 AWG
Cross section CSA	20-10 AWG

#### Classification

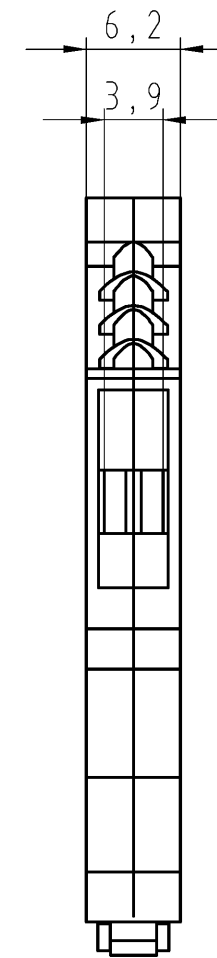
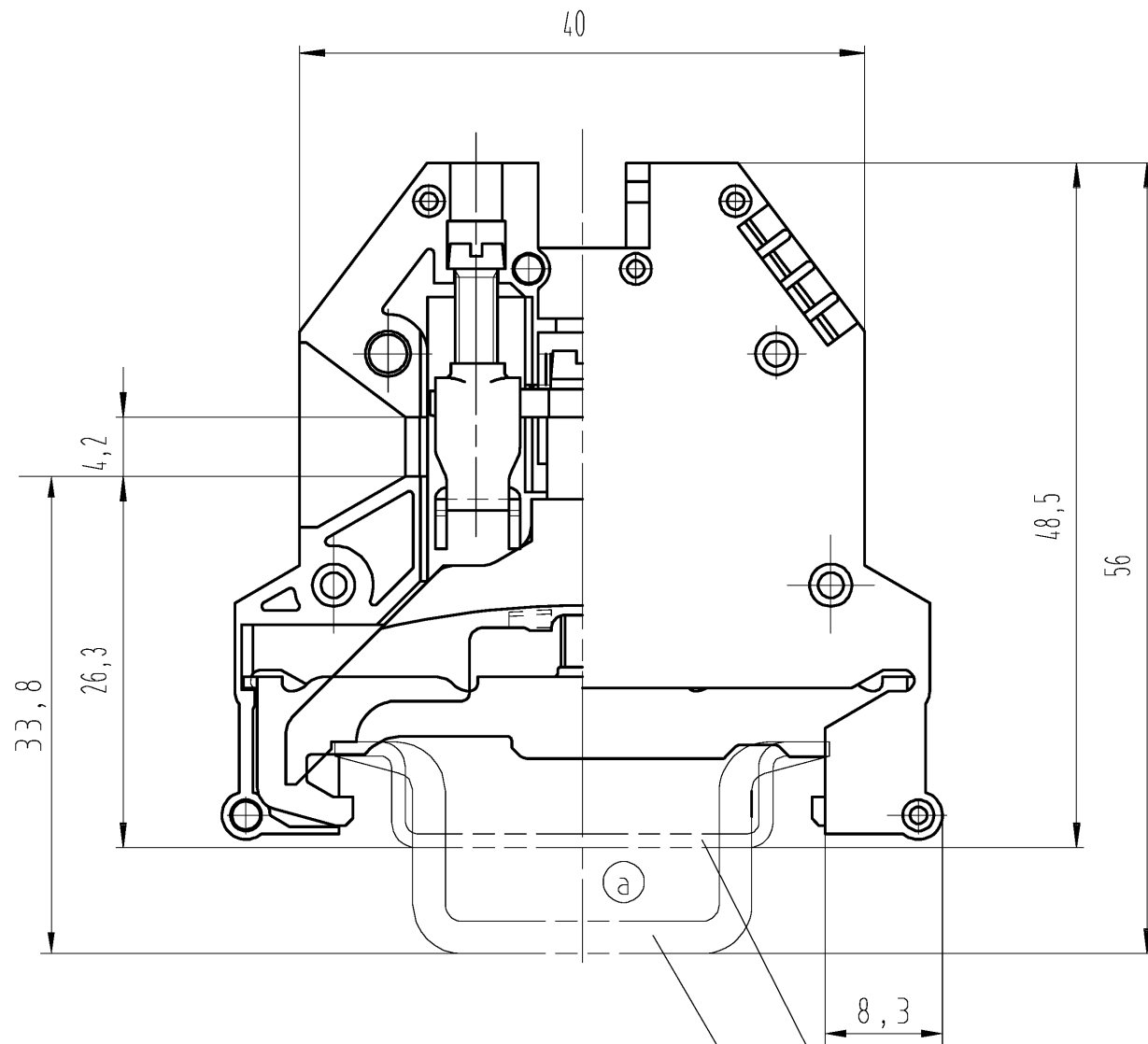
ECLASS 11	
ECLASS 8.1	27141141
ETIM 7.0	EC000901
ETIM 6.0	EC000901
ETIM 5.0	EC000901
ETIM 4.0	EC000901
ETIM 3.0	EC000901

#### Product compliance

ROHS conformity status	Compliant/Exempted
ROHS exceptions	III-6(c)
REACH-SVHC conformity status	Duty-To-Declare
REACH-SVHC substances	Lead
REACH-SVHC CAS numbers	7439-92-1

#### Accessories

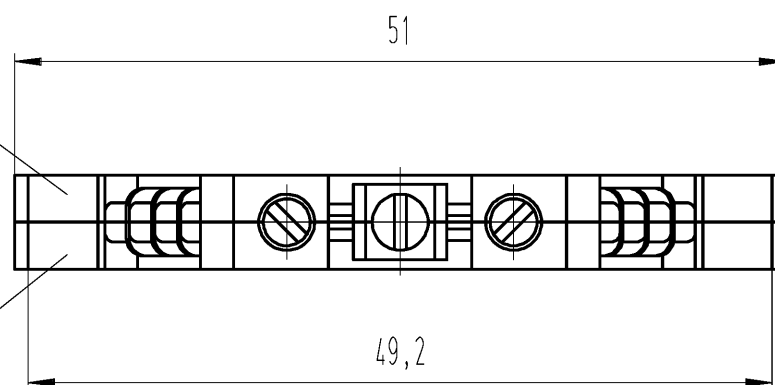
Commercial Art.No.:	Article-type description:	Description:
98.300.0000.0	Mounting rail TS 35x7,5 UNPERF - l:2000mm	Mounting rail TS 35, unslotted, size 7,5 mm, length 2 m, material steel. galv. zinc-plated and dichromated
98.300.1000.0	Mounting rail TS 35x7,5 PERF 15mm - l:2000mm	Mounting rail TS 35, slotted, size 7,5 mm, length 2 m, material steel. galv. zinc-plated and dichromated
98.300.1900.0	Mounting rail TS 35x7,5 PERF 25mm - l:2000mm	Mounting rail TS 35, slotted, size 7,5 mm, length 2 m, material steel. galv. zinc-plated and dichromated
98.360.0000.0	Mounting rail TS 35x15-2,3 UNPERF - l:2000mm	Mounting rail TS 35, unslotted, size 15 mm, length 2 m, material steel. galv. zinc-plated and dichromated
98.360.0004.0	Mounting rail TS 35x15-2,3 UNPERF FZN - l:2000mm	Mounting rail TS 35, unslotted, size 15 mm, length 2 m, material steel, hot galvanized
98.370.0000.0	Mounting rail TS 35x15 UNPERF - l:2000mm	Mounting rail TS 35, unslotted, size 15 mm, length 2 m, material steel. galv. zinc-plated and dichromated
98.370.1000.0	Mounting rail TS 35x15 PERF 15mm - l:2000mm	Mounting rail TS 35, slotted, size 15 mm, length 2 m, material steel. galv. zinc-plated and dichromated
98.380.0000.0	Mounting rail TS 35x15-2,3 UNPERF CU - l:2000mm	Mounting rail TS 35, unslotted, size 15 mm, length 2 m, material E copper



Hutschiene EN 60715-35x7,5  
mounting rail EN 60715-35x7,5

Hutschiene EN 60715-35x15  
mounting rail EN 60715-35x15

Farbe: grün  
colour: green



Farbe: gelb  
colour: yellow

Weitere Daten siehe Katalog  
further data see catalog

Teile-Nr. part-number	Typ type
57.504.9055.0	WK 4 SL VO

Tolerierung Size ISO 14405(EN)/Tolerance system Size ISO 14405(EN). (This ISO-standard describes the envelope principle. According to the envelope principle the deviations of form and parallelism are limited by the size tolerances).				ja/yes <input checked="" type="checkbox"/> Stoffverbots- und Deklarationsliste nach WN 5020.010 ist einzuhalten. Conformity with Wieland document WN 5020.010 e (list of prohibited / declarable hazardous substances) to be declared!			
Freitoleranz nach General tolerance		CAD - Zeichnung, keine manuellen Änderungen CAD - drawing, no manual modifications allowed		1.Verwendung: - First Use:		Blatt: 1 von 1 Sheet: of 1	
/		Werkstoff/Material		2004	Tag/Date	Name	
/		Maßstab/Scale		gezeichnet drawn	27.09.	Schmitt J.	
/		2:1		geprüft checked	-	-	
/		Vol. mm <sup>3</sup> Of l./Surf. mm <sup>2</sup>		Normgepr. Stand. check	-	-	
Ersatz für/Replacement for: -				Maße in mm/Dimensions are in mm			
/		Type		Benennung/Title			
a		02.06.2015/ Datum / Blatt Date / Sheet		www.wieland-electric.com		SCHUTZLEITERKLEMME	
Index		Änderung/Revision		earth terminal			

Weitergabe sowie Vervielfältigung dieses Dokuments, Verwertung und Mitteilung seines Inhalts sind verboten, soweit nicht ausdrücklich gestattet. Die Reproduktion, Distribution und Utilization of this document as well as the communication of its contents to others without express authorization is prohibited.