

## Data sheet

Commercial Art.No.: 70.512.1053.0

Male insert BAS STM 10 2,5 50 AG

Male insert revos basic, 10-poles, rated current: 16A, rated voltage: 500V, with silver-plated contacts



Commercial Art.No.	70.512.1053.0
EAN	4015573710719
Order Unit	1

Certificates / Approvals



## Technical data

### General

Model	Pin insert
Inflammability class of insulation material acc. with UL94	V0
Color	Grey
Mating cycles	500
Pollution degree	3
Modular version	No
Operating temperature range min.	-40 °C
Operating temperature range max.	120 °C

### Connection Data

Connection type	spring clamp connection
Number of poles	10
Plus switching contacts	0
Number of pole for rated current 2	0
Number of pole for rated current 3	0
Total number of poles (without ground contact)	10
With wire protection	yes
Min. conductor diameter rigid (solid/stranded)	0.5 mm <sup>2</sup>
Max. conductor diameter rigid (solid/stranded)	2.5 mm <sup>2</sup>
Protective contact	yes

### Technical Data UL/CSA

Rated voltage according to UL/CSA	600 V
-----------------------------------	-------

Rated current according UL	11.5 A
Rated current according CSA	11.5 A
Min. conductor cross section flexible wire	0.14 mm <sup>2</sup>
Max. conductor cross section flexible wire	2.5 mm <sup>2</sup>
Conductor cross section flexible AWG wire	26-14 AWG

#### Model

With housing	No
--------------	----

#### Contacts

Contact material	Copper alloy
Surface	Silver-plated
Contact resistance	≤ 3 mOhm
Wire strip length	10 mm

#### Screws head design/recomm. Torque

Mounting screws	H1/0.5-0.7 Nm
Ground conductor screws	H2/1.2-1.6 Nm

#### Technical Data DIN EN 61984

Nominal voltage	500 V
Rated voltage face/ground	500 V
Nominal current	16 A
Rated impulse voltage	6 kV

#### Classification

ECLASS 11	
ECLASS 8.1	27440205
ETIM 7.0	EC000438
ETIM 6.0	EC000438
ETIM 5.0	EC000438
ETIM 4.0	EC000438
ETIM 3.0	EC000438

#### Product compliance

ROHS conformity status	Compliant
REACH-SVHC conformity status	Compliant

#### Accessories

Commercial Art.No.:	Article-type description:	Description:
06.502.4000.0	screwdriver DIN 5264 A 0,6 x 3,5	Screw driver according to DIN 5264 A, blade: 0.6x3.5 mm, long and straight version

#### Fits with

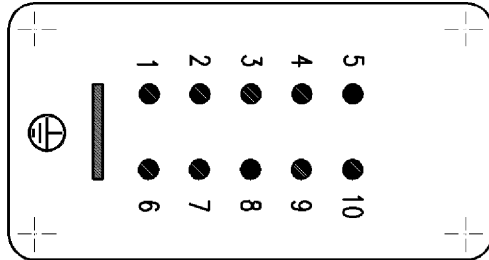
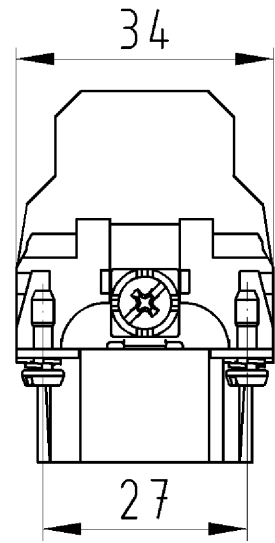
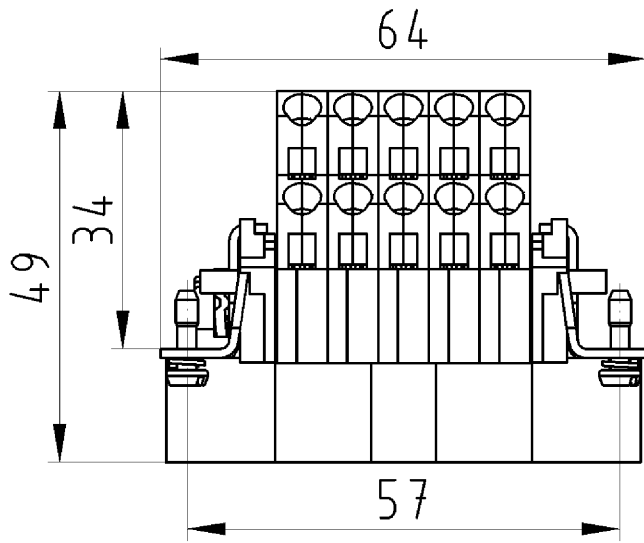
Commercial Art.No.:	Article-type description:	Description:

70.940.1053.3	Multipole adapter set BAS GAZSHLB10 4,0 50	Multipole adapter revos BASIC 500V/16A with base, screw connection 10 pole + ground, long design, female insert, ground left, double locking lever
70.940.1053.4	Multipole adapter set BAS GAZSNLB10 4,0 50	Multipole adapter revos BASIC 500V/16A with base, screw connection 10 pole + ground, short design, female insert, ground left, double locking lever
70.945.1053.4	Multipole adapter set BAS GAZSNRB10 4,0 50	Multipole adapter revos BASIC 500V/16A with base, screw connection 10 pole + ground, short design, female insert, ground right, double locking lever
70.700.1058.0	Female insert BAS BUC 10 50	Female insert revos basic, 10-poles, rated current: 16A, rated voltage:500V, with tin-plated contacts
76.350.1035.0	Hood BAS GOT GG 10HM25 50 A0	Hood revos basic made of aluminum, for single locking lever with cable gland M25 on the right side (IP54), low version, 10-poles
76.350.1035.1	Hood BAS GOT GG 10HM25 50 A1	Hood revos basic made of aluminum, for single locking lever with threaded hole M25 on the right side, low version, 10-poles
76.351.1035.0	Hood BAS GOT GH 10H M20 A0	Hood revos basic made of aluminum, for single locking lever with cable gland M20 on the front (IP54), low version, 10-poles
76.351.1035.1	Hood BAS GOT GH 10H M20 A1	Hood revos basic made of aluminum, for single locking lever with threaded hole M20 on the front, low version, 10-poles
76.351.1035.3	Hood BAS GOT GH 10H M20 A3	Hood revos basic made of aluminum, for single locking lever with trumpet gland M20 on the front (IP54), low version, 10-poles
76.352.1035.0	Hood BAS GOT GI 10HM25 50 A0	Hood revos basic made of aluminum, for single locking lever with cable gland M25 on the top (IP54), low version, 10-poles
76.352.1035.1	Hood BAS GOT GI 10HM25 50 A1	Hood revos basic made of aluminum, for single locking lever with threaded hole M25 on the top, low version, 10-poles
76.353.1035.0	Hood BAS GOT GG 10HM32 50 A0	Hood revos basic made of aluminum, for single locking lever with cable gland M32 on the right side (IP54), low version, 10-poles
76.353.1035.1	Hood BAS GOT GG 10HM32 50 A1	Hood revos basic made of aluminum, for single locking lever with threaded hole M32 on the right side, low version, 10-poles
76.353.1035.2	Hood BAS GOT GG 10HM32 50 A2	Hood revos basic made of aluminum, for single locking lever with nozzleM32 on the right side, low version, 10-poles
76.354.1035.0	Hood BAS GOT GI 10HM32 50 A0	Hood revos basic made of aluminum, for single locking lever with cable gland M32 on the top (IP54), low version, 10-poles
76.354.1035.1	Hood BAS GOT GI 10HM32 50 A1	Hood revos basic made of aluminum, for single locking lever with threaded hole M32 on the top, low version, 10-poles
76.354.1035.2	Hood BAS GOT GI 10HM32 50 A2	Hood revos basic made of aluminum, for single locking lever with nozzleM32 on the top, low version, 10-poles
76.330.1035.0	Bottom BAS GUT GL 10HM25 50 A0	Bottom-base revos basic made of aluminum, with single locking lever and cable gland M25 on the right and left side (IP54), low version, 10-pole
76.330.1035.1	Bottom BAS GUT GL 10HM25 50 A1	Bottom-base revos basic made of aluminum, with single locking lever and threaded hole M25 on the right and left side, low version, 10-pole
76.331.1035.0	Bottom BAS GUT GM 10HM25 50 A0	Bottom-base revos basic made of aluminum, with single locking lever and cable gland M25 on the left side (IP54), low version, 10-pole
76.331.1035.1	Bottom BAS GUT GM 10HM25 50 A1	Bottom-base revos basic made of aluminum, with single locking lever and threaded hole M25 on the left side, low version, 10-pole
76.334.1035.0	Bottom BAS GUT GL 10HM32 50 A0	Bottom-base revos basic made of aluminum, with single locking lever and cable gland M32 on the right and left side (IP54), low version, 10-pole
76.334.1035.1	Bottom BAS GUT GL 10HM32 50 A1	Bottom-base revos basic made of aluminum, with single locking lever and threaded hole M32 on the right and left side, low version, 10-pole
76.335.1035.1	Bottom BAS GUT GM 10HM32 50 A1	Bottom-base revos basic made of aluminum, with single locking lever and threaded hole M32 on the left side, low version, 10-pole
76.340.1035.0	Bottom BAS GUT GR 10HM25 50 A0	Bottom-base revos basic made of aluminum, with single locking lever and cable gland M25 on the right and the left side, with protective cover (IP54), low version, 10-pole

76.340.1035.1	Bottom BAS GUT GR 10HM25 50 A1	Bottom-base revos basic made of aluminum, with single locking lever and threaded hole M25 on the right and the left side, with protective cover, low version, 10-polig
76.341.1035.0	Bottom BAS GUT GS 10HM25 50 A0	Bottom-base revos basic made of aluminum, with single locking lever and cable gland M25 on the left side, with protective cover (IP54), low version, 10-polig
76.341.1035.1	Bottom BAS GUT GS 10HM25 50 A1	Bottom-base revos basic made of aluminum, with single locking lever and threaded hole M25 on the left side, with protective cover, low version, 10-polig
76.342.1035.0	Bottom BAS GUT GT 10HM25 50 A0	Bottom-base revos basic made of aluminum, with single locking lever and cable gland M25 on the right side, with protective cover (IP54), low version, 10-polig
76.342.1035.1	Bottom BAS GUT GM 10HM25 50 A1	Bottom-base revos basic made of aluminum, with single locking lever and threaded hole M25 on the left side, low version, 10-polig
76.344.1035.0	Bottom BAS GUT GR 10HM32 50 A0	Bottom-base revos basic made of aluminum, with single locking lever and cable gland M32 on the right and the left side, with protective cover (IP54), low version, 10-polig
76.344.1035.1	Bottom BAS GUT GR 10HM32 50 A1	Bottom-base revos basic made of aluminum, with single locking lever and threaded hole M32 on the right and the left side, with protective cover, low version, 10-polig
76.345.1035.1	Bottom BAS GUT GS 10HM32 50 A1	Bottom-base revos basic made of aluminum, with single locking lever and threaded hole M32 on the left side, with protective cover, low version, 10-polig
76.346.1035.1	Bottom BAS GUT GT 10HM32 50 A1	Bottom-base revos basic made of aluminum, with single locking lever and threaded hole M32 on the right side, with protective cover, low version, 10-polig
73.350.1035.0	Hood BAS GOT GA 10HM25 50 A0	Hood revos basic made of aluminum, for double locking lever or. screw cap with cable gland M25 on the right side (IP54), low version, 10-poles
73.350.1035.1	Hood BAS GOT GA 10HM25 50 A1	Hood revos basic made of aluminum, for double locking lever or. screw cap with threaded hole M25 on the right side, low version, 10-poles
73.350.1035.3	Hood BAS GOT GA 10 M20 A3	Hood revos basic made of aluminum, for double locking lever or. screw cap with trumpet gland M20 on the right side (IP54), low version, 10-poles
73.351.1035.0	Hood BAS GOT GB 10H M20 A0	Hood revos basic made of aluminum, for double locking lever and cable gland M20 on the front (IP54), low version, 10-poles
73.351.1035.1	Hood BAS GOT GB 10H M20 A1	Hood revos basic made of aluminum, for double locking lever and threaded hole M20 on the front, low version, 10-poles
73.352.1035.0	Hood BAS GOT GC 10HM25 50 A0	Hood revos basic made of aluminum, for double locking lever or. screw cap with cable gland M25 on the top (IP54), low version, 10-poles
73.352.1035.1	Hood BAS GOT GC 10HM25 50 A1	Hood revos basic made of aluminum, for double locking lever or. screw cap with threaded hole M25 on the top, low version, 10-poles
73.353.1035.0	Hood BAS GOT GA 10HM32 50 A0	Hood revos basic made of aluminum, for double locking lever or. screw cap with cable gland M32 on the right side (IP54), low version, 10-poles
73.353.1035.1	Hood BAS GOT GA 10HM32 50 A1	Hood revos basic made of aluminum, for double locking lever or. screw cap with threaded hole M32 on the right side, low version, 10-poles
73.353.1035.3	Hood BAS GOT GA 10HM32 50 A3	Hood revos basic made of aluminum, for double locking lever or. screw cap with trumpet gland M32 on the right side (IP54), low version, 10-poles
73.354.1035.0	Hood BAS GOT GC 10HM32 50 A0	Hood revos basic made of aluminum, for double locking lever or. screw cap with cable gland M32 on the top (IP54), low version, 10-poles

73.354.1035.1	Hood BAS GOT GC 10HM32 50 A1	Hood revos basic made of aluminum, for double locking lever or screw cap with threaded hole M32 on the top, low version, 10-poles
73.330.1035.0	Bottom BAS GUT GB 10HM25 50 A0	Bottom-base revos basic made of aluminum, with double locking lever or screw cap with cable gland M25 on the right and left side (IP54), low version, 10-polig
73.330.1035.1	Bottom BAS GUT GB 10HM25 50 A1	Bottom-base revos basic made of aluminum, with double locking lever or screw cap with threaded hole M25 on the right and left side, low version, 10-polig
73.331.1035.0	Bottom BAS GUT GC 10HM25 50 A0	Bottom-base revos basic made of aluminum, with double locking lever or screw cap with cable gland M25 on the left side (IP54), low version, 10-polig
73.331.1035.1	Bottom BAS GUT GC 10HM25 50 A1	Bottom-base revos basic made of aluminum, with double locking lever or screw cap with threaded hole M25 on the left side, low version, 10-polig
73.334.1035.0	Bottom BAS GUT GB 10HM32 50 A0	Bottom-base revos basic made of aluminum, with double locking lever or screw cap with cable gland M32 on the right and left side (IP54), low version, 10-polig
73.334.1035.1	Bottom BAS GUT GB 10HM32 50 A1	Bottom-base revos basic made of aluminum, with double locking lever or screw cap with threaded hole M32 on the right and left side, low version, 10-polig
73.335.1035.0	Bottom BAS GUT GC 10HM32 50 A0	Bottom-base revos basic made of aluminum, with double locking lever or screw cap with cable gland M32 on the left side (IP54), low version, 10-polig
73.335.1035.1	Bottom BAS GUT GC 10HM32 50 A1	Bottom-base revos basic made of aluminum, with double locking lever or screw cap with threaded hole M32 on the left side, low version, 10-polig
73.340.1035.0	Bottom BAS GUT GF 10HM25 50 A0	Bottom-base revos basic made of aluminum, for double locking lever with cable gland M25 on the left and right side, with protective cover (IP54), low version, 10-polig
73.340.1035.1	Bottom BAS GUT GF 10HM25 50 A1	Bottom-base revos basic made of aluminum, for double locking lever with threaded hole M25 on the left and right side, with protective cover, low version, 10-polig
73.341.1035.1	Bottom BAS GUT GG 10HM25 50 A1	Bottom-base revos basic made of aluminum, with double locking lever and threaded hole M25 on the left side, with protective cover, low version, 10-polig
73.342.1035.1	Bottom BAS GUT GH 10HM25 50 A1	Bottom-base revos basic made of aluminum, with double locking lever and threaded hole M25 on the right side, with protective cover, low version, 10-polig
73.344.1035.1	Bottom BAS GUT GF 10HM32 50 A1	Bottom-base revos basic made of aluminum, for double locking lever with threaded hole M32 on the left and right side, with protective cover, low version, 10-polig
73.345.1035.0	Bottom BAS GUT GG 10HM32 50 A0	Bottom-base revos basic made of aluminum, with double locking lever and cable gland M32 on the left side, with protective cover (IP54), low version, 10-polig
73.345.1035.1	Bottom BAS GUT GG 10HM32 50 A1	Bottom-base revos basic made of aluminum, with double locking lever and threaded hole M32 on the left side, with protective cover, low version, 10-polig
70.100.1053.3	Multipole adapter BAS BAS LL 10 4,0 50	Multipole adapter revos BASIC 500V/16A screw connection 10 pole + ground, long design, female insert, ground right
70.100.1053.4	Multipole adapter BAS BAS KL 10 4,0 50	Multipole adapter revos BASIC 500V/16A screw connection 10 pole + ground, short design, female insert, ground right
70.105.1053.3	Multipole adapter BAS BAS LR 10 4,0 50	Multipole adapter revos BASIC 500V/16A screw connection 10 pole + ground, long design, male insert, ground left
70.105.1053.4	Multipole adapter BAS BAS KR 10 4,0 50	Multipole adapter revos BASIC 500V/16A screw connection 10 pole + ground, short design, male insert, ground left

70.101.1053.0	Multipole adapter BAS BAF KL 10 2,5 50	Multipole adapter revos BASIC 500V/16A spring clamp connection 10 pole + ground, short design, female insert, ground left
70.106.1053.0	Multipole adapter BAS BAF KR 10 2,5 50	Multipole adapter revos BASIC 500V/16A spring clamp connection 10 pole + ground, short design, female insert, ground right
70.300.1040.0	Female insert BAS BUS 10 2,5 50	Female insert revos basic, 10-poles, rated current: 16A, rated voltage:500V, with tin-plated contacts
70.301.1040.0	Female insert BAS BUS 10 2,5 50 AU	Female insert revos basic, 10-poles, rated current: 16A, rated voltage:500V, with gold-plated contacts
70.302.1040.0	Female insert BAS BUS OD 10 2,5 50	Female insert revos basic, 10-poles, rated current: 16A, rated voltage:500V, with tin-plated contacts
70.500.1053.0	Female insert BAS BUF 10 2,5 50	Female insert revos basic, 10-poles, rated current: 16A, rated voltage:500V, with silver-plated contacts
70.502.1053.0	Female insert BAS BUM 10 2,5 50 AG	Female insert revos basic, 10-poles, rated current: 16A, rated voltage:500V, with silver-plated contacts
70.405.1053.0	Female insert BAS BUP 10 2,5 50 AG	Female insert revos basic, 10-poles, rated current: 16A, rated voltage:500V, with silver-plated contacts



Weitergabe sowie Vervielfältigung dieses Dokuments, Verwertung und Mitteilung seines Inhalts sind verboten, soweit nicht ausdrücklich gestattet. Die Reproduktion, Distribution und Utilization of this document as well as the communication of its contents to others without express authorization is prohibited.

Steckereinsatz  
70.512.1053.0

07.11.2007  
Hoffmann Angelika  
M 1:1

Zeichnungsnummer  
70.512.1053.010W  
Steckereinsatz