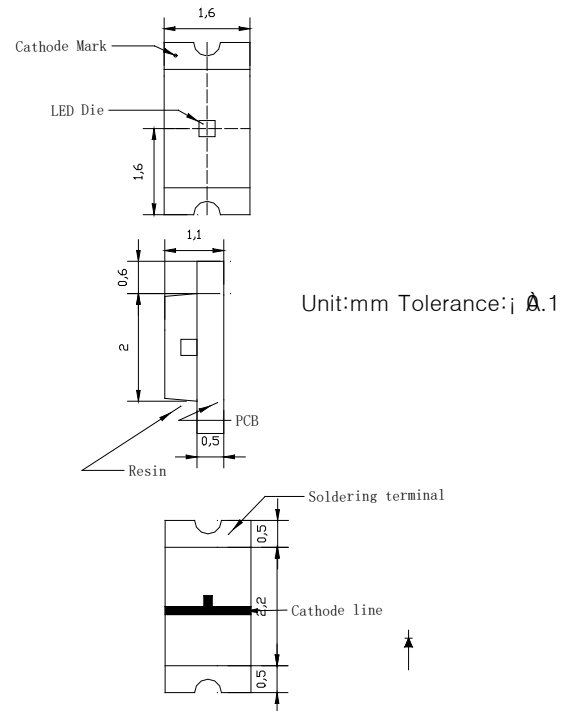


GNL-1206xx (1206 SMD TYPE) Ultra Brightness

ABSOLUTE MAXIMUM RATING:(Ta=25°C)

Parameter			Unit
DC Forward Current	30		mA
Reverse Voltage	5		V
Reverse Current (Vr=5V)	10		μA
Peak Forward Current ,tw ,=1 msec Duty ,=1/20	150		mA
Operation Temperature	-40	+80	°C
Storage Temperature	-40	+100	°C
Solder Dip Temperature (5 seconds, 1.6mm from body)	300	±5	°C



Features:

- Compatible with automatic placement equipment
- Compatible with reflow solder process

Applications:

- Automotive and Telecommunication
- General use for indicators

Part Number	EMITTED COLOR		Lens Color	Peak Wavelength (nm)	Vf (v) Typ.	IV (If=20mA) mcd		View Angle 2θ 1/2
						Min.	Typ.	
GNL-1206GC	GaP	Green	Water Clear	567	2.0	7	12	120°
GNL-1206EC	GaP	Orange Red	Water Clear	635	2.0	10	18	120°
GNL-1206YC	GaAsP	Yellow	Water Clear	588	2.0	10	18	120°
GNL-1206SRC	GaAlAs	Red	Water Clear	660	1.9	9	15	120°
GNL-1206URC	GaAlAs	Super Red	Water Clear	660	1.9	65	95	120°
GNL-1206HRC	AlGaInP	Ultra Red	Water Clear	640	2.1	30	40	120°
GNL-1206UYC	AlGaInP	Super Yellow	Water Clear	587	2.1	30	40	120°
GNL-1206UBC	InGaN	Super Blue	Water Clear	470	3.2	40	50	120°
GNL-1206PGC	InGaN	Super Pure Green	Water Clear	525	3.4	70	120	120°
GNL-1206WC	InGaN	Super White	Water Clear		3.2	60	100	120°