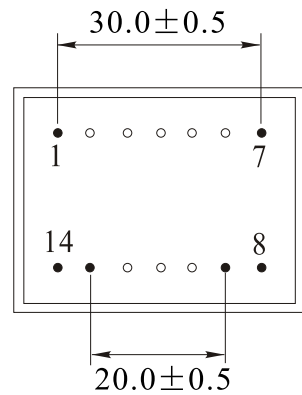
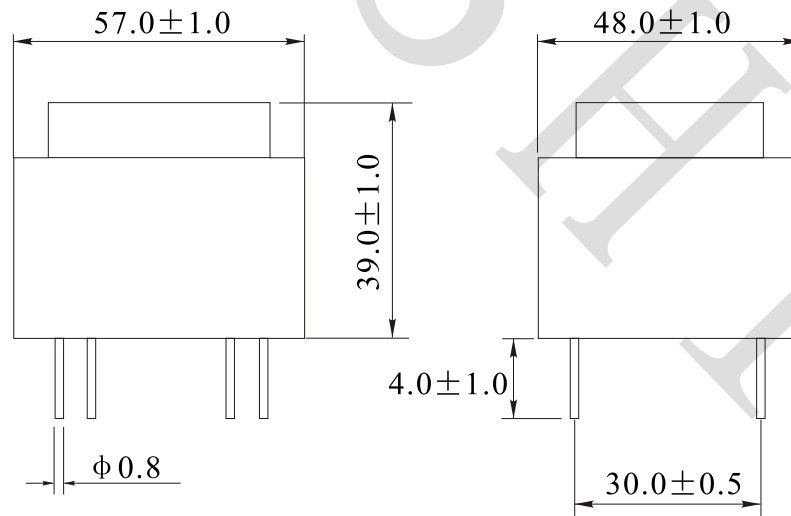


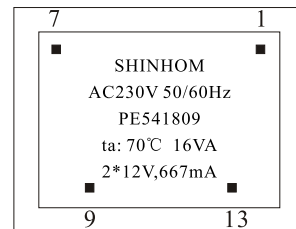
Rev.	Description	Date
A0	New release	2023.11.20

1. PHYSICAL CHARACTERISTICS (mm)



Bottom view

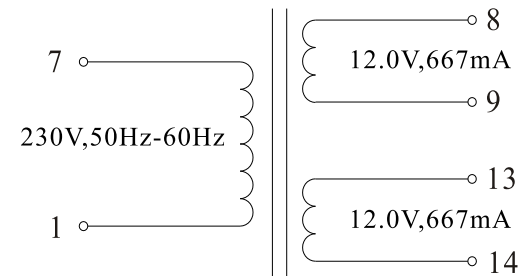
Top marking



NOTES:

Temp 20°C 48%RH
RoHS Compliant

2. ELECTRONICAL SCHEMATIC



3. ELECTRONICAL SPECIFICATIONS

Pri voltage: 230V, 50Hz-60Hz

Sec load voltage: Pin8-9: 12.0V ± 5%V @ 667mA

Pin13-14: 12.0V ± 5%V @ 667mA

Noload voltage: Pin8-9: 14.7Vac ± 5%V

Pin13-14: 14.7Vac ± 5%V

Output Power: 16VA

Hi-Pot: 4000V, 50Hz, 1mA, 3S Pri to Sec

NAME:	Power Transformer		
CUSTOMER P/N:		DATE:	2023-11-20
SHINHOM P/N:	PE541809	REV:	A0
DRAWN BY:	CHECKED BY:	APPROVE BY:	



SHINHOM
SHAANXISHINHOM ENTERPRISE CO LTD

The Document property belong to SHINHOM & is not allowed to be duplicated without authorization