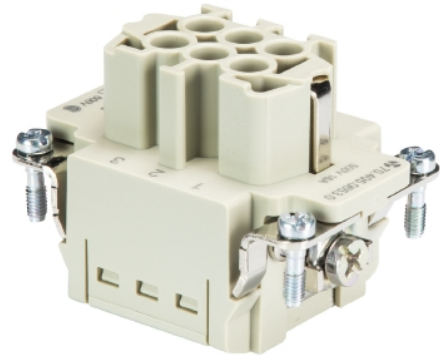


Data sheet

Commercial Art.No.: 70.405.0653.0

Female insert BAS BUP 6 2,5 50 AG

Female insert revos basic, 6-poles, rated current: 16A, rated voltage: 500V, with silver-plated contacts



Commercial Art.No.	70.405.0653.0
EAN	4049088257902
Order Unit	1

Certificates / Approvals



Technical data

General

Model	Female insert
Inflammability class of insulation material acc. with UL94	V0
Color	Grey
Mating cycles	500
Pollution degree	3
Modular version	No
Operating temperature range min.	-40 °C
Operating temperature range max.	120 °C

Connection Data

Connection type	Plug-in connection
Number of poles	6
Total number of poles (without ground contact)	6
With wire protection	No
Min. conductor diameter rigid (solid/stranded)	0.5 mm ²
Max. conductor diameter rigid (solid/stranded)	2.5 mm ²

Technical Data UL/CSA

Rated voltage according to UL/CSA	600 V
Rated current according UL	13 A
Rated current according CSA	13 A
Min. conductor cross section flexible wire	26 AWG
Max. conductor cross section flexible wire	14 AWG

Model

With housing	No
--------------	----

Contacts

Contact material	Copper alloy
Surface	Silver-plated
Contact resistance	≤ 5 mOhm
Wire strip length	9 mm

Technical Data DIN EN 61984

Nominal voltage	500 V
Nominal current	16 A
Rated impulse voltage	6 kV

Classification

ECLASS 11	
ECLASS 8.1	27440205
ETIM 7.0	EC000438
ETIM 6.0	EC000438
ETIM 5.0	EC000438
ETIM 4.0	EC000438

Product compliance

ROHS conformity status	Compliant
REACH-SVHC conformity status	Compliant

Accessories

Commercial Art.No.:	Article-type description:	Description:
Z5.553.2921.0	Test plug ST 2 / 2.3 ROT	Test plug 2.3 mm, color: red

Fits with

Commercial Art.No.:	Article-type description:	Description:
70.950.0653.3	Multipole adapter set BAS GAESHLS 6 4,0 50	Multipole adapter revos BASIC 500V/16A with base, screw connection 6 pole + ground, long design, male insert, ground left, single locking lever
70.950.0653.4	Multipole adapter set BAS GAESNLS 6 4,0 50	Multipole adapter revos BASIC 500V/16A with base, screw connection 6 pole + ground, short design, male insert, ground left, single locking lever
70.510.0653.0	Male insert BAS STF 6 2,5 50	Male insert revos basic, 6-poles, rated current: 16A, rated voltage: 500V, with tin-plated contacts
70.512.0653.0	Male insert BAS STM 6 2,5 50 AG	Male insert revos basic, 6-poles, rated current: 16A, rated voltage: 500V, with silver-plated contacts
70.710.0658.0	Male insert BAS STC 6 50	Male insert revos basic, 6-poles, rated current: 16A, rated voltage: 500V, with tin-plated contacts
70.350.0635.0	Hood BAS GOT GG 6 M20 A0	Hood revos basic made of aluminum, for single locking lever with cable gland M20 on the right side (IP54), low version, 6-poles
70.350.0635.1	Hood BAS GOT GG 6 M20 A1	Hood revos basic made of aluminum, for single locking lever with threaded hole M20 on the right side, low version, 6-poles

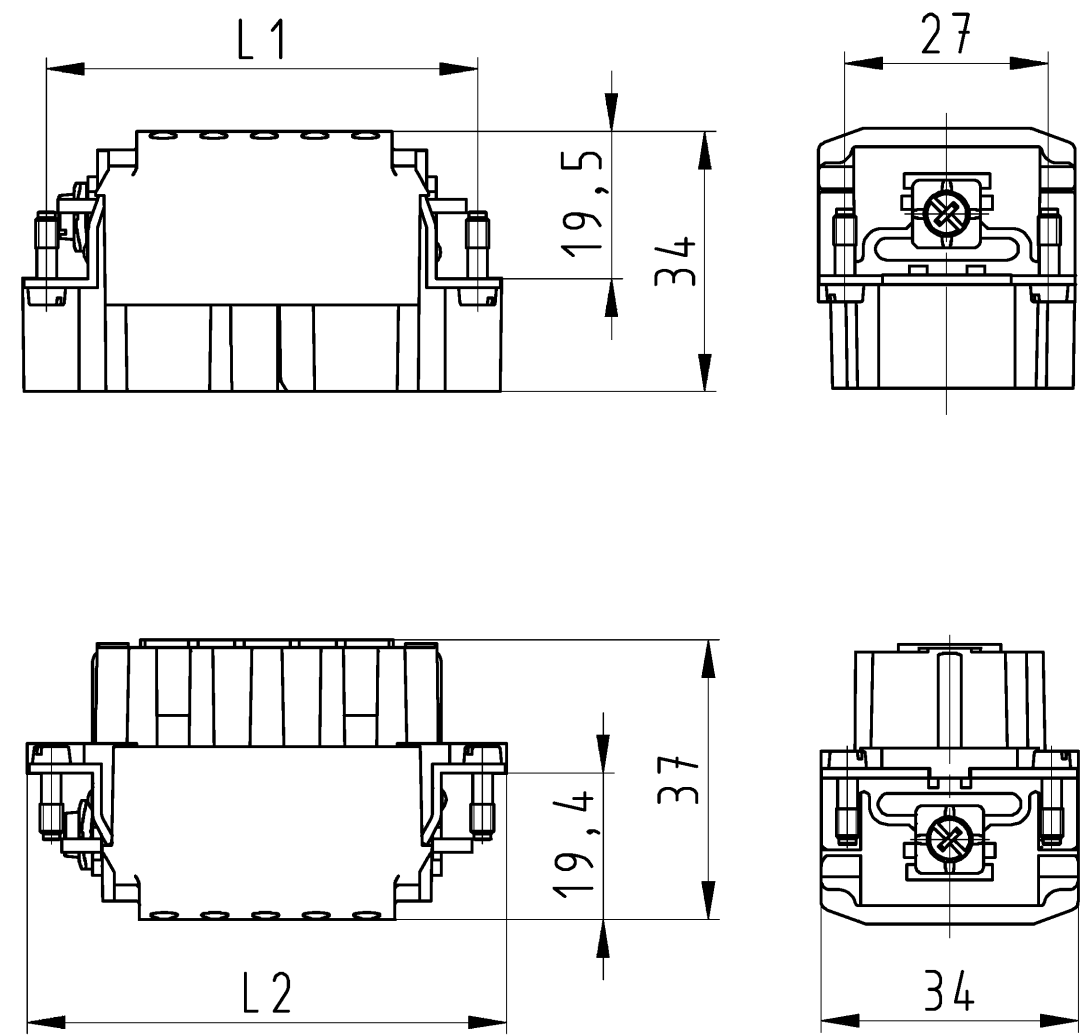
70.350.0635.2	Hood BAS GOT GG 6 M20 A2	Hood revos basic made of aluminum, for single locking lever with nozzleM20 on the right side, low version, 6-poles
70.350.0635.3	Hood BAS GOT GG 6 M20 A3	Hood revos basic made of aluminum, for single locking lever with trumpet gland M20 on the right side (IP54), low version, 6-poles
70.352.0635.0	Hood BAS GOT GI 6 M20 A0	Hood revos basic made of aluminum, for single locking lever with cable gland M20 on the top (IP54), low version, 6-poles
70.352.0635.1	Hood BAS GOT GI 6 M20 A1	Hood revos basic made of aluminum, for single locking lever with threaded hole M20 on the top, low version, 6-poles
70.352.0635.2	Hood BAS GOT GI 6 M20 A2	Hood revos basic made of aluminum, for single locking lever with nozzleM20 on the top, low version, 6-poles
70.352.0635.3	Hood BAS GOT GI 6 M20 A3	Hood revos basic made of aluminum, for single locking lever with trumpet gland M20 on the top (IP54), low version, 6-poles
70.353.0635.0	Hood BAS GOT GG 6 M25 A0	Hood revos basic made of aluminum, for single locking lever with cable gland M25 on the right side (IP54), low version, 6-poles
70.353.0635.1	Hood BAS GOT GG 6 M25 A1	Hood revos basic made of aluminum, for single locking lever with threaded hole M25 on the right side, low version, 6-poles
70.353.0635.2	Hood BAS GOT GG 6 M25 A2	Hood revos basic made of aluminum, for single locking lever with nozzleM25 on the right side, low version, 6-poles
70.353.0635.3	Hood BAS GOT GG 6 M25 A3	Hood revos basic made of aluminum, for single locking lever with trumpet gland M25 on the right side (IP54), low version, 6-poles
70.354.0635.0	Hood BAS GOT GI 6 M25 A0	Hood revos basic made of aluminum, for single locking lever with cable gland M25 on the top (IP54), low version, 6-poles
70.354.0635.1	Hood BAS GOT GI 6 M25 A1	Hood revos basic made of aluminum, for single locking lever with threaded hole M25 on the top, low version, 6-poles
70.354.0635.2	Hood BAS GOT GI 6 M25 A2	Hood revos basic made of aluminum, for single locking lever with nozzleM25 on the top, low version, 6-poles
70.354.0635.3	Hood BAS GOT GI 6 M25 A3	Hood revos basic made of aluminum, for single locking lever with trumpet gland M25 on the top (IP54), low version, 6-poles
70.372.0635.0	Hood BAS GOT GL 6 M20 50 A0	Hood revos basic made of aluminum, with single locking lever and cable gland M20 on the top - free cable connection (IP54), low version, 6-poles
70.372.0635.1	Hood BAS GOT GL 6 M20 50 A1	Hood revos basic made of aluminum, with single locking lever and threaded hole M20 on the top - free cable connection, low version, 6-poles
70.372.0635.3	Hood BAS GOT GL 6 M20 A3	Hood revos basic made of aluminum, with single locking lever and trumpet gland M20 on the top - free cable connection (IP54), low version, 6-poles
70.450.0637.1	Hood BAS GOM GG 6 M20 B1	Hood revos basic metal-series without coating, for single locking lever with threaded hole M20 on the right side, low version, 6-poles
70.452.0637.1	Hood BAS GOM GI 6 M20 B1	Hood revos basic metal-series without coating, for single locking lever with threaded hole M20 on the top, low version, 6-poles
73.350.0635.0	Hood BAS GOT GG 6HM25 69 A0	Hood revos basic made of aluminum, for single locking lever with cable gland M25 on the right side (IP54), high version, 6-poles
73.350.0635.1	Hood BAS GOT GG 6HM25 69 A1	Hood revos basic made of aluminum, for single locking lever with threaded hole M25 on the right side, high version, 6-poles
73.351.0635.0	Hood BAS GOT GH 6HM20 A0	Hood revos basic made of aluminum, for single locking lever with cable gland M20 on the front (IP54), high version, 6-poles
73.351.0635.1	Hood BAS GOT GH 6HM20 A1	Hood revos basic made of aluminum, for single locking lever with threaded hole M20 on the front, high version, 6-poles
73.351.0635.3	Hood BAS GOT GH 6HM20 A3	Hood revos basic made of aluminum, for single locking lever with trumpet gland M20 on the front (IP54), high version, 6-poles
73.352.0635.0	Hood BAS GOT GI 6HM25 69 A0	Hood revos basic made of aluminum, for single locking lever with cable gland M25 on the top (IP54), high version, 6-poles
73.352.0635.1	Hood BAS GOT GI 6HM25 69 A1	Hood revos basic made of aluminum, for single locking lever with threaded hole M25 on the top, high version, 6-poles

73.352.0635.2	Hood BAS GOT GI 6HM25 69 A2	Hood revos basic made of aluminum, for single locking lever with nozzleM25 on the top, high version, 6-poles
73.352.0635.3	Hood BAS GOT GI 6HM25 A3	Hood revos basic made of aluminum, for single locking lever with trumpet gland M25 on the top (IP54), high version, 6-poles
73.353.0635.0	Hood BAS GOT GG 6HM32 69 A0	Hood revos basic made of aluminum, for single locking lever with cable gland M32 on the right side (IP54), high version, 6-poles
73.353.0635.1	Hood BAS GOT GG 6HM32 69 A1	Hood revos basic made of aluminum, for single locking lever with threaded hole M32 on the right side, high version, 6-poles
73.353.0635.2	Hood BAS GOT GG 6HM32 69 A2	Hood revos basic made of aluminum, for single locking lever with nozzleM32 on the right side, high version, 6-poles
73.353.0635.3	Hood BAS GOT GG 6HM32 A3	Hood revos basic made of aluminum, for single locking lever with trumpet gland M32 on the right side (IP54), high version, 6-poles
73.354.0635.0	Hood BAS GOT GI 6HM32 69 A0	Hood revos basic made of aluminum, for single locking lever with cable gland M32 on the top (IP54), high version, 6-poles
73.354.0635.1	Hood BAS GOT GI 6HM32 69 A1	Hood revos basic made of aluminum, for single locking lever with threaded hole M32 on the top, high version, 6-poles
73.354.0635.2	Hood BAS GOT GI 6HM32 69 A2	Hood revos basic made of aluminum, for single locking lever with nozzleM32 on the top, high version, 6-poles
73.354.0635.3	Hood BAS GOT GI 6HM32 A3	Hood revos basic made of aluminum, for single locking lever with trumpet gland M32 on the top (IP54), high version, 6-poles
70.320.0628.0	Bottom BAS GUT GK 6 A	Bottom-base revos basic made of aluminum, with single locking lever, open, low version, 6-poles
70.325.0628.0	Bottom BAS GUT GP 6 A	Bottom-base revos basic made of aluminum, with single locking lever andprotective cover, open, low version, 6-poles
70.330.0635.0	Bottom BAS GUT GL 6 M20 A0	Bottom-base revos basic made of aluminum, with single locking lever andcable gland M20 on the right and left side (IP54), low version, 6-polig
70.330.0635.1	Bottom BAS GUT GL 6 M20 A1	Bottom-base revos basic made of aluminum, with single locking lever andthreaded hole M20 on the right and left side, low version, 6-polig
70.331.0635.0	Bottom BAS GUT GM 6 M20 A0	Bottom-base revos basic made of aluminum, with single locking lever andcable gland M20 on the left side (IP54), low version, 6-polig
70.331.0635.1	Bottom BAS GUT GM 6 M20 A1	Bottom-base revos basic made of aluminum, with single locking lever andthreaded hole M20 on the left side, low version, 6-polig
70.332.0635.0	Bottom BAS GUT GN 6 M20 A0	Bottom-base revos basic made of aluminum, with single locking lever andcable gland M20 on the right side (IP54), low version, 6-polig
70.332.0635.1	Bottom BAS GUT GN 6 M20 A1	Bottom-base revos basic made of aluminum, with single locking lever andthreaded hole M20 on the right side, low version, 6-polig
70.333.0635.0	Bottom BAS GUT GO 6 M20 A0	Bottom-base revos basic made of aluminum, with single locking lever andcable gland M20 on the bottom (IP54), low version, 6-polig
70.333.0635.1	Bottom BAS GUT GO 6 M20 A1	Bottom-base revos basic made of aluminum, with single locking lever andthreaded hole M20 on the bottom, low version, 6-polig
70.334.0635.0	Bottom BAS GUT GL 6 M25 A0	Bottom-base revos basic made of aluminum, with single locking lever andcable gland M25 on the right and left side (IP54), low version, 6-polig
70.334.0635.1	Bottom BAS GUT GL 6 M25 A1	Bottom-base revos basic made of aluminum, with single locking lever andthreaded hole M25 on the right and left side, low version, 6-polig
70.335.0635.0	Bottom BAS GUT GM 6 M25 50 A0	Bottom-base revos basic made of aluminum, with single locking lever andcable gland M25 on the left side (IP54), low version, 6-polig
70.335.0635.1	Bottom BAS GUT GM 6 M25 A1	Bottom-base revos basic made of aluminum, with single locking lever andthreaded hole M25 on the left side, low version, 6-polig
70.337.0635.1	Bottom BAS GUT GO 6 M25 A1	Bottom-base revos basic made of aluminum, with single locking lever andthreaded hole M25 on the bottom, low version, 6-poles
70.340.0635.0	Bottom BAS GUT GR 6 M20 A0	Bottom-base revos basic made of aluminum, with single locking lever andcable gland M20 on the right and the left side, with protective cover (IP54), low version, 6-polig

70.340.0635.1	Bottom BAS GUT GR 6 M20 A1	Bottom-base revos basic made of aluminum, with single locking lever and threaded hole M20 on the right and the left side, with protective cover, low version, 6-polig
70.341.0635.0	Bottom BAS GUT GS 6 M20 A0	Bottom-base revos basic made of aluminum, with single locking lever and cable gland M20 on the left side, with protective cover (IP54), low version, 6-polig
70.341.0635.1	Bottom BAS GUT GS 6 M20 A1	Bottom-base revos basic made of aluminum, with single locking lever and threaded hole M20 on the left side, with protective cover, low version, 6-polig
70.342.0635.0	Bottom BAS GUT GT 6 M20 A0	Bottom-base revos basic made of aluminum, with single locking lever and cable gland M20 on the right side, with protective cover (IP54), low version, 6-polig
70.342.0635.1	Bottom BAS GUT GT 6 M20 A1	Bottom-base revos basic made of aluminum, with single locking lever and threaded hole M20 on the right side, with protective cover, low version, 6-polig
70.343.0635.0	Bottom BAS GUT GU 6 M20 A0	Bottom-base revos basic made of aluminum, with single locking lever and cable gland M20 on the bottom, with protective cover (IP54), low version, 6-polig
70.343.0635.1	Bottom BAS GUT GU 6 M20 A1	Bottom-base revos basic made of aluminum, with single locking lever and threaded hole M20 on the bottom, with protective cover, low version, 6-polig
70.420.0637.0	Bottom BAS GUM GK 6 B	Bottom-base revos basic metal-series without coating, open, low version, 6-poles
70.425.0637.0	Bottom BAS GUM GP 6 B	Bottom-base revos basic metal-series without coating, with single locking lever and protective cover, low version, 6-poles
70.430.0637.1	Bottom BAS GUM GL 6 M20 B1	Bottom-base revos basic metal-series without coating, with single locking lever and threaded hole M20 on the right and left side, low version, 6-polig
70.431.0637.1	Bottom BAS GUM GM 6 M20 B1	Bottom-base revos basic metal-series without coating, with single locking lever and threaded hole M20 on the left side, low version, 6-polig
70.440.0637.1	Bottom BAS GUM GR 6 M20 B1	Bottom-base revos basic metal-series without coating, with single locking lever and threaded hole M20 on the right and the left side, with protective cover, low version, 6-polig
70.441.0637.1	Bottom BAS GUM GS 6 M20 B1	Bottom-base revos basic metal-series without coating, with single locking lever and threaded hole M20 on the left side, with protective cover, low version, 6-polig
73.330.0635.0	Bottom BAS GUT GL 6HM25 69 A0	Bottom-base revos basic made of aluminum, with single locking lever and cable gland M25 on the right and left side (IP54), high version, 6-polig
73.330.0635.1	Bottom BAS GUT GL 6HM25 69 A1	Bottom-base revos basic made of aluminum, with single locking lever and threaded hole M25 on the right and left side, high version, 6-polig
73.331.0635.0	Bottom BAS GUT GM 6HM25 69 A0	Bottom-base revos basic made of aluminum, with single locking lever and cable gland M25 on the left side (IP54), high version, 6-polig
73.331.0635.1	Bottom BAS GUT GM 6HM25 69 A1	Bottom-base revos basic made of aluminum, with single locking lever and threaded hole M25 on the left side, high version, 6-polig
73.334.0635.0	Bottom BAS GUT GL 6HM32 69 A0	Bottom-base revos basic made of aluminum, with single locking lever and cable gland M32 on the right and left side (IP54), high version, 6-polig
73.334.0635.1	Bottom BAS GUT GL 6HM32 69 A1	Bottom-base revos basic made of aluminum, with single locking lever and threaded hole M32 on the right and left side, high version, 6-polig
73.335.0635.1	Bottom BAS GUT GM 6HM32 69 A1	Bottom-base revos basic made of aluminum, with single locking lever and threaded hole M32 on the left side, high version, 6-polig
73.340.0635.0	Bottom BAS GUT GR 6HM25 69 A0	Bottom-base revos basic made of aluminum, with single locking lever and cable gland M25 on the right and the left side, with protective cover (IP54), high version, 6-polig

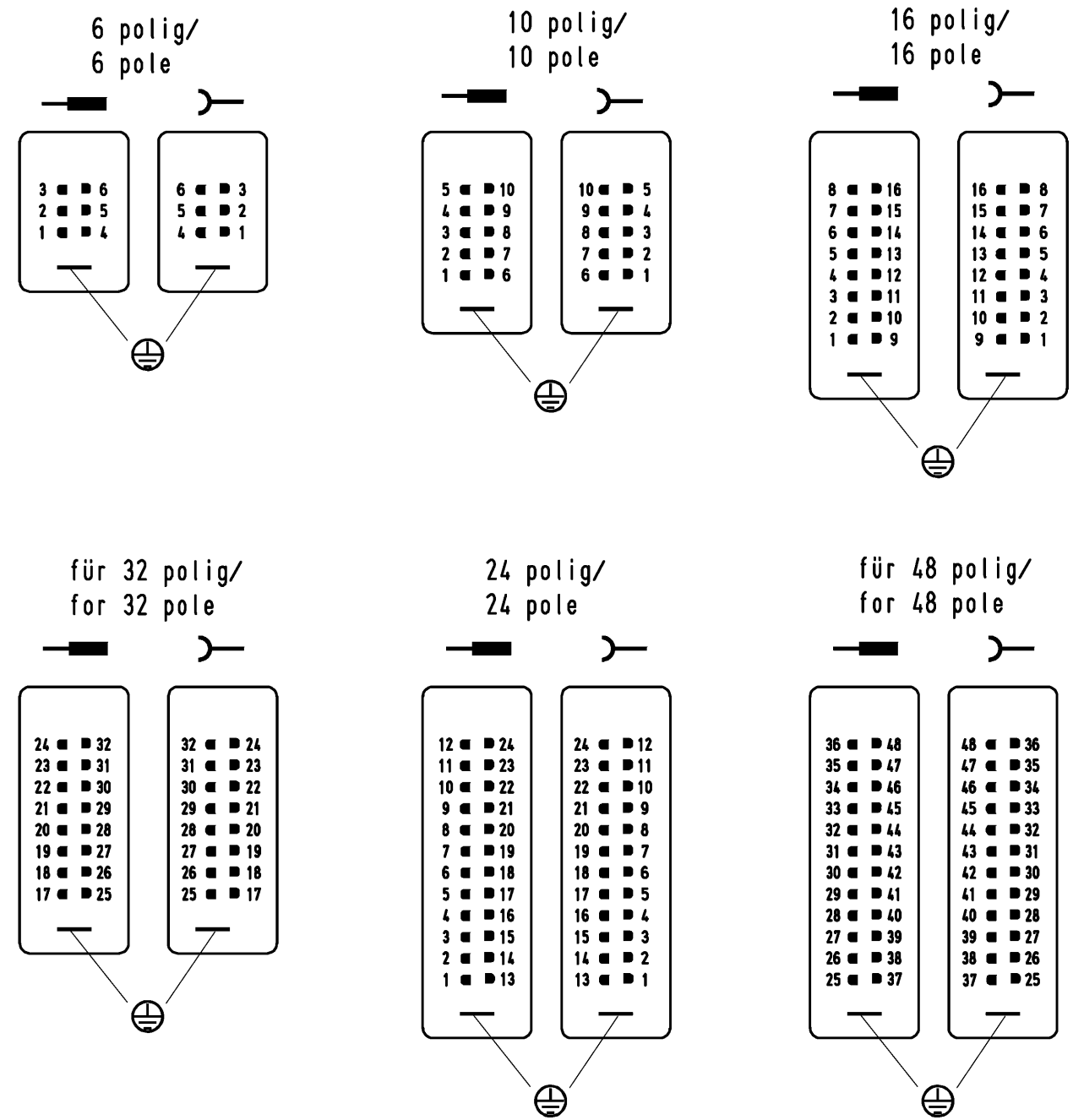
73.340.0635.1	Bottom BAS GUT GR 6HM25 69 A1	Bottom-base revos basic made of aluminum, with single locking lever and threaded hole M25 on the right and the left side, with protective cover, high version, 6-polig
73.341.0635.0	Bottom BAS GUT GS 6HM25 69 A0	Bottom-base revos basic made of aluminum, with single locking lever and cable gland M25 on the left side, with protective cover (IP54), high version, 6-polig
73.341.0635.1	Bottom BAS GUT GS 6HM25 69 A1	Bottom-base revos basic made of aluminum, with single locking lever and threaded hole M25 on the left side, with protective cover, high version, 6-polig
73.342.0635.0	Bottom BAS GUT GT 6HM25 69 A0	Bottom-base revos basic made of aluminum, with single locking lever and cable gland M25 on the right side, with protective cover (IP54), high version, 6-polig
73.342.0635.1	Bottom BAS GUT GT 6HM25 69 A1	Bottom-base revos basic made of aluminum, with single locking lever and threaded hole M25 on the right side, with protective cover, high version, 6-polig
73.344.0635.1	Bottom BAS GUT GR 6HM32 69 A1	Bottom-base revos basic made of aluminum, with single locking lever and threaded hole M32 on the right and the left side, with protective cover, high version, 6-polig
73.345.0635.1	Bottom BAS GUT GS 6HM32 69 A1	Bottom-base revos basic made of aluminum, with single locking lever and threaded hole M32 on the left side, with protective cover, high version, 6-polig
73.346.0635.1	Bottom BAS GUT GT 6HM32 69 A1	Bottom-base revos basic made of aluminum, with single locking lever and threaded hole M32 on the right side, with protective cover, high version, 6-polig
70.415.0653.0	Male insert BAS STP 6 2,5 50 AG	Male insert revos basic, 6-poles, rated current: 16A, rated voltage: 500V, with silver-plated contacts
70.110.0653.3	Multipole adapter BAS SAS LL 6 4,0 50	Multipole adapter revos BASIC 500V/16A screw connection 6 pole + ground, long design, male insert, ground left
70.110.0653.4	Multipole adapter BAS SAS KL 6 4,0 50	Multipole adapter revos BASIC 500V/16A screw connection 6 pole + ground, short design, male insert, ground left
70.115.0653.3	Multipole adapter BAS SAS LR 6 4,0 50	Multipole adapter revos BASIC 500V/16A screw connection 6 pole + ground, long design, male insert, ground right
70.115.0653.4	Multipole adapter BAS SAS KR 6 4,0 50	Multipole adapter revos BASIC 500V/16A screw connection 6 pole + ground, short design, male insert, ground right
70.111.0653.0	Multipole adapter BAS SAF KL 6 2,5 50	Multipole adapter revos BASIC 500V/16A spring clamp connection 6 pole + ground, short design, male insert, ground left
70.116.0653.0	Multipole adapter BAS SAF KR 6 2,5 50	Multipole adapter revos BASIC 500V/16A spring clamp connection 6 pole + ground, short design, male insert, ground right
70.310.0602.0	Male insert BAS BUS OD 6 2,5 50	Female insert revos basic, 6-poles, rated current: 16A, rated voltage: 500V, with tin-plated contacts
70.310.0640.0	Male insert BAS STS 6 2,5 50	Male insert revos basic, 6-poles, rated current: 16A, rated voltage: 500V, with tin-plated contacts
70.311.0640.0	Male insert BAS STS 6 2,5 50 AU	Male insert revos basic, 6-poles, rated current: 16A, rated voltage: 500V, with gold-plated contacts
70.312.0640.0	Male insert BAS STS OD 6 2,5 50	Male insert revos basic, 6-poles, rated current: 16A, rated voltage: 500V, with tin-plated contacts

These dimensions will be especially checked at delivery
 Only inspection dimensions
 With /E gekennzeichnete Maße sind nur für interne Zwecke gültig
 Diese Maße werden bei Abnahme besonders geprüft
 Ausschließlich Prüfmaße
 Mit /E gekennzeichnete Maße sind nur für interne Zwecke gültig



Polbild Anschlussseite/pole assignment

M 1:2



a		70.415.4853.0	BAS STP 48 50 AG	104	110,3	24	Steckereinsatz male insert		
		70.415.3253.0	BAS STP 32 50 AG	77,1	83,5	16			
		70.415.2453.0	BAS STP 24 50 AG	104	110,3	24			
		70.415.1653.0	BAS STP 16 50 AG	77,1	83,5	16			
	X	70.415.1053.0	BAS STP 10 50 AG	57	63,4	10			
		70.415.0653.0	BAS STP 06 50 AG	44	50	6			
	a		70.405.4853.0	BAS BUP 48 50 AG	104	110,3		24	Buchseinsatz socket insert
			70.405.3253.0	BAS BUP 32 50 AG	77,1	83,5		16	
			70.405.2453.0	BAS BUP 24 50 AG	104	110,3		24	
			70.405.1653.0	BAS BUP 16 50 AG	77,1	83,5		16	
X		70.405.1053.0	BAS BUP 10 50 AG	57	63,4	10			
		70.405.0653.0	BAS BUP 06 50 AG	44	50	6			
	dar- gestellt /drawn	Bestellnummer /Order number	Typ /Type	L1	L2	Polzahl number of poles			

Weitere Daten siehe KATALOG oder eKatalog.
 Additional data see CATALOG or eCatalog.

www.wieland-electric.com
 eshop.wieland-electric.com

Tolerierung Size ISO 14405/Tolerance system Size ISO 14405.
 (This ISO-standard describes the envelope principle. According to the envelope principle the deviations of form and parallelism are limited by the size tolerances).

ja/yes Stoffverbots- und Deklarationsliste nach WN 5020.010 ist einzuhalten.
 Conformity with Wieland document WN 5020.010 e (list of prohibited /
 declarable hazardous substances) to be declared!

Freitoleranz nach General tolerance CAD - Zeichnung, keine manuellen Änderungen CAD - drawing, no manual modifications allowed 1.Verwendung: First Use: Blatt: 1 von 1 Sheet: of 1

gezeichnet drawn	03.03.	Quetsch T.	T	70.405.0653.0 13K	a
geprüft checked	-	-			
Normgepr. Stand. check	-	-			

Maße in mm/Dimensions are in mm

Ersatz für/Replacement for: -

www.wieland-electric.com

KONTAKTE INSATZ
 Buchseinsatz/Steckereinsatz Push-in Anschluss
 socket insert / male insert push-in connection

Weitergabe sowie Vervielfältigung dieses Dokuments, Verwertung und Mitteilung seines Inhalts sind verboten, soweit nicht ausdrücklich gestattet. Die Reproduktion, Distribution und Nutzung dieses Dokuments sowie die Kommunikation der Inhalte ist ohne schriftliche Genehmigung von Wieland-Electric GmbH ist untersagt.