

## Data sheet

Commercial Art.No.: X6.051.6053.1

Device connector RST20I5SXB1 M00 SW

RST20i5 device connector M20with ATEX-authorization, , 5 pole, female, screw connection, modular, application 250/400V with PE, 20A, coding color black, color of housing black



Commercial Art.No.	X6.051.6053.1
EAN	4015573989504
Order Unit	1

Certificates / Approvals

**SEV-Ex**

## Technical data

### Classification

ECLASS 11	
ECLASS 8.1	27440602
ETIM 7.0	EC002566
ETIM 6.0	EC002566
ETIM 5.0	EC002566
ETIM 4.0	EC002566

### General

Rated current	20 A
Rated voltage	250 V / 400 V
Pollution degree	3
Rated impulse voltage	4 kV
Lockable	self-locking (unlocking by tool)
Color of coding/ contact carrier	black
Marking of poles	1, 2, 3, N, PE
Color of separate adapter (if present)	black
Explosion-tested version	yes

### Model

Model	female
Connection type	screw connection
Connecting thread metric	M20
Angle of plug	straight
Degree of protection (IP)	IP66/68 (3m;2h) /IP69
Thickness of housings (electrical device) 2	0.5 mm

Thickness of housings (electrical device)	8 mm
---	------

#### Material

Housing material	Polyamide
halogen free	yes
Contact material	CuZn
Fire load	0.21 kWh
Insulation components continuous temperature	100 °C
Surface finish	Silver-plated

#### Connection Data

Connection cross section solid mm <sup>2</sup> max.	2.5 mm <sup>2</sup>
Connection cross section solid mm <sup>2</sup> min.	1.5 mm <sup>2</sup>
Connection cross section fine stranded mm <sup>2</sup> max.	2.5 mm <sup>2</sup>
Connection cross section fine stranded mm <sup>2</sup> min.	1.5 mm <sup>2</sup>
Terminations per pole	1
Wire strip length	8 mm

#### Dimensions

Length	68.2 mm
Width	34.6 mm
Height	34.6 mm

#### Note

Note	fine-stranded and stranded wires have to be used without ferrules; Positioning realised with flattened thread
------	--

#### Product compliance

ROHS conformity status	Compliant/Exempted
ROHS exceptions	III-6(c)
REACH-SVHC conformity status	Duty-To-Declare
REACH-SVHC substances	Lead
REACH-SVHC CAS numbers	7439-92-1

#### Accessories

Commercial Art.No.:	Article-type description:	Description:
99.530.0000.7	Cover for female connector SW	RST20i5/4 cover piece, for covering unused female connectors, with fastening belt, color black
Z5.565.9853.1	Cover for female connector SW	RST20i5/4 cover piece, for covering unused female connectors, color black
05.564.8653.1	Opener RST20i3/i5 SCHWARZ	Manual disconnect for later installation of RST connectors, color black

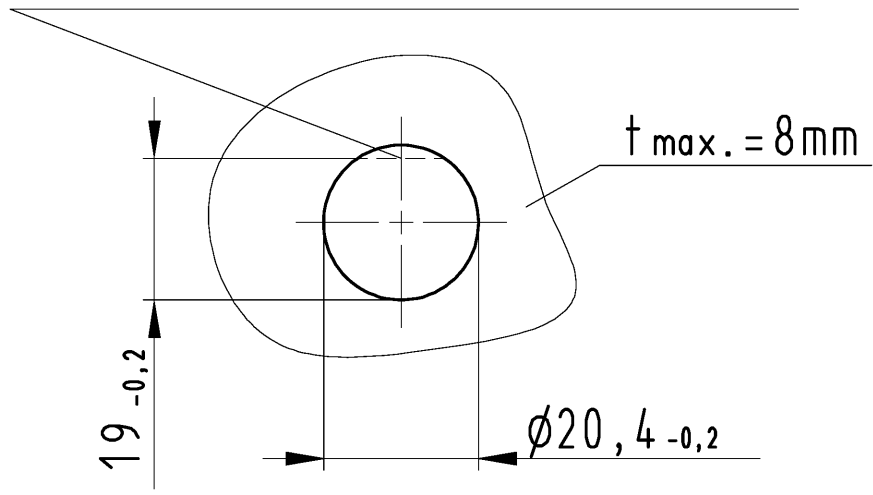
#### Fits with

Commercial Art.No.:	Article-type description:	Description:
X6.052.4053.1	Connector RST20i5SXS1 ZR1 V SW	RST20i5 connector with ATEX-authorization, 5 pole, male, screw connection, application 250/400V with PE, 20A, for cable diameters 6-10mm, coding color black, color of housing black

X6.052.4153.1	Connector RST20I5SXS1 ZR2 V SW	RST20i5 connector with ATEX-authorization, 5 pole, male, screw connection, application 250/400V with PE, 20A, for cable diameters 10-14mm, coding color black, color of housing black
X6.052.4553.1	Connector RST20I5SXS1 ZR2SV SW	RST20i5 connector with ATEX-authorization, 5 pole, male, screw connection, application 250/400V with PE, 20A, for cable diameters 14-18mm, coding color black, color of housing black

M20 & M16 7°

wahlweise Verdrehsicherung  
optional protection against twisting



**Bitte beachten:**

Gehäusematerial, Wandstärken, Lackierung und Entgratung können die Passgenauigkeit beeinflussen.

**Please note:**

Panel material and thickness, deburring and coating thickness may influence the cut out dimension.

These dimensions will be especially checked at delivery  
Only inspection dimensions  
With /E marked dimensions are only valid for internal use

Diese Maße werden bei Abnahme besonders geprüft  
Ausschließlich Prüfmaße  
Mit /E gekennzeichnete Maße sind nur für interne Zwecke gültig

Weitergabe sowie Vervielfältigung dieses Dokuments, Verwertung und Mitteilung seines Inhalts sind verboten, soweit nicht ausdrücklich gestattet. Die Reproduktion, Distribution und Utilization of this document as well as the communication of its contents to others without express authorization is prohibited.

Tolerierung Size ISO 14405(E)/Tolerance system Size ISO 14405(E). (This ISO-standard describes the envelope principle. According to the envelope principle the deviations of form and parallelism are limited by the size tolerances).				ja/yes <input checked="" type="checkbox"/> Stoffverbots- und Deklarationsliste nach WN 5020.010 ist einzuhalten. Conformity with Wieland document WN 5020.010 e (list of prohibited / declarable hazardous substances) to be declared!			
Freitoleranz nach General tolerance		CAD - Zeichnung, keine manuellen Änderungen CAD - drawing, no manual modifications allowed		1.Verwendung: - First Use:		Blatt: 1 von 1 Sheet: 1 of 1	
	/	Werkstoff/Material	2015	Tag/Date	Name	Zeichnung Nr./Drawing No.	
	/		gezeichnet drawn	11.06.	Dütsch T.	96.031.2053.1 14K	
	/		geprüft checked	-	-		
	/		Normgepr. Stand. check	-	-	Maße in mm/Dimensions are in mm	
	/	Vol. mm <sup>3</sup>	Ofl./Surf. mm <sup>2</sup>	Ersatz für/Replacement for: -			
	/	 <b>wieland</b> <a href="http://www.wieland-electric.com">www.wieland-electric.com</a>		Type	Benennung/Title		
	/			<b>OPENING DIMENSION</b> <b>OEFFNUNGSMASSBILD</b>			
	/			Geräteanschluss / device connectors M20 & M16 7°			
Index	Datum / Blatt Date / Sheet						
Änderung/Revision							