

Vatronics Technologies Limited

•
•

3296 9mm Square Multi-Turn Trimmer Potentiometers

Vatronics makes 3296W,3296X,3296P,3296Y,3296Z Series.

Dimensions: 9.50 x 10.00 x 4.85mm

Electrical

•Characteristics

Range•of•resistance: 10Ω—2MΩ•Resistance•tolerance: ±10%

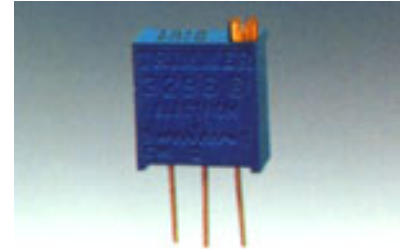
Terminal•resistance ≤2Ω•or•1%R Contact•resistance•variation:

CRV≤3%R•or•3Ω Insulation•resistance $R_e \geq 1G\Omega$

Withstand•voltage -600Vdc

Limit•current•of•moving•contact:•30mA

Effective•electrical•travel:•25±2•turns



3296W

Vatronics Environmental•Characteristics

Rated•power: (300Vmax) 0.5W•70••

Temperature range: -55•~+125•

TCR: ±100ppm/•;•±250ppm/•

Temperature•variation -55•,30min,+125•,30min5cycles

$\Delta R \leq 2\%R$,• $\Delta(U_{ab}/U_{ac}) \leq 1\%$ Collision 390m/s²•4000cycles

$\Delta R \leq 1\%R$ Vibration 10—2000HZ•0.75mm,6h

$\Delta R \leq 1\%R$,• $\Delta(U_{ab}/U_{ac}) \leq 2\%$

Vatronics Total mechanical travel 28±2
•turns Starting•torque ≤36 mNm Di

Mark: Resistance code, resistance
•tolerance(±10% no indication), lot No.
Standard•package 50pcs/tube

Vatronics Climate•category $\Delta R \leq 3\%R$ • $R_e \geq 100M\Omega$

Enduranceat 70• 0.5W;1000h $\Delta R \leq 3\%R$ •CRV≤3%R

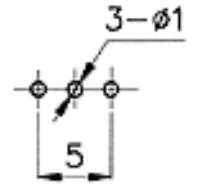
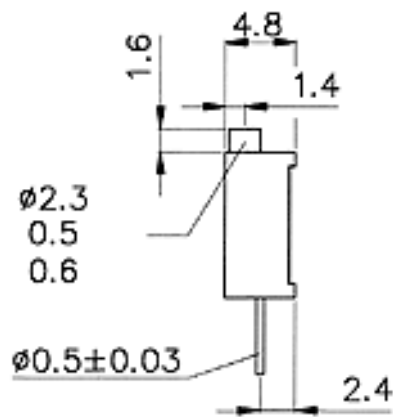
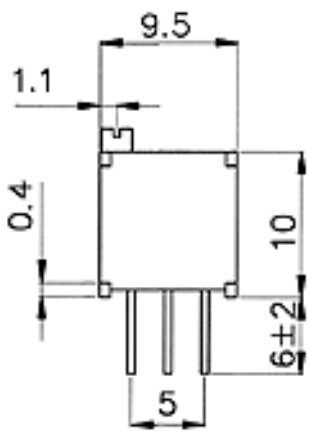
Mechanical•endurance

200•cycles $\Delta R \leq 3\%R$ •CRV≤3%R

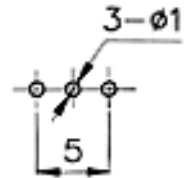
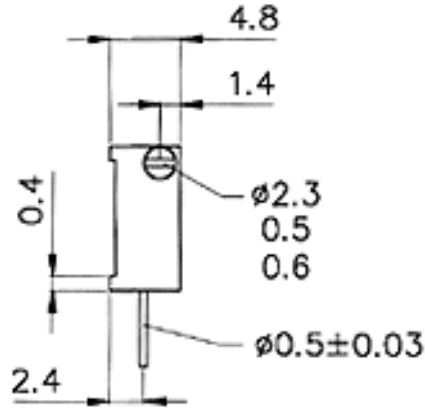
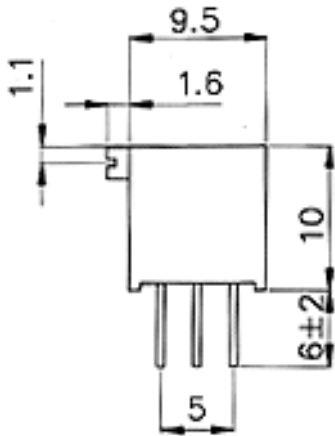
Steady•damp—heat $\Delta R \leq 3\%R$ • $R_e \geq 100M\Omega$ Physical•Characteristics

Vatronics Technologies Limited

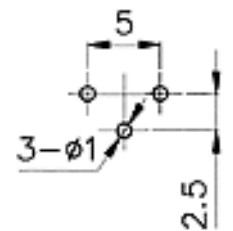
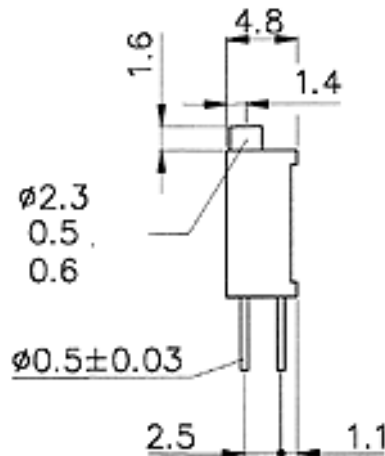
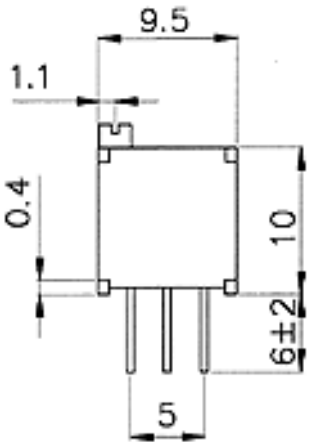
**Unit B, 25 Floor, Xinhua building, Bank of China Tower, Futian District, Shenzhen, Guangdong Province,
China. Tel:+8675583509265 Fax +8675582469423 sales@vatronics.com**



Vatronics 3296W DRAWING



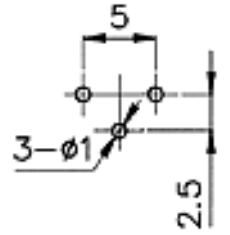
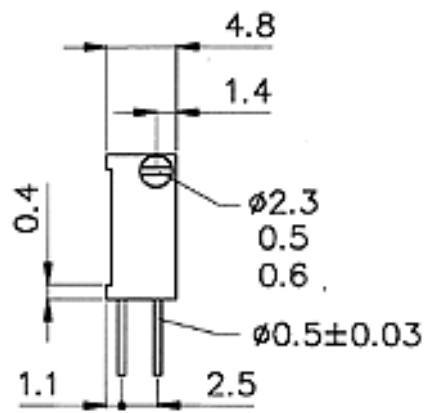
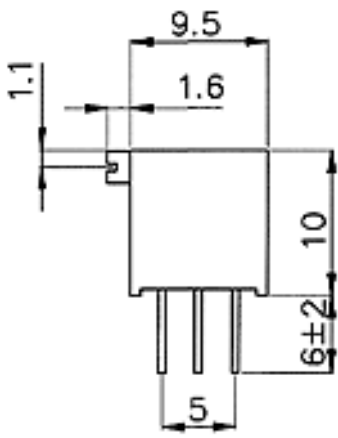
Vatronics 3296X DRAWING



Vatronics 3296Y DRAWING

Vatronics Technologies Limited

Unit B, 25 Floor, Xinhua building, Bank of China Tower, Futian District, Shenzhen, Guangdong Province, China. Tel: +8675583509265 Fax +8675582469423 sales@vatronics.com



Vatronics 3296Z DRAWING

Vatronics Technologies Limited

Unit B, 25 Floor, Xinhua building, Bank of China Tower, Futian District, Shenzhen, Guangdong Province, China. Tel:+8675583509265 Fax +8675582469423 sales@vatronics.com