

Data sheet

Commercial Art.No.: 41.052.4053.1

Device connector RST08i5 S S1 M02H SW

RST08i5 Device connector, standard, straight, M16,6, number of poles 5, model male, connection type screw connection, rated voltage 250 V / 400 V, rated current 8 A, color of coding/ contact carrier black



Commercial Art.No.	41.052.4053.1
EAN	4049088556418
Order Unit	1

Technical data

General

Rated current	8 A
Rated voltage	250 V / 400 V
Pollution degree	3
Mechanical coding	yes
Rated impulse voltage	2.5 kV
Continuity resistor	0.55 mOhm
Lockable	self-locking (unlocking by hand)
Color of coding/ contact carrier	black
Marking of poles	1, 2/N, 3, 4, PE

Connection Data

Connection cross section solid mm ² max.	1 mm ²
Connection cross section solid mm ² min.	0.2 mm ²
Connection cross section fine stranded mm ² max.	1 mm ²
Connection cross section fine stranded mm ² min.	0.22 mm ²
Terminations per pole	1
Wire strip length	6 mm

Technical Data UL

Connection cross section solid AWG min.	24 AWG
Connection cross section solid AWG max.	16 AWG
Connection cross section stranded AWG min.	24 AWG

Model

Model	male
-------	------

Connection type	screw connection
Connecting thread metric	M16,6
Angle of plug	straight
Degree of protection (IP)	IP66/68 (3m;2h) /IP69
Thickness of housings (electrical device)	5 mm

Material

Housing material	Polyamide
Halogen free	yes
Contact material	CuZn
Fire load	0 kWh
Surface finish	Silver-plated

Dimensions

Length	23.9 mm
Width	20 mm
Height	20 mm

Note

Note	RST® terminals with screw clamping allow the connection of conductors without special preparation (without ferrules) according to EN 60999-1.; Positioning realised with flattened thread
------	---

Classification

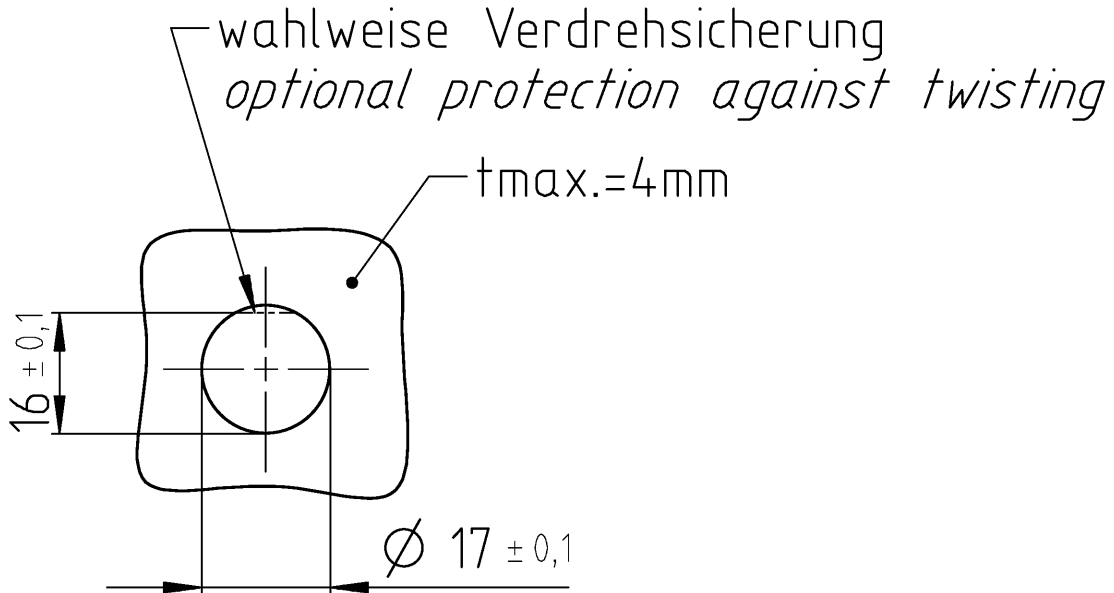
ECLASS 11	
ECLASS 8.1	27440602
ETIM 7.0	EC002566
ETIM 6.0	EC002566
ETIM 5.0	EC002566
ETIM 4.0	EC002566

Product compliance

ROHS conformity status	Compliant
REACH-SVHC conformity status	Compliant

A Weitergabe sowie Vervielfältigung dieses Dokuments, Verwertung und Mitteilung seines Inhalts sind verboten, soweit nicht ausdrücklich gestattet.
The reproduction, distribution and utilization of this document as well as the communication of its contents to others without express authorization is prohibited.

B These dimensions will be especially checked at delivery
Only inspection dimensions
With JE marked dimensions are only valid for internal use



D Diese Maße werden bei Abnahme besonders geprüft
Ausschließlich Prüfmaße
Mit JE gekennzeichnete Maße sind nur für interne Zwecke gültig

Bitte beachten:
Gehäusematerial, Wandstärken, Lackierung und Entgratung können die Passgenauigkeit beeinflussen.

Please note:
Panel material and thickness, deburring and coating thickness may influence the cut out dimension.

Tolerierung Size ISO 14405 © / Tolerance system Size ISO 14405 ©.
(This ISO-standard describes the envelope principle. According to the envelope principle the deviations of form and parallelism are limited by the size tolerances).

ja/yes Stoffverbots- und Deklarationsliste nach WN 5020.010 ist einzuhalten.
Conformity with Wieland document WN 5020.010 e (list of prohibited / declarable hazardous substances) to be declared!

Freitoleranz nach General tolerance CAD - Zeichnung, keine manuellen Änderungen CAD - drawing, no manual modifications allowed 1. Verwendung: First Use: Blatt: 1 von 1 Sheet: of 1

Werkstoff / Material		Tag/Date	Name	Zeichnung Nr. / Drawing No.		Index
		gezeichnet drawn	13.02.2020	Hollet	41.051.4053.1 14K	
		geprüft checked				
Maßstab / Scale		Normgepr. Stand. check	Maße in mm / Dimensions are in mm			
1:1						
Vol.	mm ³	Ofl./Srf.	mm ²	Ersatz für / Replacement for:		
Type		Benennung/Title				
www.wieland-electric.com		RST				
MICRO		OEFFNUNGSMASSBILD				
4/5P		opening dimension				
Index	Datum / Blatt Date / Sheet					
Änderung / Revision						