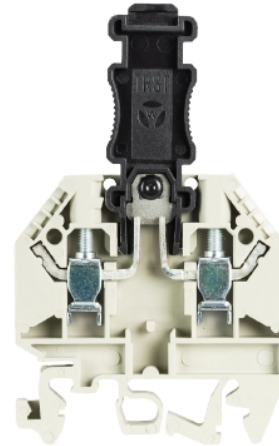


Data sheet

Commercial Art.No.: 57.504.4855.0

Disconnect terminal WK 4 TKG-TRST P3/ U/V0

Plug disconnect terminal block with screw connection for mounting on TS 35 and TS 32, nominal cross section 4 mm², width 6 mm, color gray



Commercial Art.No.	57.504.4855.0
EAN	4015573541702
Order Unit	100

Certificates / Approvals



Technical data

General

Nominal cross section	4 mm ²
Color	Grey
Number of levels	1
Number of clamp positions per level	2
Width/grid dimension	6 mm
Insulating housing	PA666
Inflammability class of insulation material acc. with UL94	V0
Mounting method	DIN rail (top hat rail)/G-rail
Terminal blocks for electrical installations	No

Technical data

Rated current	20 A
Rated voltage	400 V
Rated impulse voltage	4 kV
Pollution degree	3
Closing plate required	yes
Type of insulation material	Thermoplastic
Length	48 mm

Connection Data

Connection type 1	screw connection
Connection type 2	screw connection

Minimum cross section solid	0.5 mm ²
Maximum cross section solid	6 mm ²
Minimum cross section fine stranded	0.5 mm ²
Maximum cross section fine stranded	4 mm ²
Wire strip length	9 mm
Torque conductor mounting	0.5 Nm

Technical Data UL/CSA

Cross section UL	22-10 AWG
Voltage UL	300 V
Current factory wiring	10 A
Current field wiring	10 A
Cross section CSA	22-10 AWG
Voltage CSA	600 V
Current CSA	20 A

Note

Integrated test socket	yes
------------------------	-----

Classification

ECLASS 11	
ECLASS 8.1	27141126
ETIM 7.0	EC000902
ETIM 6.0	EC000902
ETIM 5.0	EC000902
ETIM 4.0	EC000902
ETIM 3.0	EC000902

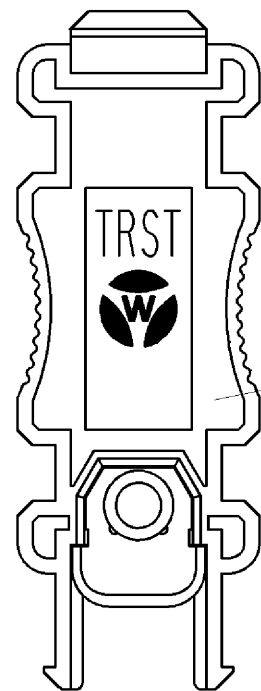
Product compliance

ROHS conformity status	Compliant/Exempted
ROHS exceptions	III-6(c)
REACH-SVHC conformity status	Duty-To-Declare
REACH-SVHC substances	Lead
REACH-SVHC CAS numbers	7439-92-1

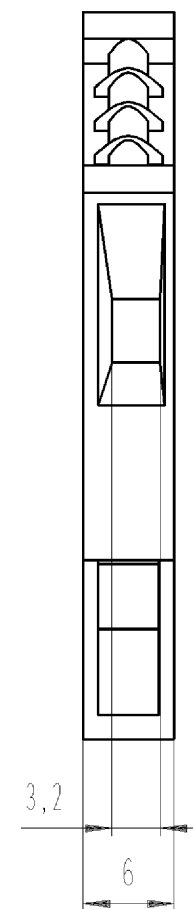
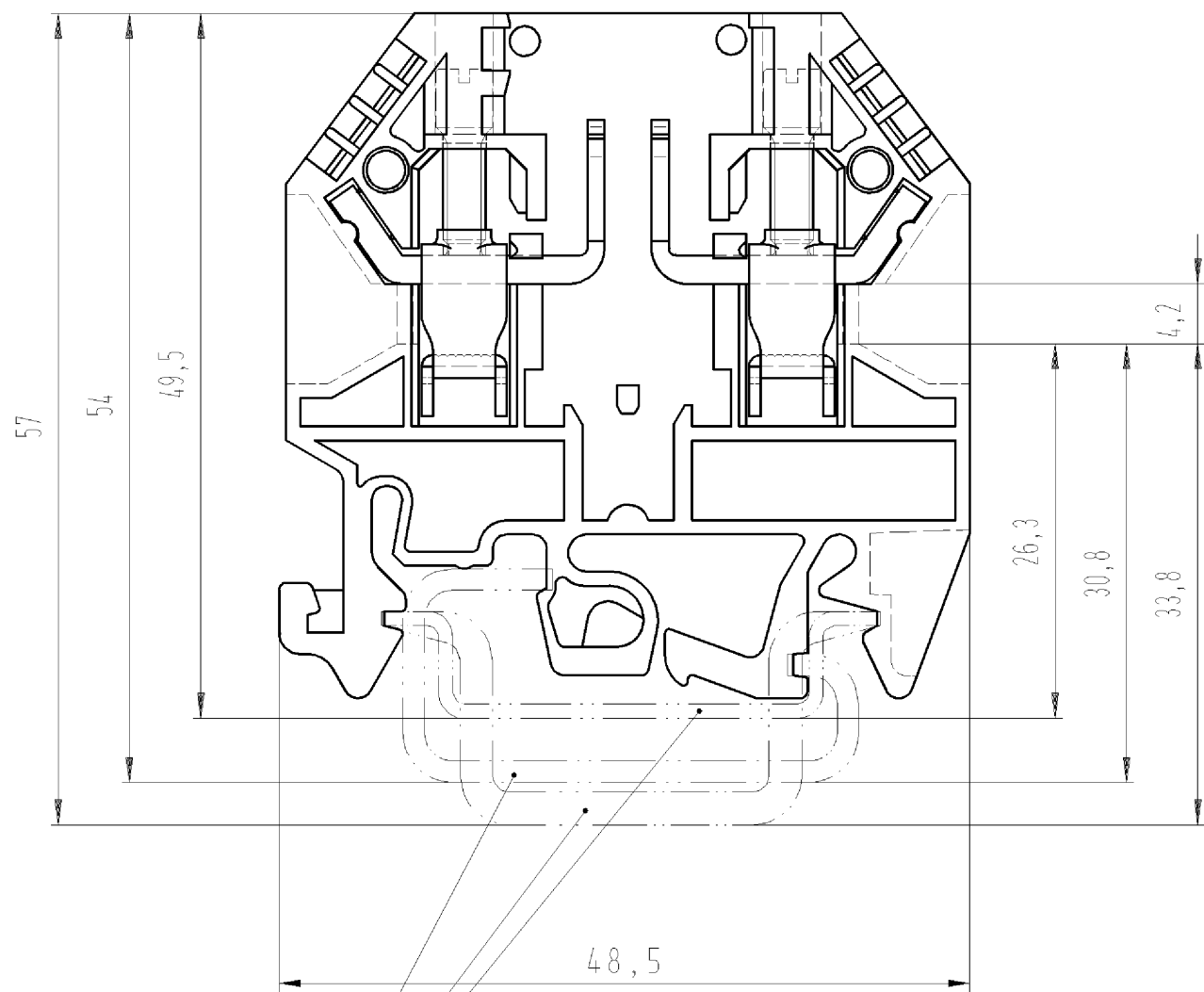
Accessories

Commercial Art.No.:	Article-type description:	Description:
Z7.255.4227.0	Jumper bar IVB 1 WK4.. - 2	Jumper comp, insulated for DIN rail terminal blocks type WK ..., 2 - pole
Z7.255.4327.0	Jumper bar IVB 1 WK4.. - 3	Jumper comp, insulated for DIN rail terminal blocks type WK ..., 3 - pole
Z7.255.4427.0	Jumper bar IVB 1 WK4.. - 4	Jumper comp, insulated for DIN rail terminal blocks type WK ..., 4 - pole
Z7.255.4527.0	Jumper bar IVB 1 WK4.. - 5	Jumper comp, insulated for DIN rail terminal blocks type WK ..., 5 - pole
Z7.255.4627.0	Jumper bar IVB 1 WK4.. - 6	Jumper comp, insulated for DIN rail terminal blocks type WK ..., 6 - pole
98.190.0000.0	Mounting rail TS 32 UNPERF - l:2000mm	Mounting rail G 32, unslotted, Höhe 5,5 mm, length 2 m, material steel. galv. zinc-plated and dichromated

98.190.1000.0	Mounting rail TS 32 PERF 15mm - l:2000mm	Mounting rail G 32, slotted, Höhe 15 mm, length 2 m, material steel. galv. zinc-plated and dichromated
98.210.0000.0	Mounting rail TS 32 UNPERF AL - l:2000mm	Mounting rail G 32, unslotted, Höhe 15 mm, length 2 m, material Aluminium
98.220.0000.0	Mounting rail TS 32 UNPERF CU - l:2000mm	Mounting rail G 32, unslotted, Höhe 15 mm, length 2 m, material E copper
98.300.0000.0	Mounting rail TS 35x7,5 UNPERF - l:2000mm	Mounting rail TS 35, unslotted, size 7,5 mm, length 2 m, material steel. galv. zinc-plated and dichromated
98.300.1000.0	Mounting rail TS 35x7,5 PERF 15mm - l:2000mm	Mounting rail TS 35, slotted, size 7,5 mm, length 2 m, material steel. galv. zinc-plated and dichromated
98.300.1900.0	Mounting rail TS 35x7,5 PERF 25mm - l:2000mm	Mounting rail TS 35, slotted, size 7,5 mm, length 2 m, material steel. galv. zinc-plated and dichromated
98.360.0000.0	Mounting rail TS 35x15-2,3 UNPERF - l:2000mm	Mounting rail TS 35, unslotted, size 15 mm, length 2 m, material steel. galv. zinc-plated and dichromated
98.360.0004.0	Mounting rail TS 35x15-2,3 UNPERF FZN - l:2000mm	Mounting rail TS 35, unslotted, size 15 mm, length 2 m, material steel, hot galvanized
98.370.0000.0	Mounting rail TS 35x15 UNPERF - l:2000mm	Mounting rail TS 35, unslotted, size 15 mm, length 2 m, material steel. galv. zinc-plated and dichromated
98.370.1000.0	Mounting rail TS 35x15 PERF 15mm - l:2000mm	Mounting rail TS 35, slotted, size 15 mm, length 2 m, material steel. galv. zinc-plated and dichromated
98.380.0000.0	Mounting rail TS 35x15-2,3 UNPERF CU - l:2000mm	Mounting rail TS 35, unslotted, size 15 mm, length 2 m, material E copper
07.311.6155.0	End plate AP 4 TK /V0	End plate for DIN rail terminal blocks type WK 4 TK..., color: grey
07.311.8155.0	Partition TW 4 TK... /V0	Partition for DIN rail terminal blocks type WK 4 TK..., color: grey
98.300.1800.0	Mounting rail TS 35x7,5 PERF 18mm - l:2000mm	Mounting rail TS 35, slotted, size 7,5 mm, length 2 m, material steel. galv. zinc-plated and dichromated



Z1.299.0555.0
beigelegt
attached



Weitere Daten siehe Katalog
further data see catalog

Hutschiene EN 60715-35x7,5
mounting rail EN 60715-35x7,5

Hutschiene EN 60715-35x15
mounting rail EN 60715-35x15

G-Schiene EN 60715-G32
G-rail EN 60715-G32

○ Diese Maße werden bei Abnahme besonders geprüft
○ Ausschließlich Prüfmaße
○ Mitz./E. gekennzeichnete Maße sind nur für interne Zwecke gültig

Freitoleranz nach		CAD - Zeichnung, keine manuellen Änderungen			1. Verwendung: -		Bl.: 1 von 1			
	/	Maßstab	Werkstoff und Oberfläche:		2004	Tag	Name			
	/				Entworfen	08.10.	Schmitt J.		Zeichnung Nr. 57.504.4855.0 01K	Index
	/				Geprüft	-	-			
	/	Vol.	mm ³	Ofl.	mm ²	Normgepr.	-	Ersatz für: -		
	/	wieland Elektrische Verbindungen		WK4 TKG-		Benennung				
	/			TRST P3/U/VO		STECKERTRENNKLEMME mit 2 Prüfbuchsen / with left a. right test socket Plug-in disconnect terminal				
Buchstabe	Datum / Blatt	Änderung								

Weitergabe sowie Vervielfältigung dieses Dokuments, Verwertung und Mitteilung seines Inhalts sind verboten, soweit nicht ausdrücklich gestattet. The reproduction, distribution and utilization of this document as well as the communication of its contents to others without express authorization is prohibited.

575044855001K_4_CAD/028_Schnitt 2004-10-12/120542_1.000