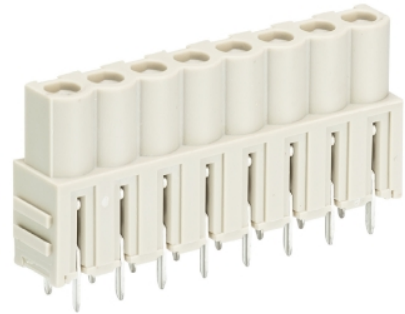


Data sheet

Commercial Art.No.: 25.342.1053.0

PCB connector 8213 BL / 10 G

PCB female connector with pin header, connection method depends on used socket part , 10 poles, printed version, pitch: 5.08 mm, type of packing: carton, color: grey



| | |
|--------------------|---------------|
| Commercial Art.No. | 25.342.1053.0 |
| EAN | 4015573355590 |
| Order Unit | 50 |

Certificates / Approvals



Technical data

General

| | |
|------------------------------------|----------------------|
| Modular spacing | 5.08 mm |
| Connection type | Soldering connection |
| Soldering process | Wave soldering |
| Packaging | Carton |
| Number of poles | 10 |
| Marking | yes |
| Fastening | None |
| Mating direction towards connector | None |

Technical data

| | |
|--------------------------|---------------------|
| Nominal cross section | 2.5 mm ² |
| Rated current | 12 A |
| Overvoltage Category I | 1000 V |
| Overvoltage Category II | 690 V |
| Overvoltage Category III | 250 V |
| Rated impulse voltage | 4 kV |

Technical Data UL/CSA

| | |
|------------------------|-------|
| Voltage UL | 300 V |
| Current field wiring | 15 A |
| Current factory wiring | 15 A |
| Voltage CSA | 300 V |
| Current CSA | 15 A |

Other

| | |
|-----------------------------|---------------|
| Type of insulation material | Thermoplastic |
|-----------------------------|---------------|

| | |
|---------------------------|----------|
| Color | Grey |
| Height | 10.04 mm |
| Length | 53 mm |
| Depth | 19 mm |
| Material attachment screw | None |
| Material contact base | Steel |
| Material contact surface | Sn |

Classification

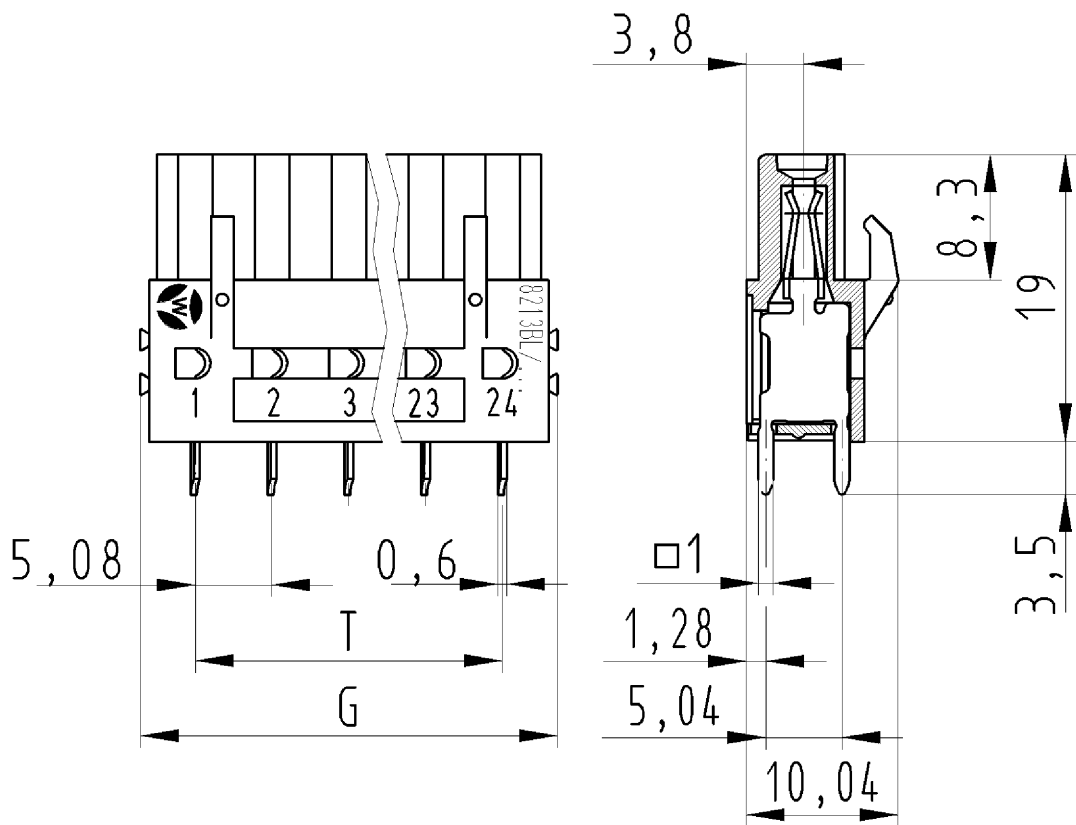
| | |
|------------|----------|
| ECLASS 11 | |
| ECLASS 8.1 | 27440402 |
| ETIM 7.0 | EC002637 |
| ETIM 6.0 | EC002637 |
| ETIM 5.0 | EC002637 |
| ETIM 4.0 | EC002637 |

Product compliance

| | |
|------------------------|-----------|
| ROHS conformity status | Compliant |
|------------------------|-----------|

Fits with

| Commercial Art.No.: | Article-type description: | Description: |
|---------------------|------------------------------------|---|
| 25.352.4053.0 | PCB pin header 8213 S / 10 W OB | PCB pin header, connection method depends on used socket part , 10 poles, pitch: 5.08 mm, type of packing: carton, color: grey |
| 25.350.4053.0 | PCB pin header 8213 S / 10 G OB | PCB pin header, connection method depends on used socket part , 10 poles, pitch: 5.08 mm, type of packing: carton, color: grey |
| 99.210.9996.2 | PCB pin header 8213 S / 10 W OB OF | PCB pin header, connection method depends on used socket part , 10 poles, pitch: 5.08 mm, type of packing: carton, color: white |
| 99.240.9996.1 | PCB pin header 8213 S / 10 G OB OF | PCB pin header, connection method depends on used socket part , 10 poles, pitch: 5.08 mm, type of packing: carton, color: black |



für folgende Tabellen-Zchnng.:
 25.342.2453.F 8213 BL/.. G

LP.KLEMME
 25.342.0253.0 10W
 22.11.2007 SCJ
 M 2:1

Weitergabe sowie Vervielfältigung dieses Dokuments, Verwertung und Mitteilung seines Inhalts sind verboten, soweit nicht ausdrücklich gestattet. The reproduction, distribution and utilization of this document as well as the communication of its contents to others without express authorization is prohibited.