

Data sheet

Commercial Art.No.: 00.729.0504.1

Flat cable XLPE 7G4 SCHWARZ

Tray cable 7 x 4 sq.mm XLPE, finely stranded, strands numerically coded; outside dimension approx. 35 x 6 mm, 600 V to UL, UL 1277, low smoke- zero halogen, silicon-free, coat black Please note the maximum length per cable drum is 500m.



Commercial Art.No.	00.729.0504.1
EAN	4015573800540
Order Unit	1

Certificates / Approvals



Technical data

General

Core insulation	Copolymer, thermoplastic
Core identification	Numbers
Low smoke (acc. EN50268-2)	No
Color outer sheath	black
Material outer sheath	Copolymer, cross-linked
Conductor category	Class 6 = very flexible
Halogen free (according to EN 50267-2-3)	yes
Yellow/green conductor	yes
Bending radius, static	100 mm
Screen	No
Number of cores	7
Cable width approx.	35 mm
Cable height approx.	6 mm
Oil resistant (acc. EN 60811-2-1)	yes
Cable weight per km	440 kg
Min. installation temperature	5 °C
Max. installation temperature	50 °C
Min. surface temperature fixed conductor	-30 °C
Max. surface temperature fixed conductor	90 °C

Technical data

Nominal cross section conductor	4 mm ²
Nominal voltage U _N	600 V

Nominal voltage U0	600 V
--------------------	-------

Classification

ECLASS 11	
ECLASS 8.1	27062002
ETIM 7.0	EC003250
ETIM 6.0	EC000825
ETIM 5.0	EC000825
ETIM 4.0	EC000825

Product compliance

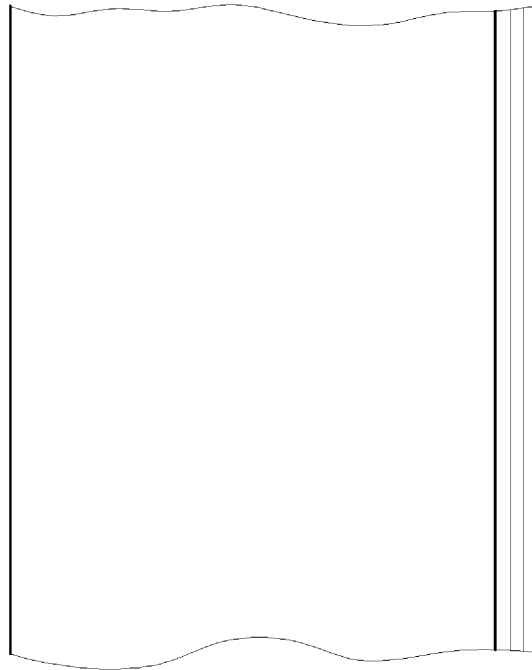
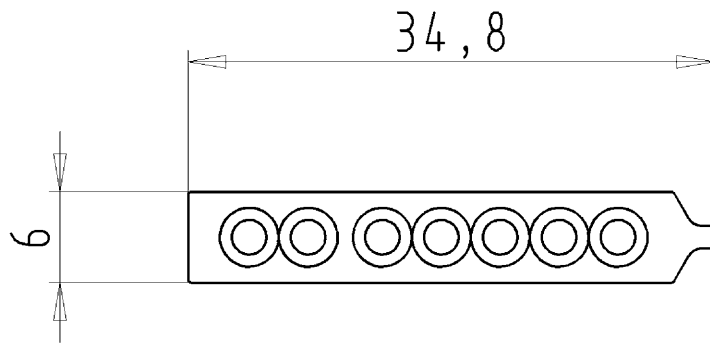
ROHS conformity status	Compliant
REACH-SVHC conformity status	Compliant

Accessories

Commercial Art.No.:	Article-type description:	Description:
Z5.562.7553.1	Cable end cap podis 7G4	Cable end cap for podis tray cable 7x2.5 mm ² and 7x4 mm ² ; protection IP65; black/transparent
05.562.3000.0	Cable clip Befestigungsschelle	Cable clip for flat cable

Fits with

Commercial Art.No.:	Article-type description:	Description:
75.010.0053.1	Distributor module FCS 4 7 SA SA SW	Distributor module FCS 4 7 SA SA; 7-pole 32 A; 7x32 A (VDE) or 7x30 A (UL/CSA); 500 V 6kV/3 (VDE) or 600 V (UL/CSA) with double terminals, 5 knock outs, 3 x podis flat cable, 2 x round cables M20/M25; black
75.015.5153.1	Flat cable outlet FCS 4 7 SI BU SW	Flat cable outlet, pluggable FCS 4 7 SI BU; 7-pole; 20 A; 277/480V 4kV/3 (VDE); 600V (UL, CSA); socket with plastic locking lever; Protection type IP65plugged or with protective cover 07.409.7256.0; black
75.015.5535.0	Add-on housing FCS 4 7 SA BU SU	Surface-mounting housing podisCON 7-pole 20A; socket insert for podisCON plug; connecion round cable 4 mm ² via screw terminal; degree of protection: IP65; with locking bracket; color: silver gray RAL 7001
75.018.0051.2	Connecting module FCS 4 7 SI FK	Connection module FCS 4 7 SI FK; 7-pole, 20 A; 277/480 V 4 kV/3 (VDE); protection type IP65; insulating piercing contact 1 x 4 sq.mm, finely stranded/single stranded via spring terminals; 4 knock outs (2 x M20, 2 x M25); black
99.800.4866.1	Flat cable outlet FCS 4 7 SI BU SW FM	Flat cable outlet, pluggable FCS 4 7 SI BU FM; with fix mounting plate for Obo-Bettermann wire tray; 7-pole, 20 A; 277/480 V 4 kV/3(VDE); 600 V (UL, CSA); socket with plastic locking lever; Protection type IP65 plugged or with protective cover 07.409.7256.0; black
99.801.4866.1	Connecting module FCS 4 7 SI FK FM	Connection module FCS 4 7 SI FK FM; with fix mounting plate for Obo-Bettermann wire tray; 7-pole, 20 A; 277/480 V 4 kV/3 (VDE); 600 V (UL, CSA); protection type IP65; insulating piercing contact 1 x 4/6 sq.mm, finely stranded/single stranded via spring terminals; 4 knock outs (2 x M20, 2 x M25); black



FLACHLEITUNG

00.729.0504.1 10W

21.09.2010 LUS

M 2:1

Weitergabe sowie Vervielfältigung dieses Dokuments, Verwertung und Mitteilung seines Inhalts sind verboten, soweit nicht ausdrücklich gestattet.
The reproduction, distribution and utilization of this document as well as the communication of its contents to others without express authorization is prohibited.