

REVISION RECORD

| REV | ECN | DESCRIPTION | DRFT | DATE |
|-----|-----|-------------|------|------|
|-----|-----|-------------|------|------|

NOTES1:

UL Standard

- 1.Rated voltage/current : 300V / 15A
- 2.Withstanding voltage : AC1600V/1Min.
- 3.Wire range : 22~14AWG

IEC Standard

| | |
|--------------------------|-------|
| 1. Pollution Degree | 3 |
| Overvoltage Category | III |
| Rate Impulse Voltage(KV) | 4.0KV |
| Rate Voltage(V) | 320V |
| Rate Current(A) | 20A |

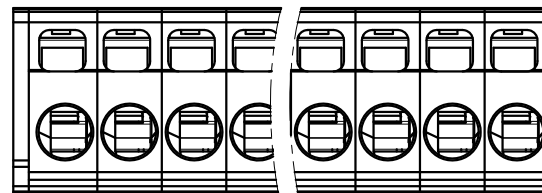
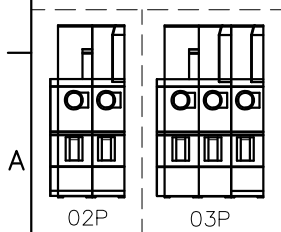
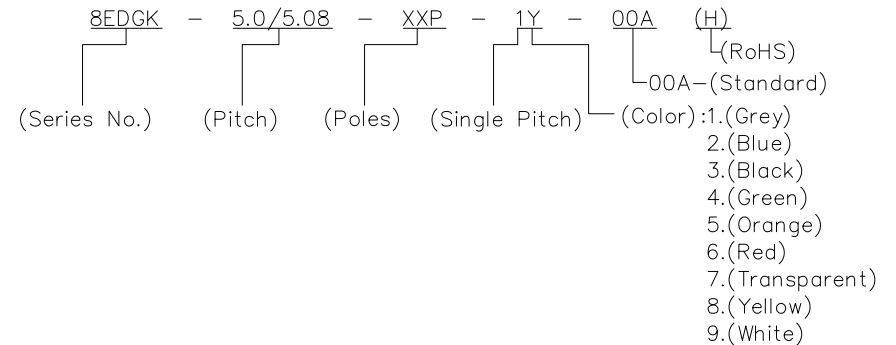
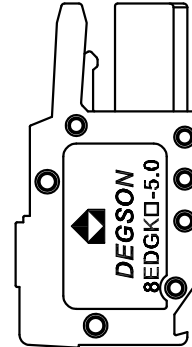
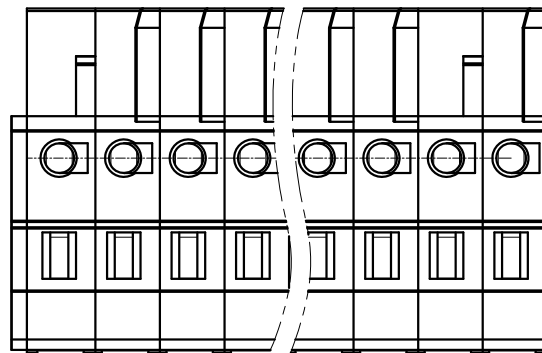
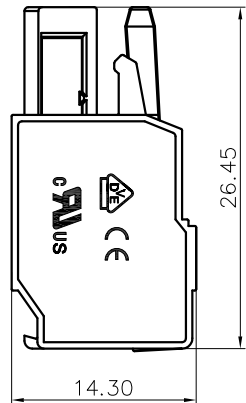
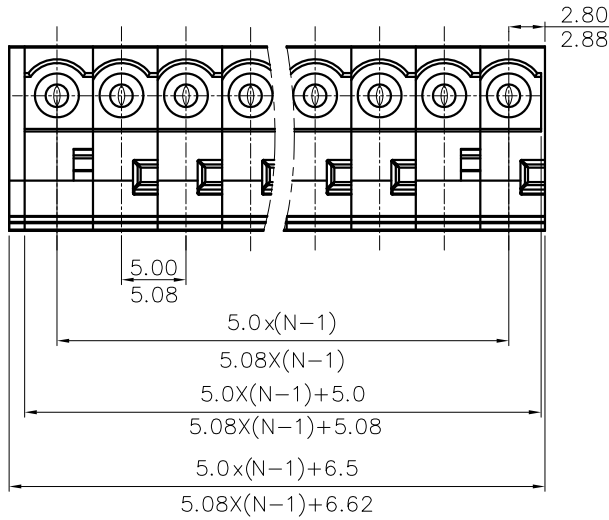
2.Wire range : 0.2~2.5mm²

NOTES2:

- 1.Dimension shall be interpreted per ASME Y14.5-2009
- 2.Pitch : 5.0/5.08mm, Poles : N=02~24P
- 3.Stripping length : 8~9mm
- 4.Operating temperature: -40°C~+105°C
- 5.Undimensioned tolerances:

| Pitch range in mm | | | Nominal dimension range in mm | | | | Tolerance | |
|-------------------|---------|-------|-------------------------------|---------|---------|---------|-----------|-----|
| To | Over To | To | To | Over To | Over To | Over To | 0.1/10 | ∠ |
| 6 | 10 | 24 | 30 | 60 | 100 | 150 | | |
| ±0.15 | ±0.20 | ±0.30 | ±0.30 | ±0.50 | ±0.70 | ±1.00 | ±1.30 | ±2' |

6.RoHS Compliance



| | | | | | |
|----------------|-----------|---|--|----------------------|-----|
| DETACHED LISTS | PART NO.: | / | | | |
| | APPD: | / | | | |
| | CHKD: | / | | | |
| | DRFT: | / | | | |
| | | 宁波高松电子有限公司 NINGBO DEGSON ELECTRICAL CO., LTD | | | |
| | | NAME: 8EDGK-5.0/5.08-XXP-1Y-00A(H) | | | |
| | | TITLE: CUSTOMER DRAWING | | REV | DO |
| | | DRAWING NO.: | | SHEET | 1/1 |
| | | THIRD ANGLE PROJECTION | | SCALE | 1:1 |
| | | MM (INCH) | | DO NOT SCALE DRAWING | |