

HEDS-9000/9100

Two Channel Optical Incremental Encoder Modules

Data Sheet



Description

The HEDS-9000 and the HEDS-9100 series are high performance, low cost, optical incremental encoder modules. When used with a codewheel, these modules detect rotary position. The modules consist of a lensed (LED) source and a detector IC enclosed in a small C-shaped plastic package. Due to a highly collimated light source and unique photodetector array, these modules are extremely tolerant to mounting misalignment.

The two channel digital outputs and the single 5 V supply input are accessed through five 0.025 inch square pins located on 0.1 inch centers.

Standard resolutions for the HEDS-9000 are 500 CPR and 1000 CPR for use with a HEDS-6100 codewheel or equivalent.

For the HEDS-9100, standard resolutions between 96 CPR and 512 CPR are available for use with a HEDS-5120 codewheel or equivalent.

Features

- High performance
- High resolution
- Low cost
- Easy to mount
- No signal adjustment required
- Small size
- -40°C to 100 °C operating temperature
- Two channel quadrature output
- TTL compatible
- Single 5 V supply

Applications

The HEDS-9000 and 9100 provide sophisticated motion detection at a low cost, making them ideal for high volume applications. Typical applications include printers, plotters, tape drives, and factory automation equipment.

Note: Avago Technologies encoders are not recommended for use in safety critical applications. Eg. ABS braking systems, power steering, life support systems and critical care medical equipment. Please contact sales representative if more clarification is needed.

Theory of Operation

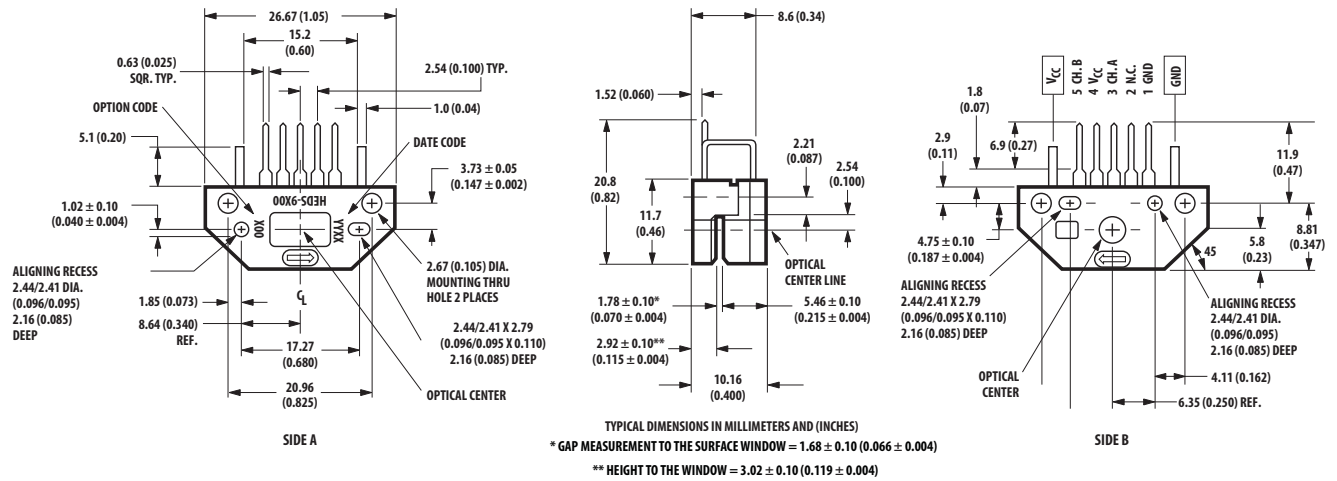
The HEDS-9000 and 9100 are C-shaped emitter/detector modules. Coupled with a codewheel, they translate the rotary motion of a shaft into a two-channel digital output.

As seen in the block diagram, each module contains a single Light Emitting Diode (LED) as its light source. The light is collimated into a parallel beam by means of a single polycarbonate lens located directly over the LED. Opposite the emitter is the integrated detector circuit. This IC consists of multiple sets of photodetectors and the signal processing circuitry necessary to produce the digital waveforms.

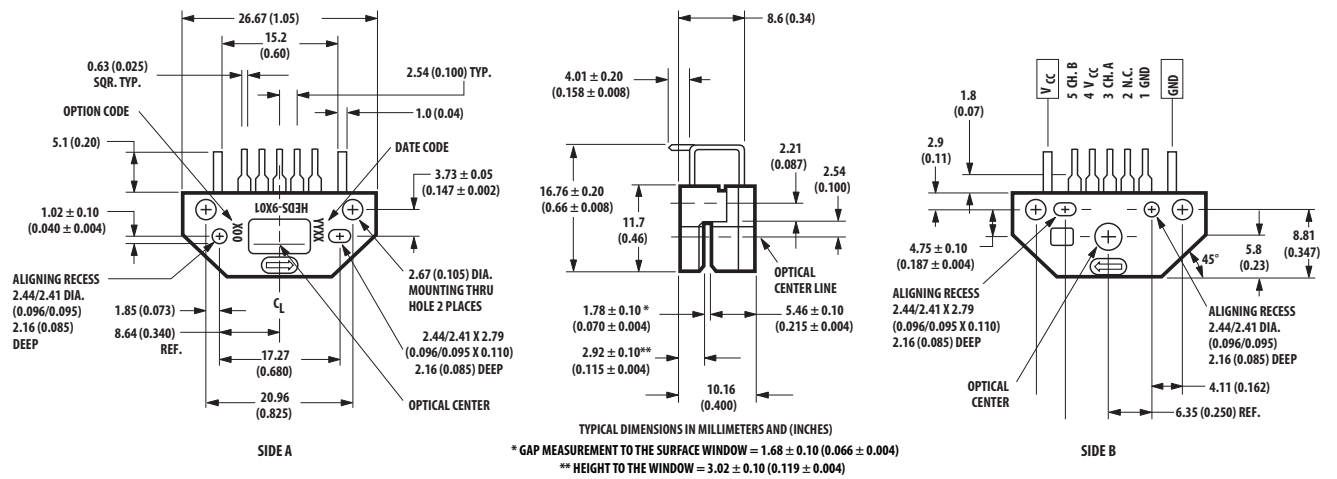
The codewheel rotates between the emitter and detector, causing the light beam to be interrupted by the pattern of spaces and bars on the codewheel. The photodiodes which detect these interruptions are arranged in a pattern that corresponds to the radius and design of the codewheel. These detectors are also spaced such that a light period on one pair of detectors corresponds to a dark period on the adjacent pair of detectors. The photodiode outputs are then fed through the signal processing circuitry resulting in A, \bar{A} , B, and \bar{B} . Two comparators receive these signals and produce the final outputs for channels A and B. Due to this integrated phasing technique, the digital output of channel A is in quadrature with that of channel B (90 degrees out of phase).

Package Dimensions

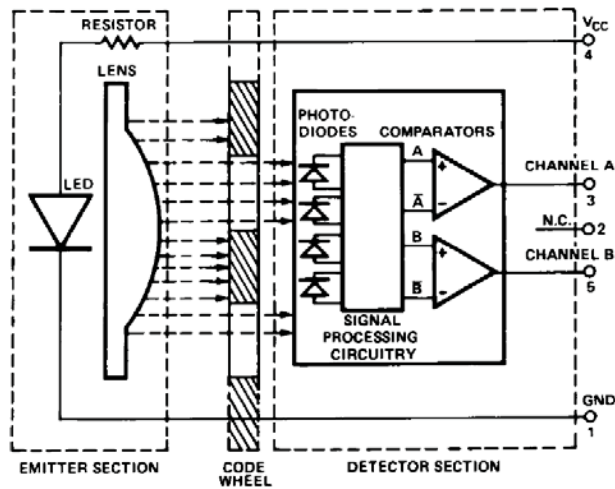
HEDS-9x00



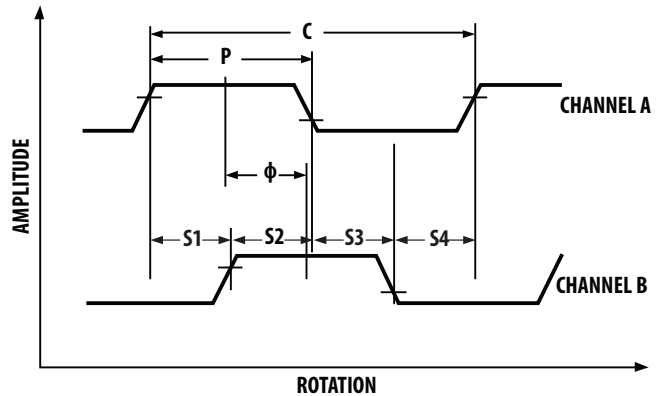
HEDS-9x01



Block Diagram



Output Waveforms



Definitions

Count (N): The number of bar and window pairs or counts per revolution (CPR) of the codewheel.

1 Shaft Rotation = 360 mechanical degrees,
= N cycles.

1 cycle (C) = 360 electrical degrees ($^{\circ}e$),
= 1 bar and window pair.

Pulse Width (P): The number of electrical degrees that an output is high during 1 cycle. This value is nominally $180^{\circ}e$ or $1/2$ cycle.

Pulse Width Error (ΔP): The deviation, in electrical degrees of the pulse width from its ideal value of $180^{\circ}e$.

State Width (S): The number of electrical degrees between a transition in the output of channel A and the neighboring transition in the output of channel B. There are 4 states per cycle, each nominally $90^{\circ}e$.

State Width Error (ΔS): The deviation, in electrical degrees, of each state width from its ideal value of $90^{\circ}e$.

Phase (ϕ): The number of electrical degrees between the center of the high state of channel A and the center of the high state of channel B. This value is nominally $90^{\circ}e$ for quadrature output.

Phase Error ($\Delta\phi$): The deviation of the phase from its ideal value of $90^{\circ}e$.

Direction of Rotation: When the codewheel rotates in the direction of the arrow on top of the module, channel A will lead channel B. If the codewheel rotates in the opposite direction, channel B will lead channel A.

Optical Radius (R_{op}): The distance from the codewheel's center of rotation to the optical center (O.C.) of the encoder module.

Absolute Maximum Ratings

| | |
|---------------------------------------|--------------------|
| Storage Temperature, T_s | -40°C to 100°C |
| Operating Temperature, T_A | -40°C to 100°C |
| Supply Voltage, V_{CC} | -0.5 V to 7 V |
| Output Voltage, V_O | -0.5 V to V_{CC} |
| Output Current per Channel, I_{out} | -1.0 mA to 5 mA |

Recommended Operating Conditions

| Parameter | Symbol | Min. | Typ. | Max. | Units | Notes |
|------------------|----------|------|------|------|-------|---|
| Temperature | T | -40 | | 100 | °C | |
| Supply Voltage | V_{CC} | 4.5 | | 5.5 | Volts | Ripple < 100 mV _{p-p} |
| Load Capacitance | C_L | | | 100 | pF | 3.3 kΩ pull-up resistor |
| Count Frequency | f | | | 100 | kHz | $\frac{\text{Velocity (rpm)} \times N}{60}$ |

Note: The module performance is guaranteed to 100 kHz but can operate at higher frequencies.

Encoding Characteristics

Encoding Characteristics over Recommended Operating Range and Recommended Mounting Tolerances. These Characteristics do not include codewheel/codestrip contribution.

| Description | Sym. | Typ. | Case 1 Max. | Case 2 Max. | Units | Notes |
|-------------------------|---------------|------|-------------|-------------|-------|-------|
| Pulse Width Error | ΔP | 30 | 40 | | °e | |
| Logic State Width Error | ΔS | 30 | 40 | | °e | |
| Phase Error | $\Delta \phi$ | 2 | 10 | 105 | °e | |

Case 1: Module mounted on tolerance circle of ± 0.13 mm (± 0.005 in.).

Case 2: HEDS-9000 mounted on tolerances of ± 0.50 mm (0.020").
HEDS-9100 mounted on tolerances of ± 0.38 mm (0.015").

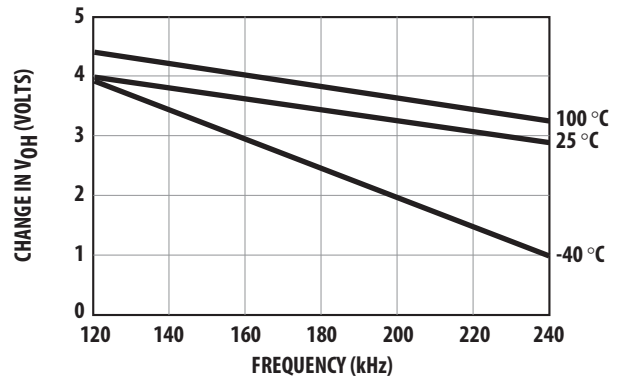
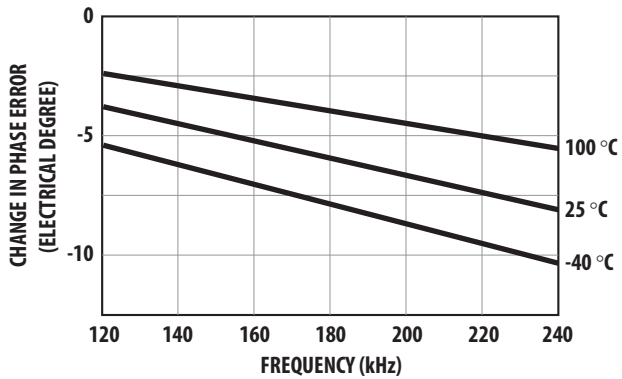
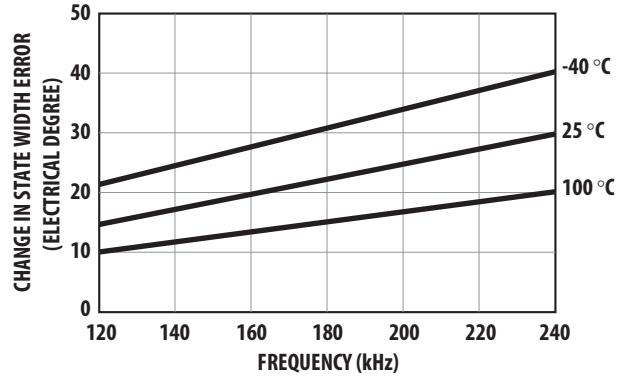
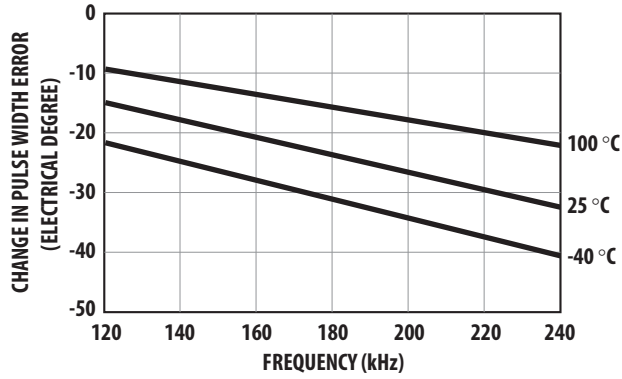
Electrical Characteristics

Electrical Characteristics over Recommended Operating Range, typical at 25°C.

| Parameter | Symbol | Min. | Typical | Max. | Units | Notes |
|---------------------------|----------|------|---------|------|-------|--|
| Supply Current | I_{CC} | | 17 | 40 | mA | HEDS-9100 All Series, HEDS-9000 #A00, B00, and J00 |
| Supply Current | I_{CC} | | 51 | 85 | mA | HEDS-9000 #T00 and U00 |
| High Level Output Voltage | V_{OH} | 2.4 | | | Volts | $I_{OH} = -40 \mu A$ max. |
| Low Level Output Voltage | V_{OL} | | | 0.4 | Volts | $I_{OL} = 3.2$ mA |
| Rise Time | t_r | | 200 | | ns | $C_L = 25$ pF |
| Fall Time | t_f | | 50 | | ns | $R_L = 11$ kΩ pull-up |

Derating Curves over Extended Operating Frequencies (HEDS-9000/9100)

Below are the derating curves for state, duty, phase and V_{OH} over extended operating frequencies of up to 240 kHz (recommended maximum frequency is 100 kHz). The curves were derived using standard TTL load. -40°C operation is not feasible above 160 kHz because V_{OH} will drop below 2.4 V (the minimum TTL for logic state high) beyond that frequency.



Recommended Codewheel Characteristics

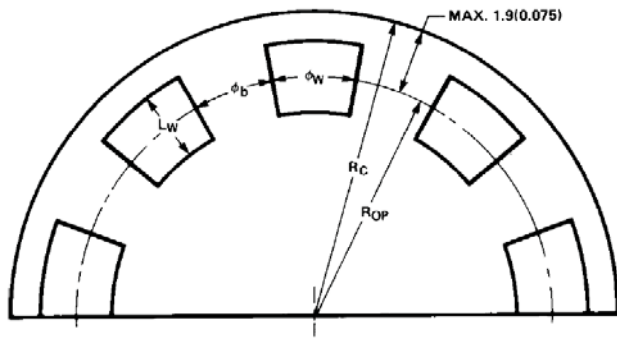


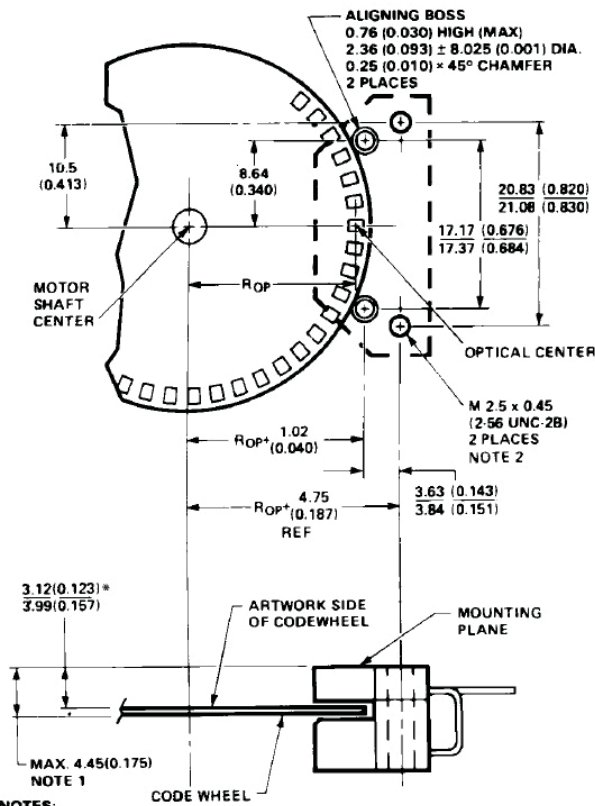
Figure 1. Codestrip Design

Codewheel Options

| HEDS Series | CPR (N) | Option | Optical Radius mm (in.) |
|-------------|---------|--------|-------------------------|
| 5120 | 96 | K | 11.00 (0.433) |
| 5120 | 100 | C | 11.00 (0.433) |
| 5120 | 192 | D | 11.00 (0.433) |
| 5120 | 200 | E | 11.00 (0.433) |
| 5120 | 256 | F | 11.00 (0.433) |
| 5120 | 360 | G | 11.00 (0.433) |
| 5120 | 400 | H | 11.00 (0.433) |
| 5120 | 500 | A | 11.00 (0.433) |
| 5120 | 512 | I | 11.00 (0.433) |
| 6100 | 500 | A | 23.36 (0.920) |
| 6100 | 1000 | B | 23.36 (0.920) |

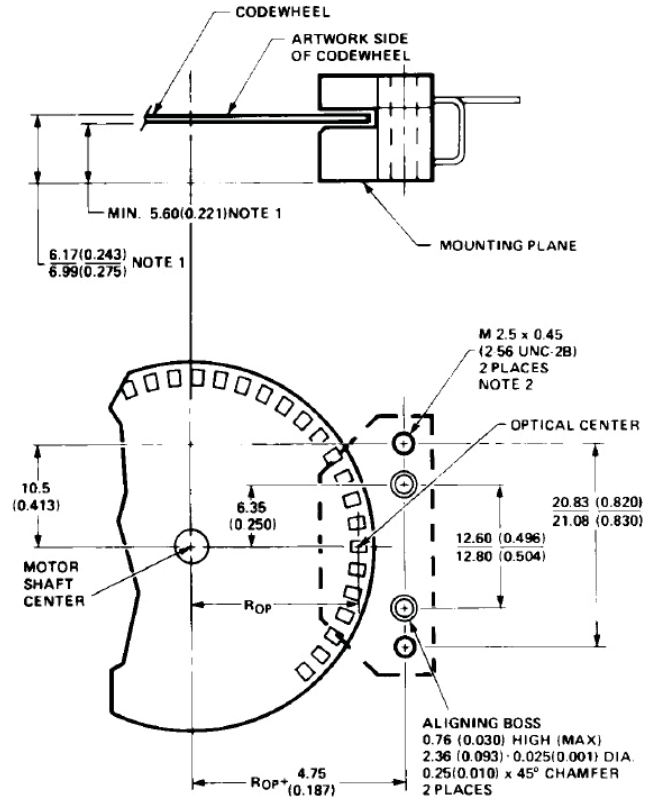
| Parameter | Symbol | Minimum | Maximum | Units | Notes |
|-----------------------------------|-----------------|-------------|-------------------------|-----------|------------------------------|
| Window/Bar Ratio | ϕ_W/ϕ_b | 0.7 | 1.4 | | |
| Window Length | L_W | 1.8 (0.071) | 2.3 (0.09) | mm (inch) | |
| Absolute Maximum Codewheel Radius | R_C | | $R_{OP} + 1.9 (0.0075)$ | mm (inch) | Includes eccentricity errors |

Mounting Considerations



- NOTES:**
1. THESE DIMENSIONS INCLUDE SHAFT END PLAY, AND CODEWHEEL WARP.
 2. MAXIMUM RECOMMENDED MOUNTING SCREW TORQUE IS 4 kg-cm (3.5 in-lbs).
 3. * FOR WINDOW OPTION MEASUREMENT = 3.22 (0.127)

Figure 2. Mounting Plane Side A.



- NOTES:**
1. THESE DIMENSIONS INCLUDE SHAFT END PLAY, AND CODEWHEEL WARP.
 2. MAXIMUM RECOMMENDED MOUNTING SCREW TORQUE IS 4 kg-cm (3.5 in-lbs).

Figure 3. Mounting Plane Side B.

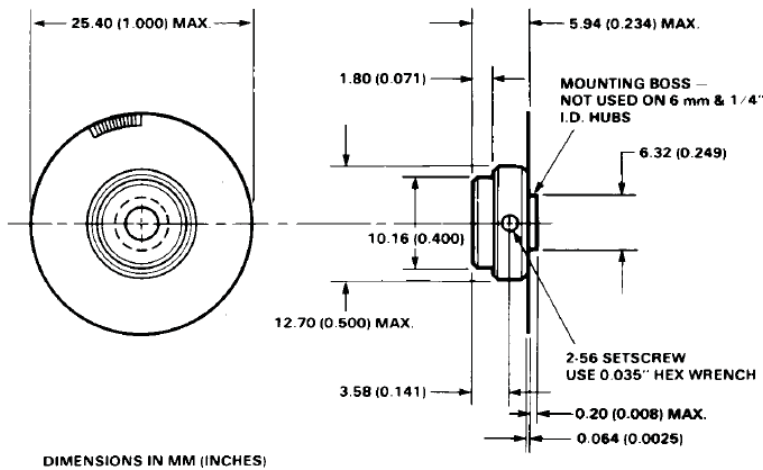


Figure 4. Mounting as Referenced to Side A.

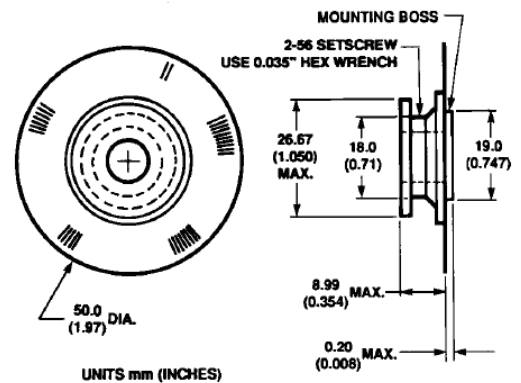


Figure 5. Mounting as Referenced to Side B.

Connectors

| Mounting Manufacturer | Part Number | Surface |
|-----------------------|---------------------------------------|------------------------|
| AMP | 1203686-4 640442-5 | Both Side B |
| DuPont | 65039-032 with 4825X-000 term. | Both |
| HP | HEDS-8902 with 4-wire leads | Side B (see Fig. 6) |
| Molex | 2695 series with 2759 series term. | Side B |

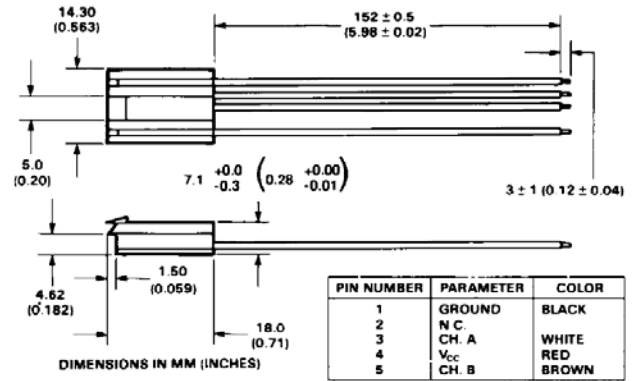
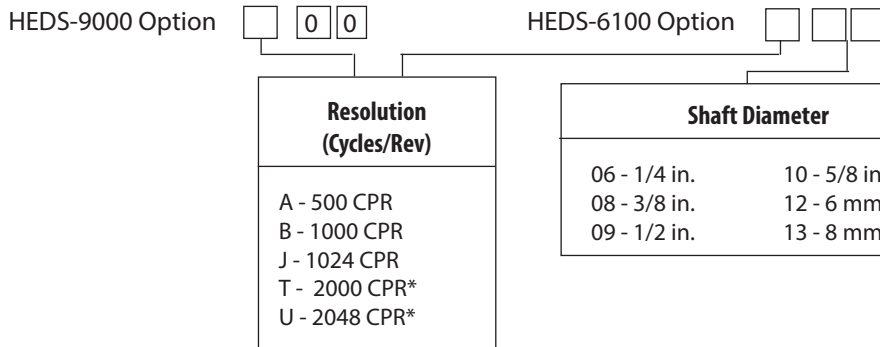


Figure 6. HEDS-8902 Connector.

Ordering Information



| | A | B | C | D | E | F | G | H | I | J | K | L | S | T | U |
|-----------|---|---|---|---|---|---|---|---|---|---|---|---|---|---|---|
| HEDS-9000 | * | * | | | | | | | | * | | | | * | * |

| | 01 | 02 | 03 | 04 | 05 | 06 | 08 | 09 | 10 | 11 | 12 | 13 | 14 |
|-----------|----|----|----|----|----|----|----|----|----|----|----|----|----|
| HEDS-6100 | A | | | | | | | | * | | | * | * |
| | B | | | | | | * | * | * | * | | | |

HEDS-910 0 Option

| Lead |
|--------------------|
| 0 - Straight Leads |
| 1 - Bent Leads |

0 0

HEDS-5120 Option

| Resolution (Cycles/Rev) | |
|----------------------------|---------------|
| S - 50 CPR | H - 400 CPR |
| K - 96 CPR | A - 500 CPR |
| C - 100 CPR | I - 512 CPR |
| E - 200 CPR | B - 1000 CPR* |
| F - 256 CPR | J - 1024 CPR* |
| G - 360 CPR | |

| Shaft Diameter | |
|----------------|-----------|
| 01 - 2 mm | 11 - 4 mm |
| 02 - 3 mm | 14 - 5 mm |
| 03 - 1/8 in. | 12 - 6 mm |
| 04 - 5/32 in. | 13 - 8 mm |
| 05 - 3/16 in. | |
| 06 - 1/4 in. | |

| | A | B | C | D | E | F | G | H | I | J | K | S | T | U |
|-----------|---|---|---|---|---|---|---|---|---|---|---|---|---|---|
| HEDS-9100 | * | * | * | | * | * | * | * | * | * | * | * | | |
| HEDS-9101 | * | | * | | * | | * | | | | | | | |

| | | 01 | 02 | 03 | 04 | 05 | 06 | 08 | 09 | 10 | 11 | 12 | 13 | 14 |
|-----------|---|----|----|----|----|----|----|----|----|----|----|----|----|----|
| HEDS-5120 | A | * | * | * | * | * | * | | | | * | * | | * |
| | C | | * | | | | * | | | | * | * | * | * |
| | D | | | | | * | | | | | | | | |
| | E | | | | | | * | | | | | * | | |
| | F | | | | | * | | | | | | | | |
| | G | | * | * | | * | * | | | | * | | | * |
| | H | | * | | | | * | | | | * | * | | * |
| | I | | * | | * | | * | | | | * | * | * | |
| K | | * | | | | | | | | | | * | | |

For product information and a complete list of distributors, please go to our website: www.avagotech.com

Avago Technologies and the A logo are trademarks of Avago Technologies in the United States and other countries. Data subject to change. Copyright © 2013-2016 Avago Technologies. All rights reserved. Obsoletes 5988-6712EN. AV02-1867EN - August 1, 2016