

## Data sheet

Commercial Art.No.: 25.339.4053.0

PCB pin header 8113 S / 10 WF OB

PCB pin header, connection method depends on used socket part , 10 poles, pitch: 5 mm, type of packing: carton, color: grey



Commercial Art.No.	25.339.4053.0
EAN	4015573317536
Order Unit	50

Certificates / Approvals



## Technical data

### General

Modular spacing	5 mm
Soldering process	Wave soldering
Packaging	Carton
Number of poles	10
Number of levels	1
Marking	No
Fastening	Flange
Mating direction towards (circuit) board	180°

### Technical data

Rated current	12 A
Overvoltage Category I	1000 V
Overvoltage Category II	400 V
Overvoltage Category III	250 V
Rated impulse voltage	4 kV

### Technical Data UL/CSA

Voltage UL	300 V
Current field wiring	15 A
Current factory wiring	15 A
Voltage CSA	300 V
Current CSA	15 A

### Other

Type of insulation material	Thermoplastic
Color	Grey
Height	8.4 mm
Length	60 mm

Depth	12 mm
Material contact base	CuZn
Material contact surface	Sn

#### Classification

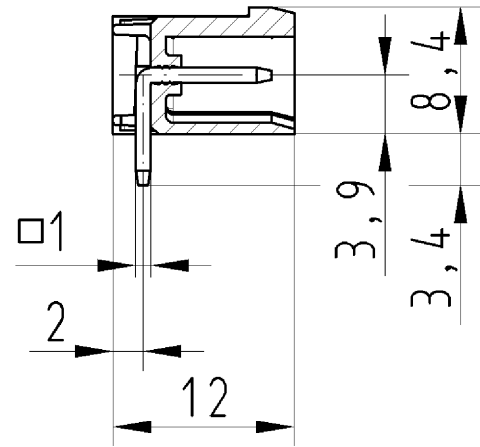
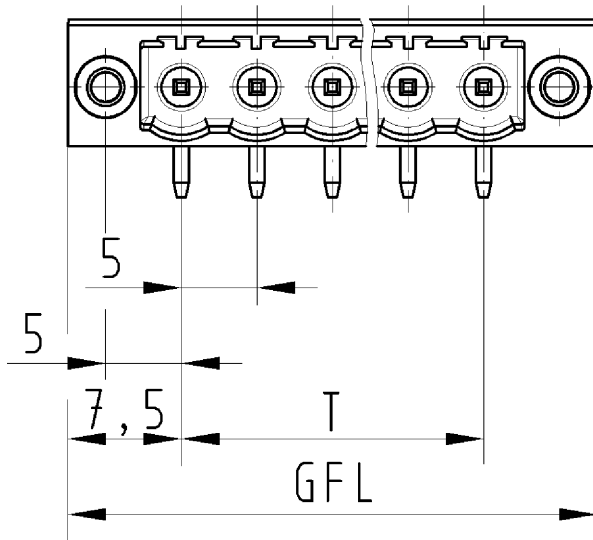
ECLASS 11	
ECLASS 8.1	27440402
ETIM 7.0	EC002637
ETIM 6.0	EC002637
ETIM 5.0	EC002637
ETIM 4.0	EC002637

#### Product compliance

ROHS conformity status	Compliant/Exempted
ROHS exceptions	III-6(c)
REACH-SVHC conformity status	Duty-To-Declare
REACH-SVHC substances	Lead
REACH-SVHC CAS numbers	7439-92-1

#### Fits with

Commercial Art.No.:	Article-type description:	Description:
25.322.4053.0	PCB connector 8113 B / 10 F OB	PCB female connector with screw connection with rising cage clamp system, 10 poles, max. cross section: 2.5 mm <sup>2</sup> , pitch: 5 mm, type of packing: carton, color: grey
25.322.1053.0	PCB connector 8113 B / 10 F	PCB female connector with screw connection with rising cage clamp system, 10 poles, printed version, max. cross section: 2.5 mm <sup>2</sup> , pitch: 5 mm, type of packing: carton, color: grey
25.821.4053.0	PCB connector 8113 BFK /10 TOP K F OB	PCB female connector with tension spring connection, 10 poles, max. cross section: 2.5 mm <sup>2</sup> , pitch: 5 mm, type of packing: carton, color: grey
25.821.1053.0	PCB connector 8113 BFK / 10 TOP K F	PCB female connector with tension spring connection, 10 poles, printed version, max. cross section: 2.5 mm <sup>2</sup> , pitch: 5 mm, type of packing: carton, color: grey



für folgende Tabellen-Zchnng.:  
25.339.3253.0 8113 S/...WF

LP-STIFTLEISTE  
25.339.3253.0 10W  
08.11.2007 SCJ  
M 2:1