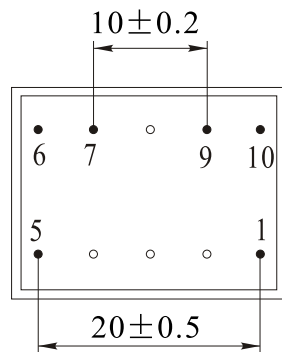
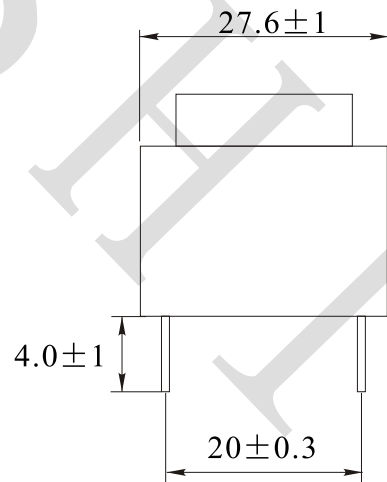
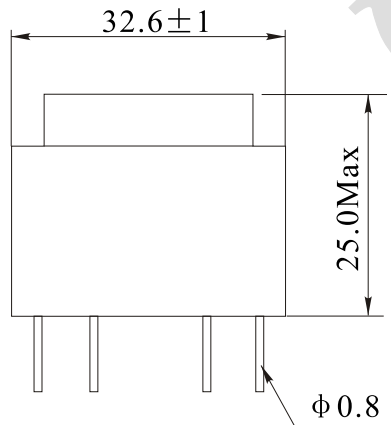
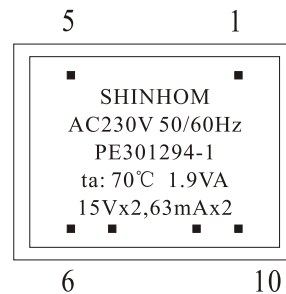


1. PHYSICAL CHARACTERISTICS (mm)



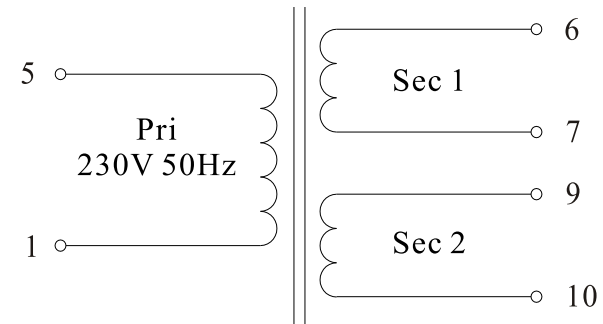
MARKING



NOTES:

Temp 20°C 48%RH
RoHS Compliant

2. ELECTRONICAL SCHEMATIC



3. ELECTRONICAL SPECIFICATIONS

Pri voltage: 230V, 50Hz
 Load voltage: Sec1: 15V ± 5%V @ 63mA
 Sec2: 15V ± 5%V @ 63mA
 No-load voltage: Sec1: 24V Ref
 Sec2: 24V Ref
 Output Power: 1.9VA
 Hi-Pot: 4000V, 50Hz, 1mA, 10S Pri to Sec

Note:

- Solderability: leads shall meet MIL-STD-202, Method 208D for solderability.
- Flammability: UL94V-0
- ASTM oxygen index: >28%

NAME:	Potting transformer		
CUSTOMER P/N:	BV EI 303 2038	DATE:	2023-03-29
SHINHOM P/N:	PE301294-1	REV:	A0 PAGE
DRAWN BY	CHECKED BY	APPROVE BY	



SHINHOM
SHAANXISHINHOM ENTERPRISE CO LTD

The Document property belong to SHINHOM & is not allowed to be duplicated without authorization