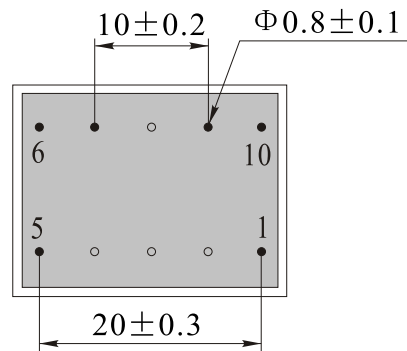
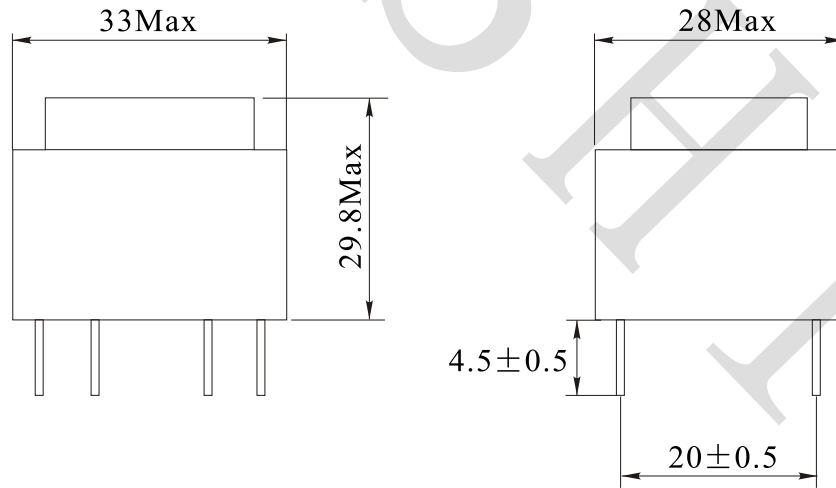


Rev.	Description	Date
A0	New release	2022.01.24

1. PHYSICAL CHARACTERISTICS (mm)



MARKING

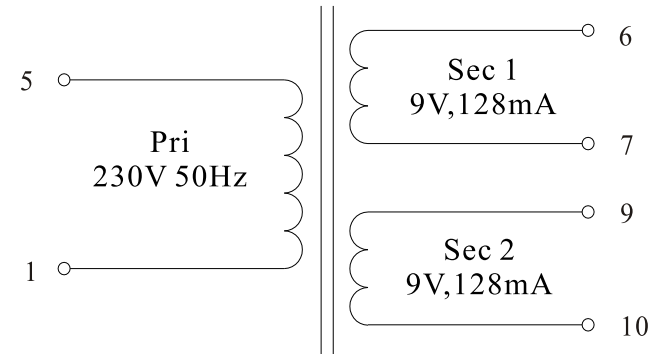
SHINHOM
 AC230V 50/60Hz
 PE301864
 ta: 70°C 2.3VA
 2x9V

NOTES:

Temp 20°C 48%RH
 RoHS Compliant

The Document property belong
 to SHINHOM & is not allowed to be
 duplicated without authorization

2. ELECTRONICAL SCHEMATIC



3. ELECTRONICAL SPECIFICATIONS

Input voltage: 230V
 Output voltage: 2x9V
 Output current: 128mA@230V,50Hz
 Noload voltage: 2x15.7V
 Hi-Pot: 3600V,50Hz,10mA,2S
 Storage temperature: -20°C to +80°C
 Operating temperature: -10°C to +70°C

NAME:	Potting transformer		
CUSTOMER P/N:		DATE:	2022-01-24
SHINHOM P/N:	PE301864	REV: A0	PAGE
DRAWN BY	CHECKED BY	APPROVE BY	



SHINHOM
 SHAANXISHINHOM ENTERPRISE CO LTD