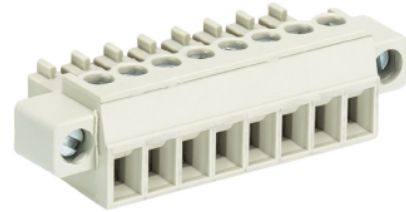


Data sheet

Commercial Art.No.: 25.621.3653.0

PCB connector 8813 B / 6 F OB

PCB female connector with screw connection with rising cage clamp system, 6 poles, max. cross section: 1.5 mm², pitch: 3.81 mm, type of packing: carton, color: grey



Commercial Art.No.	25.621.3653.0
EAN	4015573351196
Order Unit	50

Certificates / Approvals



Technical data

General

Modular spacing	3.81 mm
Connection type	screw connection
Soldering process	None
Packaging	Carton
Number of poles	6
Marking	No
Fastening	None
Mating direction towards connector	180°

Technical data

Nominal cross section	1.5 mm ²
Rated current	8 A
Overvoltage Category I	690 V
Overvoltage Category II	250 V
Overvoltage Category III	125
Rated impulse voltage	2.5 kV
Wire strip length	6.5 mm

Connection Data

Minimum cross section solid	0.14 mm ²
Maximum cross section solid	1.5 mm ²
Minimum cross section fine stranded	0.14 mm ²
Maximum cross section fine stranded	1.5 mm ²
Wire strip length	6.5 mm

Technical Data UL/CSA

Cross section UL	30-16 AWG
Voltage UL	300 V

Current field wiring	8 A
Current factory wiring	8 A
Cross section CSA	22-14 AWG
Voltage CSA	300 V
Current CSA	5 A

Other

Type of insulation material	Thermoplastic
Color	Grey
Height	11.1 mm
Length	33.25 mm
Depth	15.5 mm
Material attachment screw	Steel
Material contact base	CuSn
Material contact surface	Sn

Classification

ECLASS 11	
ECLASS 8.1	27440402
ETIM 7.0	EC002637
ETIM 6.0	EC002637
ETIM 5.0	EC002637
ETIM 4.0	EC002637

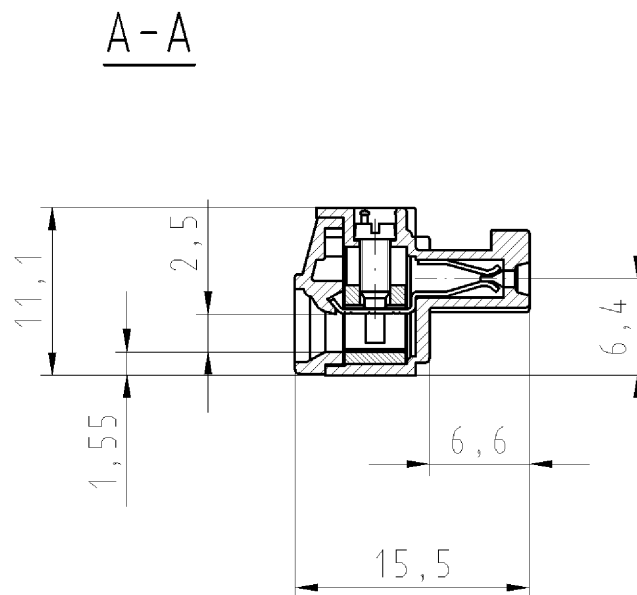
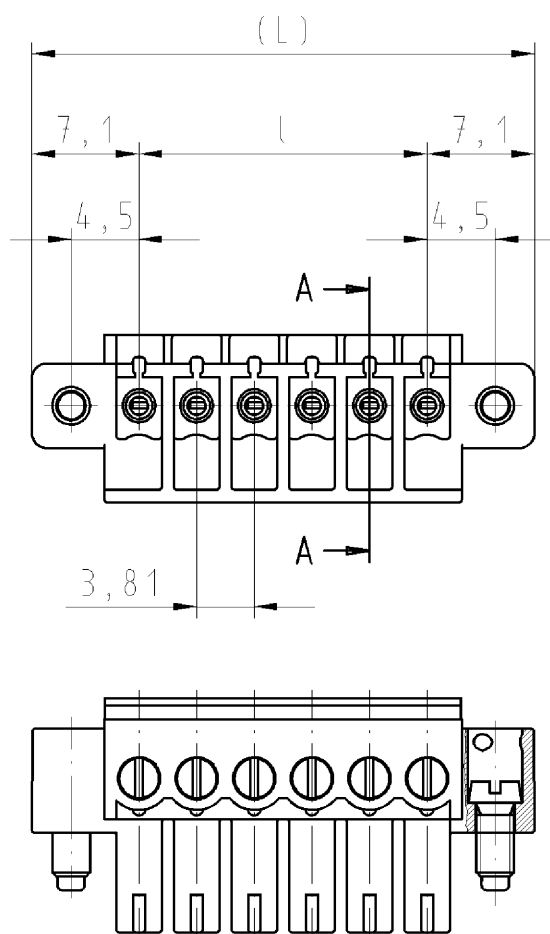
Product compliance

ROHS conformity status	Compliant/Exempted
ROHS exceptions	III-6(c)
REACH-SVHC conformity status	Duty-To-Declare
REACH-SVHC substances	Lead
REACH-SVHC CAS numbers	7439-92-1

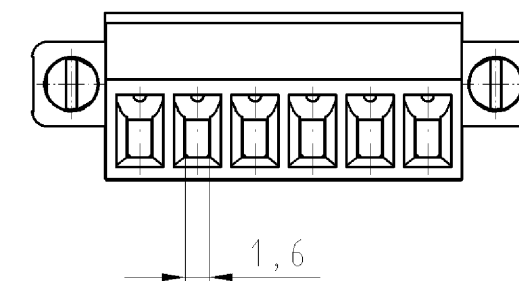
Fits with

Commercial Art.No.:	Article-type description:	Description:
25.627.3653.0	PCB pin header 8813 S / 6 WF OB	PCB pin header with pin header, connection method depends on used socket part , 6 poles, pitch: 3.81 mm, type of packing: carton, color: grey
25.626.3653.0	PCB pin header 8813 S / 6 GF OB	PCB pin header with pin header, connection method depends on used socket part , 6 poles, pitch: 3.81 mm, type of packing: carton, color: grey

6-polige Ausführung gezeichnet
6 pole version drawn



"X"



Artikel-Nr. part-no.	Pol- zahl/ pole	L	l	Typ type
25.621.3253.F	2	18.01	3.81	8813 B / 2 F OB
25.621.3353.F	3	21.82	7.62	8813 B / 3 F OB
25.621.3453.F	4	25.63	11.43	8813 B / 4 F OB
25.621.3553.F	5	29.44	15.24	8813 B / 5 F OB
25.621.3653.F	6	33.25	19.05	8813 B / 6 F OB
25.621.3753.F	7	37.06	22.86	8813 B / 7 F OB
25.621.3853.F	8	40.87	26.67	8813 B / 8 F OB
25.621.3953.F	9	44.68	30.48	8813 B / 9 F OB
25.621.4053.F	10	48.49	34.29	8813 B / 10 F OB
25.621.4153.F	11	52.30	38.10	8813 B / 11 F OB
25.621.4253.F	12	56.11	41.91	8813 B / 12 F OB
25.621.4353.F	13	59.92	45.72	8813 B / 13 F OB
25.621.4453.F	14	63.73	49.53	8813 B / 14 F OB
25.621.4553.F	15	67.54	53.34	8813 B / 15 F OB
25.621.4653.F	16	71.35	57.15	8813 B / 16 F OB
25.621.4753.F	17	75.16	60.96	8813 B / 17 F OB
25.621.4853.F	18	78.97	64.77	8813 B / 18 F OB
25.621.4953.F	19	82.78	68.58	8813 B / 19 F OB
25.621.5053.F	20	86.59	72.39	8813 B / 20 F OB

.F	Farbe/colour
.0	grau/grey
.1	schwarz/black
.7	grün/green

Weitere Daten siehe Katalog
further data see catalog

Tolerierung nach DIN 7167/Tolerance system acc. to DIN 7167. (This DIN-standard describes the envelope principle. According to the envelope principle the deviations of form and parallelism are limited by the size tolerances).		ja/yes <input checked="" type="checkbox"/> Stoffverbots- und Deklarationsliste nach UU-TQM-05/03 ist einzuhalten. Conformity with Wieland document UU-TQM-05/03 (list of prohibited / declarable hazardous substances) to be declared!	
Freitoleranz nach General tolerance		CAD - Zeichnung, keine manuellen Änderungen CAD - drawing, no manual modifications allowed	
1. Verwendung: First Use:		Blatt: 1 von 1 Sheet: of 1	
Werkstoff/Material		Zeichnung Nr./Drawing No.	
2008 gezeichnet drawn		Tag/Date	
Name		T 25.621.3253.0 01K	
Maßstab/Scale		Index	
2:1			
geprüft checked			
Nichtgepr. Stand. check			
Vol. mm ³ Ofl./Surf. mm ²		Ersatz für/Replacement for: -	
Type		Benennung/Title	
wieland		LP_STECKKLEMME	
Elektrische Verbindungen		mit Steck-u. Schraubanschluß, Rastermaß/pitch 3,81 Pluggable PCB terminal, rising cage clamp system	
Index Date / Blatt Date / Sheet			
Änderung/Revision			

Weitergabe sowie Vervielfältigung dieses Dokuments, Verwertung und Mitteilung seines Inhalts sind verboten, soweit nicht ausdrücklich gestattet.
The reproduction, distribution and utilization of this document as well as the communication of its contents to others without express authorization is prohibited.

256213253001K_4_CADW1044_Schmitt 2008-07-21T11:01:01 1.000