

Material:

- 1.Body: PPS UL 94V-0 Rated, Color:Black;
- 2.Cover: LCP UL 94V-0 Rated, Color:Black;
- 3.Contact: Phosphor Bronze;
- 4.Contact Plating: Gold Plating Over Nickel on Contact Area, Tin Plating on Solder Tail.

Specification:

- 1.Current Rating: 0.5 AMP. Max.;
- 2.Dielectric Withstanding Voltage: 500V AC R.M.S For One Minute;
- 3.Insulation Resistance: 1000 M Ω Min. AT 500V AC;
- 4.Contact Resistance: 30 m Ω Max.;
- 5.Operating Temperature: -25°C to +85°C;
- 6.Durability: 5000 Cycles.
- 7.Processing Temp: 240°C for 30~60 Seconds Max

115B-A A A Q-R
1 2 3 4 5

1.Type
A:6 Pin

2.Contact Plating
A:Gold Flash

3.Stand Off
A:0mm

4.Peg
0:w/peg

5.RoHS

| SIM CARD PINOUT | |
|-----------------|---------------------------|
| PIN NO. | DESCRIPTION |
| C1 | VCC |
| C2 | RST CARD RESET (POTIONAL) |
| C3 | CLK CARD CLOCK |
| C4 | AS APPLICATION SPECIFIC |
| C5 | GND GROUND |
| C6 | VPP |
| C7 | I/O IN/OUT |
| C8 | AS APPLICATION SPECIFIC |

| | |
|--------------------------------------|---------------|
| UNLESS OTHERWISE SPECIFIED TOLERANCE | |
| ANG. | $\pm 5^\circ$ |
| 0. | \pm |
| .0 | ± 0.25 |
| .00 | ± 0.20 |

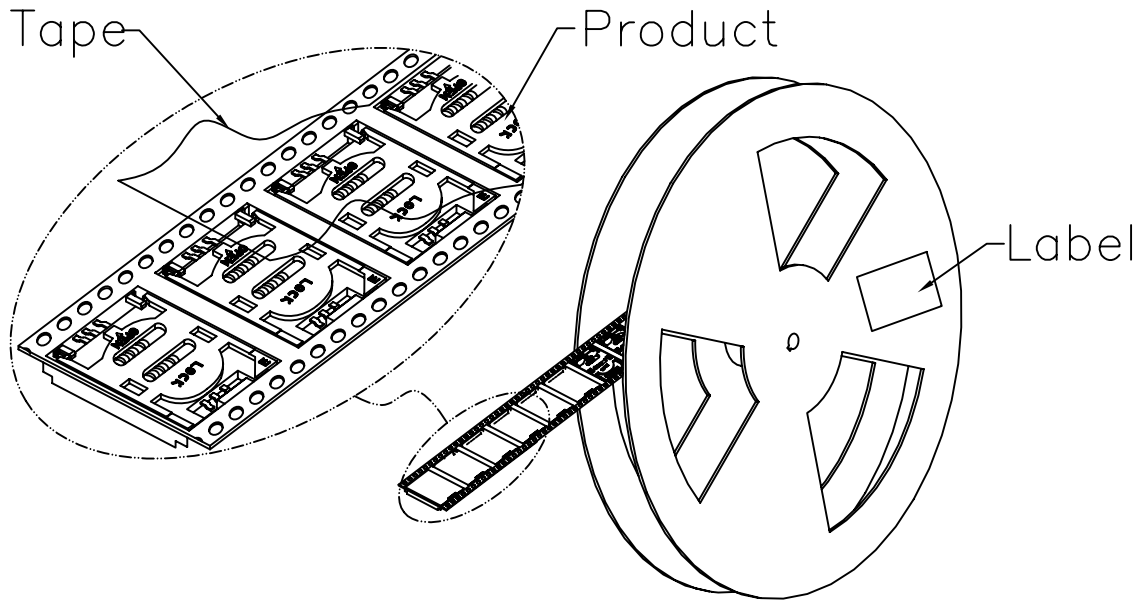
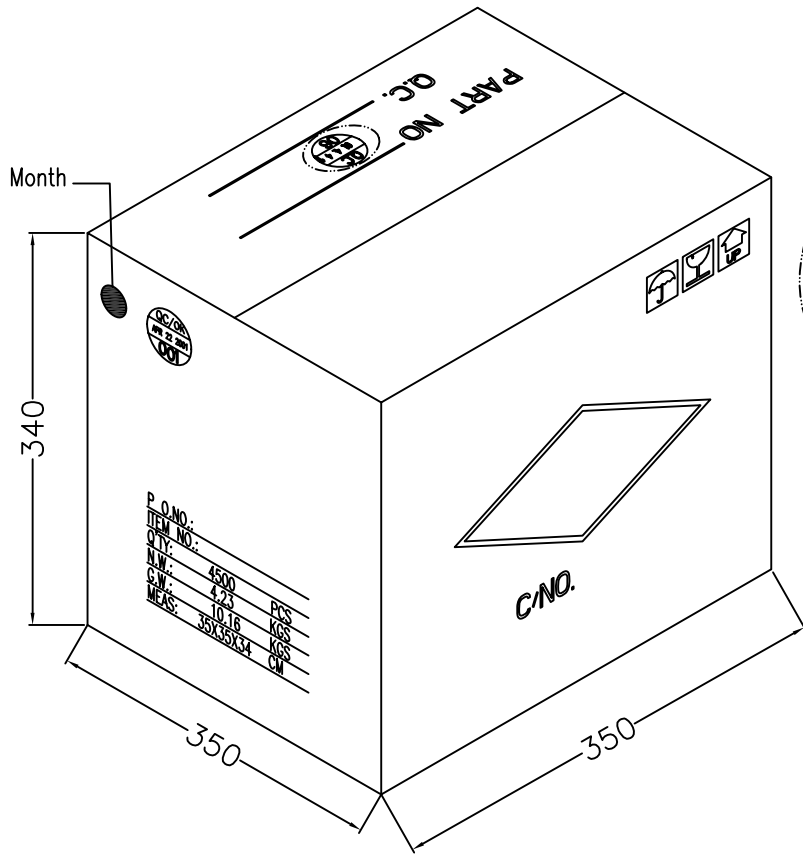
| | |
|-----------------|------------|
| SCALE: AS SHOWN | UNIT: mm |
| DRAWN Willis | 2009/06/19 |
| CHECKED | / / |
| APPROVED | / / |

Attend
ATTEND TECHNOLOGY INC.
www.attend.com.tw

DRAWN NAME: SIM Card Socket Hinge type
PRODUCT NO. 115B-AAA0-R
FILE NAME: 115B-AAA0-R_B_1

| REV. | DESCRIPTION | DATE |
|------|-------------|------|
| 1 | | |
| 2 | | |
| 3 | | |
| 4 | | |
| 5 | | |
| 6 | | |
| 7 | | |


SIZE A4
REV.



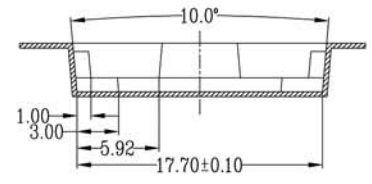
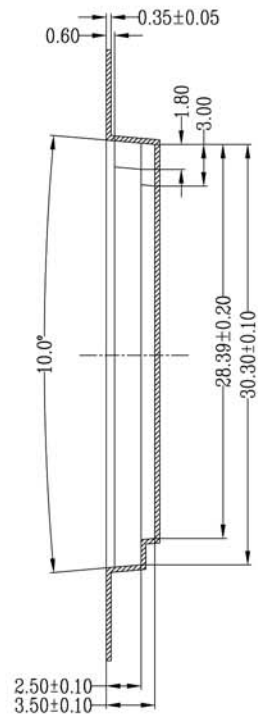
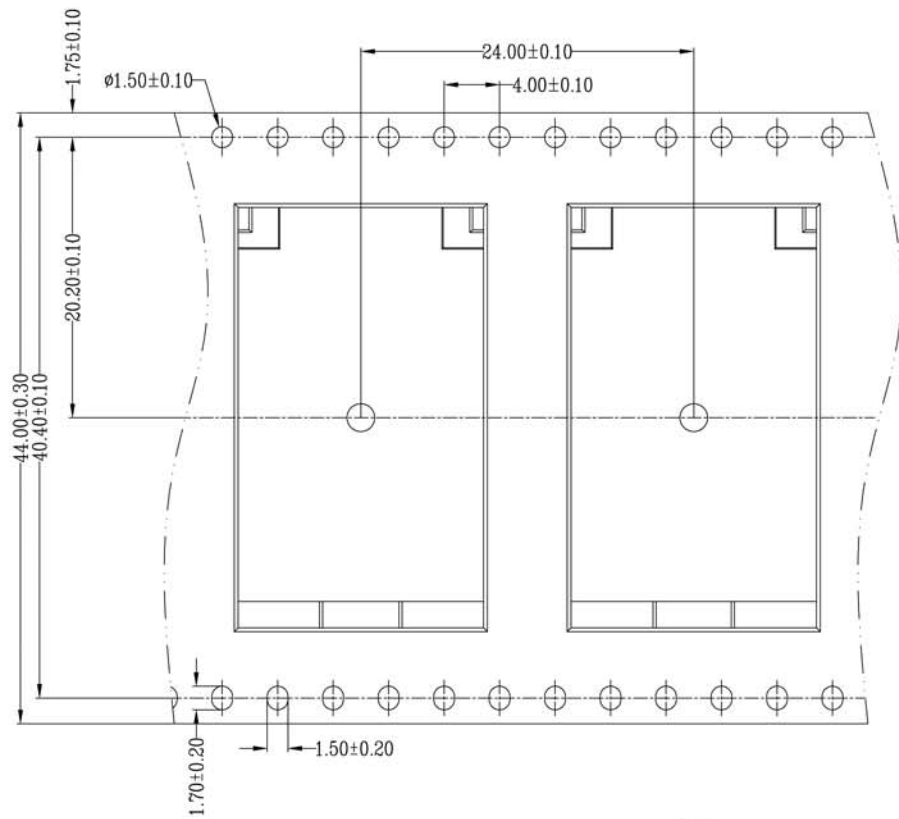
PACKING DETAILS

P/O.NO.:
 ITEM NO.:
 Q'TY: 3900 PCS
 N.W.: 4.23 KGS
 G.W.: 10.16 KGS
 MEAS: 35X35X34 CM

650PCS/Reel, 1Reel/1PE Bag
 6Reel/Tarton
 3900PCS/Tarton.

| | | | | |
|--------------------------------------|-------------|---|---------|------|
| UNLESS OTHERWISE SPECIFIED TOLERANCE | |  ATTEND TECHNOLOGY INC. www.attend.com.tw | | |
| ANG. | ±5° | | | |
| 0. | ± | SCALE: AS SHOWN UNIT: mm DRAWN Willis 2007/3/20 CHECKED / / APPROVED / / DRAWN NAME: SIM Card Socket Packing Drawing PRODUCT NO. 115B-XAAX-R-R FILE NAME: 115B-XAAX-R-R_D_1 | | |
| .0 | ±0.25 | | | |
| .00 | ±0.20 | | | |
| REV. | DESCRIPTION | DATE | SIZE A4 | REV. |

| | | | | | | | | | |
|---|---|---|---|---|---|---|---|---|----|
| 1 | 2 | 3 | 4 | 5 | 6 | 7 | 8 | 9 | 10 |
|---|---|---|---|---|---|---|---|---|----|



NOTE:
 1. Material: PS
 2. Reel: D/330mm

| | |
|--------------------------------------|------------|
| UNLESS OTHERWISE SPECIFIED TOLERANCE | |
| ANG. | ±5° |
| 0. | ±0.3 |
| .0 | ±0.25 |
| .00 | ±0.20 |
| SCALE: | AS SHOWN |
| UNIT: | mm |
| DRAWN | willis |
| CHECKED | / / |
| APPROVED | / / |
| DATE | 2009/06/22 |
| SIZE | A4 |

Attend
 ATTEND TECHNOLOGY INC.
 www.attend.com.tw

DRAWN NAME: SIM Card Socket Packing Drawing
 PRODUCT NO. 115B-AAAX-R-R
 FILE NAME: 115B-AAAX-R-R_D_1

| REV. | DESCRIPTION | DATE |
|------|-------------|------|
| 1 | | |
| 2 | | |
| 3 | | |
| 4 | | |
| 5 | | |
| 6 | | |
| 7 | | |