

L-814PWC WHITE

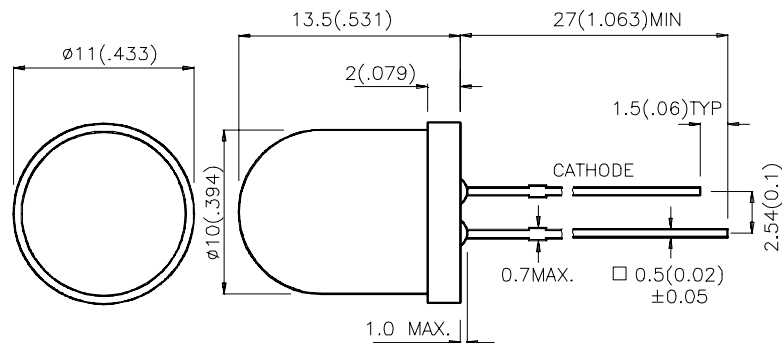
### Features

- ULTRA BRIGHTNESS.
- 10mm DIAMETER BIG LAMP.
- WIDE VIEWING ANGLE.
- I.C. COMPATIBLE.
- BOTH DIFFUSED AND WATER CLEAR LENS ARE AVAILABLE.
- RELIABLE AND RUGGED.
- LONG LIFE - SOLID STATE RELIABILITY.

### Description

The source color devices are made with InGaN on SiC Light Emitting Diode.

### Package Dimensions



#### Notes:

1. All dimensions are in millimeters (inches).
2. Tolerance is  $\pm 0.25(0.01)$  unless otherwise noted.
3. Lead spacing is measured where the lead emerge package.
4. Specifications are subject to change without notice.

## Selection Guide

Part No.	Dice	Lens Type	Iv (mcd) @20mA		Viewing Angle
			Min.	Typ.	2θ1/2
L-814PWC	WHITE ( InGaN)	WATER CLEAR	400	600	40°

Note:

1. θ1/2 is the angle from optical centerline where the luminous intensity is 1/2 the optical centerline value.

## Electrical / Optical Characteristics at T<sub>A</sub>=25°C

Symbol	Parameter	Device	Typ.	Max.	Units	Test Conditions
V <sub>F</sub>	Forward Voltage	White	3.6	4.2	V	IF=20mA
I <sub>R</sub>	Reverse Current	White		10	μA	VR = 5V
X	Chromaticity Coordinates	White	0.33			
Y			0.34			
C	Capacitance	White	65		pF	VF=0V, f =1MHz

## Absolute Maximum Ratings at T<sub>A</sub>=25°C

Parameter	White	Units
Power dissipation	102	mW
Forward Current	30	mA
Forward Current (Peak)	170	mA
Reverse Voltage	5	V
Operating Temperature	-40 °C To + 85 °C	
Storage Temperature	-40 °C To + 85 °C	
Lead Soldering Temperature [2]	260 °C For 5 Seconds	

Notes:

1. 1/10 Duty Cycle, 0.1ms Pulse Width.
2. 4mm below package base.

## White L-814PWC

