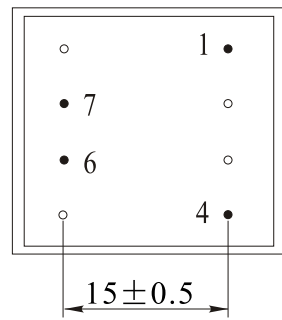
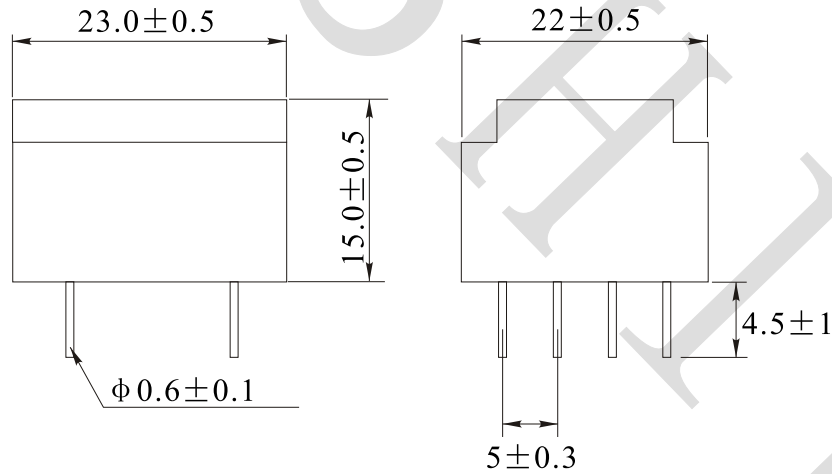


Rev.	Description	Date
A0	New release	2020.05.18

1. PHYSICAL CHARACTERISTICS (mm)

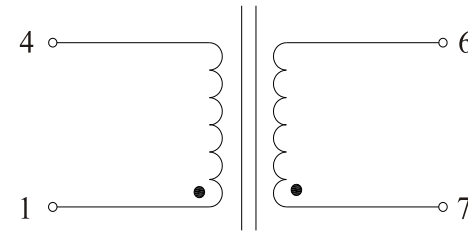


Bottom view

Top marking

1	SHINHOM	7
	AC230V 50/60Hz	
	PE200602	
	ta: 70°C 0.35VA	6
4	9V,39mA	

2. ELECTRONICAL SCHEMATIC



3. ELECTRONICAL SPECIFICATIONS

Pri voltage: 230V,50Hz-60Hz

Sec load voltage: 9.0V±0.5V@39mA

Noload votlage: 14V±0.5V

Output Power: 0.35VA

Hi-Pot: 3500V,50Hz,1mA,10S Pri to Sec

Note:

1.Solderability:leads shall meet MIL-STD-202,

Method 208D for solderability.

2.Flammability: UL94V-0

3.ASTM oxygen index: >28%

NOTES:

Temp 20°C 48%RH

RoHS Compliant

NAME:	Power Transformer		
CUSTOMER P/N:	BV 201 0136	DATE:	2022-05-18
SHINHOM P/N:	PE200602	REV: A0	PAGE
DRAWN BY	CHECKED BY	APPROVE BY	



SHINHOM

SHAANXISHINHOM ENTERPRISE CO LTD

The Document property belong to SHINHOM & is not allowed to be duplicated without authorization