

Data sheet

Commercial Art.No.: 41.032.3043.9

Connector RST08i3 S S1 ZR1SH BL

RST08i3 connector, 3 pole, male, screw connection, application 250V/400V, 8A, for cable diameters 4-7mm, coding color light blue, color of housing black



Commercial Art.No.	41.032.3043.9
EAN	4049088482090
Order Unit	1

Certificates / Approvals



LR

RINA



Technical data

General

Rated current	8 A
Rated voltage	250 V / 400 V
Rated impulse voltage	2.5 kV
strain relief	yes
Pollution degree	3
Lockable	self-locking (unlocking by hand)
Color of coding/ contact carrier	light blue
Marking of poles	1, 2/N, 3
Color of housing inclusive strain relief	black

Connection Data

Cable diameter max.	7 mm
Cable diameter min.	4 mm
Connection cross section solid mm ² max.	1 mm ²
Connection cross section solid mm ² min.	0.2 mm ²
Connection cross section fine stranded mm ² max.	1 mm ²
Connection cross section fine stranded mm ² min.	0.22 mm ²
Terminations per pole	1
sheath strip length	18 mm
Wire strip length	6 mm

Model

Model	male
Connection type	screw connection

Degree of protection (IP)	IP66/68 (3m;2h) /IP69
---------------------------	-----------------------

Material

Housing material	Polyamide
halogen free	yes
Contact material	CuZn
Fire load	0 kWh
Insulation components continuous temperature	100 °C
Surface finish	Silver-plated
UL classification housing	UL-V0
UL classification strain relief	UL-V0

Dimensions

Length	41.8 mm
Width	14.9 mm
Height	14.9 mm

Classification

ECLASS 11	
ECLASS 8.1	27440605
ETIM 7.0	EC002560
ETIM 6.0	EC002560
ETIM 5.0	EC002560
ETIM 4.0	EC002560

Note

Note	RST® terminals with screw clamping allow the connection of conductors without special preparation (without ferrules) according to EN 60999-1.
------	---

Product compliance

ROHS conformity status	Compliant/Exempted
ROHS exceptions	III-6(c)
REACH-SVHC conformity status	Duty-To-Declare
REACH-SVHC substances	Lead
REACH-SVHC CAS numbers	7439-92-1

Accessories

Commercial Art.No.:	Article-type description:	Description:
06.563.5153.1	Cover for male connector SW	RST08i3/2 cover piece, for covering unused male connectors, with fastening belt, color black
06.502.6100.0	allen key RST MICRO SW 0,9	Pin wrench for screw terminals RST® MICRO
06.502.6300.0	screwdriver RST MICRO SW 0,9	Hexagonal wrench for screw terminals RST® MICRO

Fits with

Commercial Art.No.:	Article-type description:	Description:

4L.031.3043.9	Connector RST08i3 S 11 ZR1SH BL	RST08i3 connector with longitudinal sealing, 3 pole, female, screw connection, application 250V/400V, 8A, for cable diameters 4-7mm, coding color light blue, color of housing black
41.031.4043.9	Device connector RST08i3 S B1 M02H BL	RST08i3 device connector M14, 3 pole, female, screw connection, application 250V/400V, 8A, coding color light blue
4L.031.4043.9	Device connector RST08i3 S 11 M02H BL	RST08i3 device connector M14 with longitudinal sealing, 3 pole, female, screw connection, application 250V/400V, 8A, coding color light blue
41.031.3043.9	Connector RST08i3 S B1 ZR1SH BL	RST08i3 connector, 3 pole, female, screw connection, application 250V/400V, 8A, for cable diameters 4-7mm, coding color light blue, color of housing black
4L.030.0143.9	Distributor RST08i3VL3P1HF V BL	RST08i3 distribution block for parallel connections, with longitudinal sealing, 3 pole, application 250V/400V, 8A, 1 input and 3 outputs, coding color light blue, color of housing black
4L.030.1143.9	Distributor RST08i3VL2P1YF V BL	RST08i3 distribution block for parallel connections, with longitudinal sealing, 3 pole, application 250V/400V, 8A, 1 input and 2 outputs, coding color light blue, color of housing black

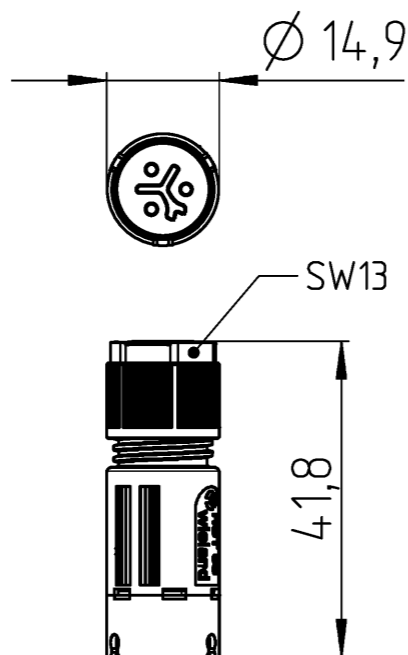
A
 Weitergabe sowie Vervielfältigung dieses Dokuments, Verwertung und Mitteilung seines Inhalts sind verboten, soweit nicht ausdrücklich gestattet.
 The reproduction, distribution and utilization of this document as well as the communication of its contents to others without express authorization is prohibited.

B
 These dimensions will be especially checked at delivery
 Only inspection dimensions
 With /E marked dimensions are only valid for internal use

C
 Diese Maße werden bei Abnahme besonders geprüft
 Ausschließlich Prüfmaße
 Mit /E gekennzeichnete Maße sind nur für interne Zwecke gültig

D
 E
 F

Gezeichnete Ausführung/drawn version
 41.032.3053.1

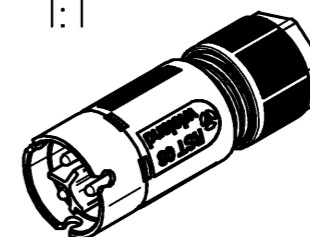


Auslieferungszustand/
 delivery status



Teile-Nr. /part-no.	Type	Kodierung /coding
41.032.3053.1	RST08i3 S S1 ZR1 H SW	C1
4L.032.3053.1	RST08i3 S 21 ZR1 H SW	
41.032.3043.9	RST08i3 S S1 ZR1SH BL	C2
4L.032.3043.9	RST08i3 S 21 ZR1SH BL	
41.032.3041.4	RST08i3 S S1 ZR1SHL SG	C3
4L.032.3041.4	RST08i3 S 21 ZR1SHL SG	
41.032.3051.8	RST08i3 S S1 ZR1SHL KG	C4
4L.032.3051.8	RST08i3 S 21 ZR1SHL KG	
41.022.3043.1	RST08i3/2S S1 ZR1 H SW	C1
4L.022.3043.1	RST08i3/2S 21 ZR1 H SW	
41.022.3043.9	RST08i3/2S S1 ZR1SH BL	C2
4L.022.3043.9	RST08i3/2S 21 ZR1SH BL	
41.022.3041.4	RST08i3/2S S1 ZR1SHL SG	C3
4L.022.3041.4	RST08i3/2S 21 ZR1SHL SG	
41.022.3041.8	RST08i3/2S S1 ZR1SHL KG	C4
4L.022.3041.8	RST08i3/2S 21 ZR1SHL KG	

1:1



● = Pol nicht bestückt
 /pole not mounted

Weitere Daten siehe KATALOG oder eKatalog
 additional data see CATALOG or eCATALOG
www.wieland-electric.com
eshop.wieland-electric.com

Tolerierung Size ISO 14405 © / Tolerance system Size ISO 14405 ©. (This ISO-standard describes the envelope principle. According to the envelope principle the deviations of form and parallelism are limited by the size tolerances).		ja/yes <input checked="" type="checkbox"/> Stoffverbots- und Deklarationsliste nach WN 5020.010 ist einzuhalten. Conformity with Wieland document WN 5020.010 e (list of prohibited / declarable hazardous substances) to be declared!	
Freitoleranz nach General tolerance		CAD - Zeichnung, keine manuellen Änderungen CAD - drawing, no manual modifications allowed	1 Verwendung: First Use:
Blatt: 1 von 1 Sheet: 1 of 1		Zeichnung Nr. / Drawing No.	
/		Werkstoff / Material	Tag/Date Name
/		Maßstab / Scale	gezeichnet drawn 22.02.2018 Hollet
/		1:1	geprüft checked
/		Vol. mm ³ Dfl./Srf. mm ²	Normgepr. Stand. check
/		Ersatz für / Replacement for:	
/		Type	Benennung/Title
a	12.03.2020 /	wieland RSTmicro	STECKERTEIL_FA_ZE
Index	Datum / Blatt Date / Sheet	www.wieland-electric.com	male with strain relief
Änderung / Revision			