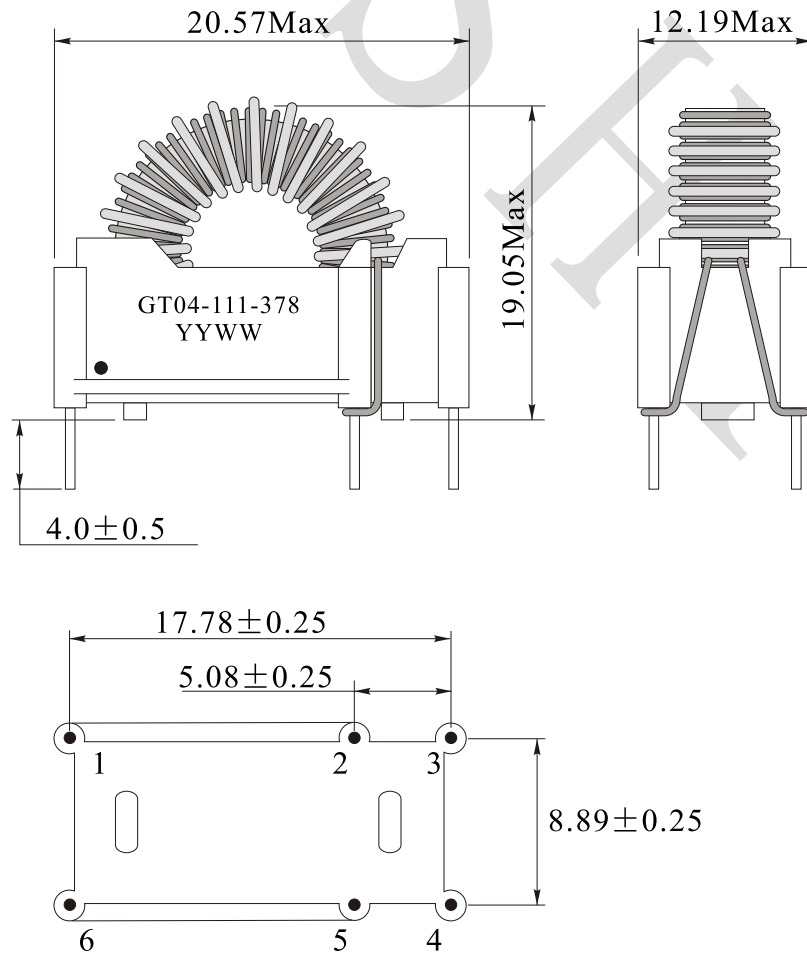
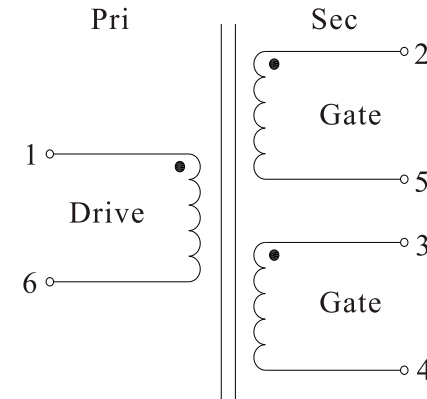


Rev.	Description	Date
A0	New release	2023.07.21

1. PHYSICAL CHARACTERISTICS(mm)



2. ELECTRONICAL SCHEMATIC



3. ELECTRONICAL SPECIFICATIONS

- Turns ratio: 1:1:1
- L(1-6): 8.8mH Min@10KHz,0.1V
- Lk(1-6): 1.2uH Max@10KHz,0.1V
- ET: 378V*use Max
- DCR(1-6): 2.7 Ω Max
- (2-5)=(3-4): 2.7 Ω Max
- Hi-Pot: 4500Vrms,3S N1 to N2,N3
- Operating temperature: -40°C to +130°C

Test Instrument: WK 3260B+3261A

NOTES:

Temp 20°C 48%RH
RoHS Compliant

NAME:	Driver transformer		
CUSTOMER P/N:		DATE:	2023-07-21
SHINHOM P/N:	GT04-111-378	REV:	A0
DRAWN BY:		CHECKED BY:	APPROVE BY:
			PAGE



SHINHOM
SHAANXISHINHOM ENTERPRISE CO LTD

The Document property belong to SHINHOM & is not allowed to be duplicated without authorization