



**Appearance & Shape:** To be free from any defect such as flow, burrs, unevenness etc; as per IEC standards

**Effective parameters irrespective of material grade (per piece)**

Parameter	Value	Unit
Effective Length ( $L_e$ )	43.6	mm
Effective Area ( $A_e$ )	33.6	mm <sup>2</sup>
Effective Area ( $A_{Min}$ )	33.6	mm <sup>2</sup>
Effective Volume ( $V_e$ )	1465	mm <sup>3</sup>
Approx. Weight (without gap)	8.0	g/piece



**T2007 Coated (Green)**

**Test Conditions: 10kHz/150mV/CFR COIL,N=01/L<sub>0</sub>=Zero/25°C**

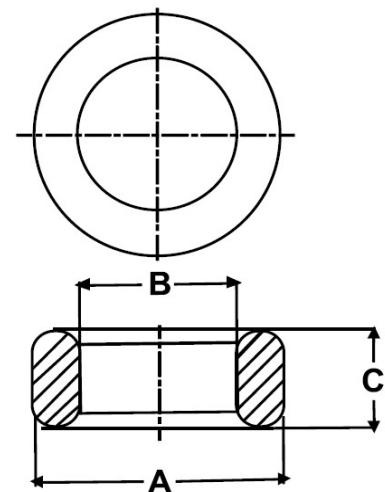
Material Grade	Initial Permeability ( $\mu_{iac}$ )	AL Value (nH)	D. Strength (kV)	Ordering code
CF195	5000 ±20%	4850 +30%/-20%	≥2.0	CF195 T2007 C
CF190	6000 ±20%	5800 +30%/-20%	≥2.0	CF190 T2007 C
CF197	7000 ±20%	6800 +30%/-20%	≥2.0	CF197 T2007 C
CF199	9000 ±20%	8700 +30%/-30%	≥2.0	CF199 T2007 C

**Dimensions Un-Coated Core (in mm)**

Dimension	Nominal	Maximum	Minimum
A	20.0	20.4	19.6
B	10.0	10.25	9.75
C	7.0	7.3	6.7

**Dimensions Coated Core (in mm)**

Dimension	Nominal	Maximum	Minimum
A	-	21.0	-
B	-	-	9.15
C	-	7.9	-



- Ferrite material for the product is in compliance with RoHS directive 2011/65/EU
- Epoxy Coating is UL Approved, UL file number E483791
- Coating material for the product is in compliance with RoHS directive 2011/65/EU

For general terms and conditions please visit

[http://www.cosmoferrites.com/Downloads/Downloads/bcb70e7c-ae33-40ec-a881-0d5120db57b6\\_GTC.pdf](http://www.cosmoferrites.com/Downloads/Downloads/bcb70e7c-ae33-40ec-a881-0d5120db57b6_GTC.pdf)

**Regd. Office & Works: Jabli, Distt. Solan, Himachal Pradesh – 173 209 (India)**

**E-mail: sales@cosmoferrites.com**