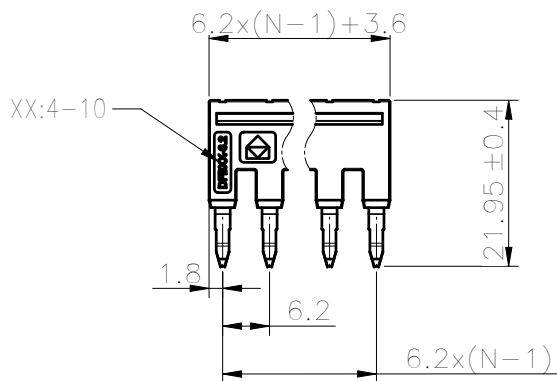
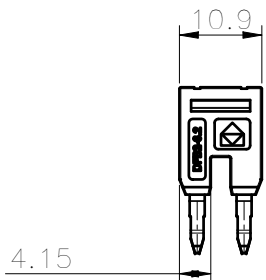
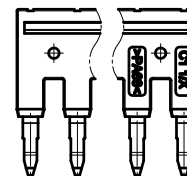


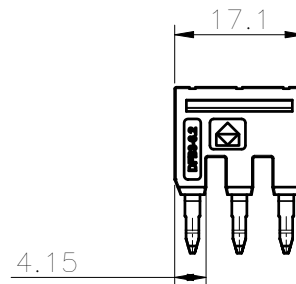
未注公差/General tolerances(mm)												0.1/10	
0	>3	>6	>10	>18	>30	>50	>80	>120	>180	>250	>315		>400
~3	~6	~10	~18	~30	~50	~80	~120	~180	~250	~315	~400	~500	>500
±0.12	±0.18	±0.22	±0.26	±0.31	±0.37	±0.57	±0.80	±0.93	±1.05	±1.15	±1.60	±2.20	±2.50



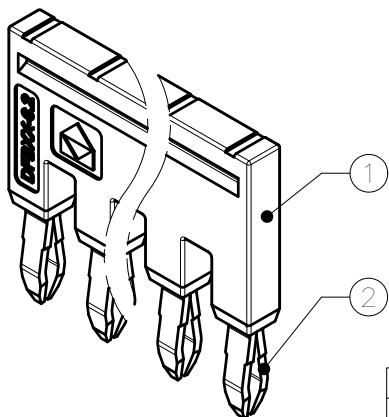
4-10P



2P



3P



2	Current_carrier	Copper	Sn_Plated
1	Housing	PA66	UL94V-0
ITEM	NAME OF PART	MATERIAL	NOTES

间距/Pitch(mm)/线数范围/Poles	6.2/N=2~10P
使用温度范围/Operating temperature(°C)	-40~+105
符合RoHS 环保要求/Conform to RoHS	Yes

APPD: Peng M	2022.06.16
CHKD: Gao WG	2022.06.16
DRFT: Huang RJ	2022.06.16

MATERIAL: /	SURFACE: /
MAT. NO./REV: /	MAT STATUS: /
NAME	
DFBXX-6.2-1Y-00A(H)	

00	/	/	Huang RJ	2022.06.16
REV	ECN	DESCRIPTION	DRFT	DATE

	A4		mm (inch)	DRAWING NO.	TYPE	DRAWING STATUS	SCALE	SHEET
/	/	/	/	/	CUSTOMER DRAWING	/	1:1	1/1

Transfer or duplication of this document as well as the utilization or communication of its contents are prohibited unless authorized. All rights reserved for patent, utility model or designs registrations. 非经许可擅自复制或传播, 否则禁止转让、复制、利用、交加本文件的内容, 一经发现将追究法律责任。 保留所有权利。