

## MATERIAL

Insulator : PBT+30% Glass fiber

Contact Pin : Brass

## SPECIFICATION

Current Rate : 3 AMP

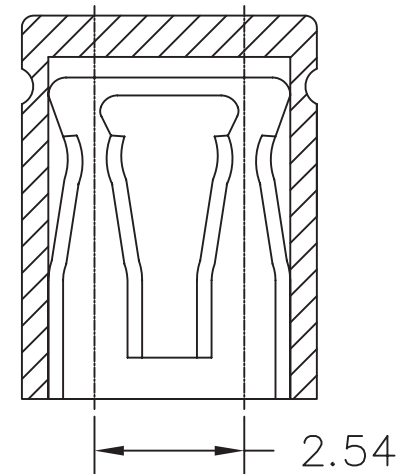
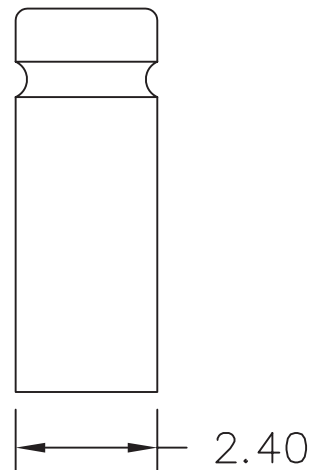
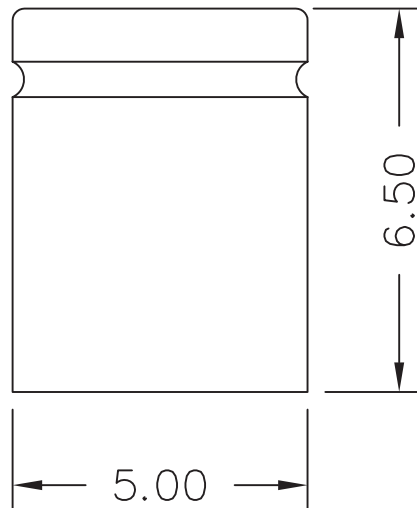
Insulation Resistance : 5000M $\Omega$ Min. at DC 500V

Contact Resistance : 20m $\Omega$ Max. at DC 100mA

Dielectric Voltage : 1000V AC for one minute

Operation Temperature : -55°C to +105°C

**RoHS Compliant**



TOLERANCES ARE

X.  $\pm$   
.X  $\pm$  0.30  
.XX  $\pm$  0.20  
.XXX  $\pm$   
ANG  $\pm$

DESCRIPTION: MINI JUMPER 2.54mm CLOSE 6.5mm