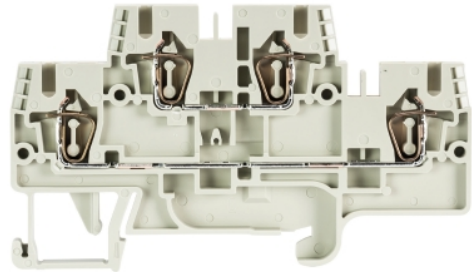


Data sheet

Commercial Art.No.: 56.703.7055.0

Multi-tier terminal WKFN 2,5 E/35

Duo Feed-through terminal with tension spring connection for mounting on TS 35, nominal cross section: 2.5 mm², width: 5 mm, color: grey



| | |
|--------------------|---------------|
| Commercial Art.No. | 56.703.7055.0 |
| EAN | 4015573718395 |
| Order Unit | 100 |

Certificates / Approvals



CAN-Ex



PTB



USA-Ex



Technical data

General

| | |
|--|-----------------------------------|
| Nominal cross section | 2.5 mm ² |
| Color | Grey |
| Number of levels | 2 |
| Number of clamp positions per level | 2 |
| Width/grid dimension | 5 mm |
| Insulating housing | PA666 |
| Inflammability class of insulation material acc. with UL94 | V0 |
| Explosion-tested version "Ex e" | yes |
| Mounting method | DIN rail (top hat rail) 35/7.5 mm |
| Terminal blocks for electrical installations | yes |

Technical data

| | |
|-----------------------------|---------------|
| Rated current | 24 A |
| Rated voltage | 500 V |
| Rated impulse voltage | 6 kV |
| Pollution degree | 3 |
| Closing plate required | yes |
| Type of insulation material | Thermoplastic |
| Length | 82.2 mm |

Connection Data

| | |
|-------------------------------------|-------------------------|
| Connection type 1 | spring clamp connection |
| Connection type 2 | spring clamp connection |
| Minimum cross section solid | 0.13 mm ² |
| Maximum cross section solid | 4 mm ² |
| Minimum cross section fine stranded | 0.13 mm ² |
| Maximum cross section fine stranded | 2.5 mm ² |

| | |
|-------------------|-------|
| Wire strip length | 11 mm |
|-------------------|-------|

Technical Data UL/CSA

| | |
|------------------------|-----------|
| Cross section UL | 22-12 AWG |
| Voltage UL | 300 V |
| Current factory wiring | 20 A |
| Current field wiring | 20 A |
| Cross section CSA | 24-12 AWG |
| Voltage CSA | 300 V |
| Current CSA | 24 A |

Note

| | |
|-------------------------|------------------|
| Remark to rated voltage | UL+CSA 300V/600V |
|-------------------------|------------------|

Classification

| | |
|------------|----------|
| ECLASS 11 | |
| ECLASS 8.1 | 27141120 |
| ETIM 7.0 | EC000897 |
| ETIM 6.0 | EC000897 |
| ETIM 5.0 | EC000897 |
| ETIM 4.0 | EC000897 |
| ETIM 3.0 | EC000897 |

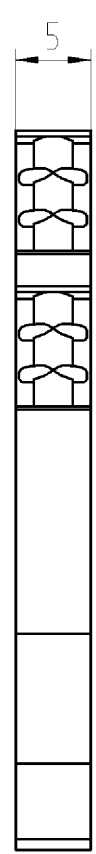
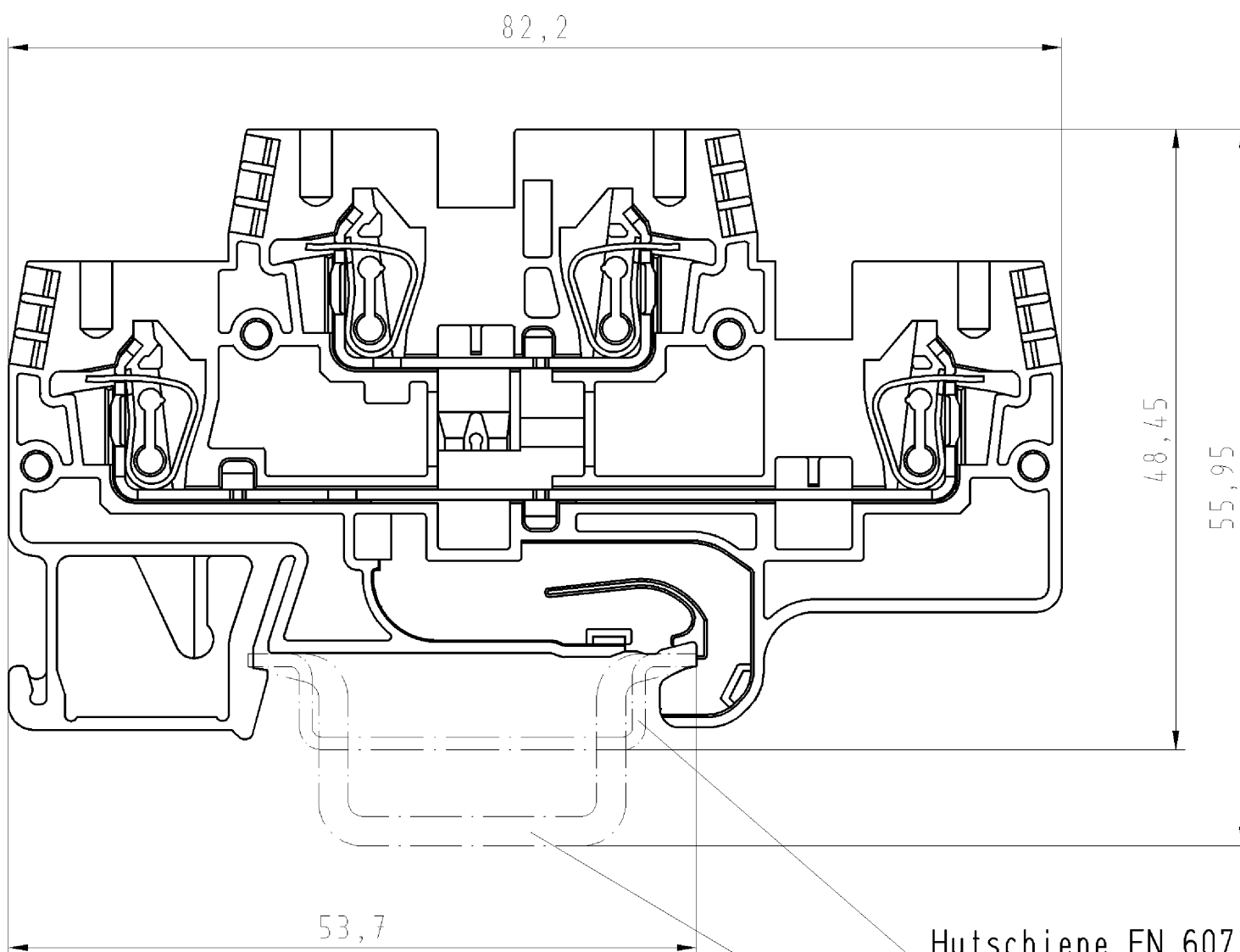
Product compliance

| | |
|------------------------------|-----------|
| ROHS conformity status | Compliant |
| REACH-SVHC conformity status | Compliant |

Accessories

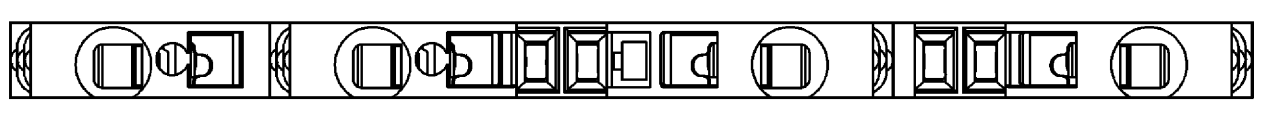
| Commercial Art.No.: | Article-type description: | Description: |
|---------------------|---------------------------|---|
| Z7.261.1127.0 | Jumper bar IVB WKF-V | Vertical cross connector for multi-tier DIN rail terminal blocks type WKF...E..., 1 -pole |
| Z7.280.6227.0 | Jumper bar IVBWKF 2,5- 2 | Cross connector, insulated for DIN rail terminal blocks type WKF..., 2 -pole |
| Z7.280.6327.0 | Jumper bar IVBWKF 2,5- 3 | Cross connector, insulated for DIN rail terminal blocks type WKF..., 3 -pole |
| Z7.280.6427.0 | Jumper bar IVBWKF 2,5- 4 | Cross connector, insulated for DIN rail terminal blocks type WKF..., 4 -pole |
| Z7.280.6527.0 | Jumper bar IVBWKF 2,5- 5 | Cross connector, insulated for DIN rail terminal blocks type WKF..., 5 -pole |
| Z7.280.6627.0 | Jumper bar IVBWKF 2,5- 6 | Cross connector, insulated for DIN rail terminal blocks type WKF..., 6 -pole |
| Z7.280.6727.0 | Jumper bar IVBWKF 2,5- 7 | Cross connector, insulated for DIN rail terminal blocks type WKF..., 7 -pole |
| Z7.280.6827.0 | Jumper bar IVBWKF 2,5- 8 | Cross connector, insulated for DIN rail terminal blocks type WKF..., 8 -pole |
| Z7.280.6927.0 | Jumper bar IVBWKF 2,5- 9 | Cross connector, insulated for DIN rail terminal blocks type WKF..., 9 -pole |
| Z7.280.7027.0 | Jumper bar IVBWKF 2,5- 10 | Cross connector, insulated for DIN rail terminal blocks type WKF..., 10 -pole |

| | | |
|---------------|--|--|
| 98.300.0000.0 | Mounting rail TS 35x7,5 UNPERF - l:2000mm | Mounting rail TS 35, unslotted, size 7,5 mm, length 2 m, material steel. galv. zinc-plated and dichromated |
| 98.300.1000.0 | Mounting rail TS 35x7,5 PERF 15mm - l:2000mm | Mounting rail TS 35, slotted, size 7,5 mm, length 2 m, material steel. galv. zinc-plated and dichromated |
| 98.300.1900.0 | Mounting rail TS 35x7,5 PERF 25mm - l:2000mm | Mounting rail TS 35, slotted, size 7,5 mm, length 2 m, material steel. galv. zinc-plated and dichromated |
| 98.360.0000.0 | Mounting rail TS 35x15-2,3 UNPERF - l:2000mm | Mounting rail TS 35, unslotted, size 15 mm, length 2 m, material steel. galv. zinc-plated and dichromated |
| 98.360.0004.0 | Mounting rail TS 35x15-2,3 UNPERF FZN - l:2000mm | Mounting rail TS 35, unslotted, size 15 mm, length 2 m, material steel, hot galvanized |
| 98.370.0000.0 | Mounting rail TS 35x15 UNPERF - l:2000mm | Mounting rail TS 35, unslotted, size 15 mm, length 2 m, material steel. galv. zinc-plated and dichromated |
| 98.370.1000.0 | Mounting rail TS 35x15 PERF 15mm - l:2000mm | Mounting rail TS 35, slotted, size 15 mm, length 2 m, material steel. galv. zinc-plated and dichromated |
| 98.380.0000.0 | Mounting rail TS 35x15-2,3 UNPERF CU - l:2000mm | Mounting rail TS 35, unslotted, size 15 mm, length 2 m, material E copper |
| 07.312.7355.0 | End plate APFN 2,5 E/35 | End plate for DIN rail terminal blocks type WKFN 2,5 E..., color: grey |
| 07.312.7455.0 | Partition TWFN 2,5 E/35 | Partition for DIN rail terminal blocks type WKFN 2,5 E..., color: grey |
| Z7.280.7127.0 | Jumper bar IVBWKF 2,5- 11 | Cross connector, insulated for DIN rail terminal blocks type WKF..., 11 - pole |
| Z7.280.7227.0 | Jumper bar IVBWKF 2,5- 12 | Cross connector, insulated for DIN rail terminal blocks type WKF..., 12 - pole |
| Z7.280.8027.0 | Jumper bar IVBWKF 2,5- 20 | Cross connector, insulated for DIN rail terminal blocks type WKF..., 20 - pole |
| 98.300.1800.0 | Mounting rail TS 35x7,5 PERF 18mm - l:2000mm | Mounting rail TS 35, slotted, size 7,5 mm, length 2 m, material steel. galv. zinc-plated and dichromated |
| 05.564.3755.0 | Wire entry guides LEL 2,5/1 white | Wire entry guides for wires with a nominal cross section of 0.13mm ² -0.20mm ² , color: white |
| 05.564.3855.0 | Wire entry guides LEL 2,5/1 gray | Wire entry guides for wires with a nominal cross section of 0.25mm ² -0.5mm ² , color: grey |
| 05.564.3955.0 | Wire entry guides LEL 2,5/1 black | Wire entry guides for wires with a nominal cross section of 0.75mm ² -1.0mm ² , color: black |
| 04.242.5053.0 | Marking tag strips 9705 A / 5 / 10 | Marking tag strips for DIN rail terminal blocks type 9700 A / 5..., 10 tags per strip, color: blue, unmarked, markable with Wieplot plotter-system |



Hutschiene EN 60715-35x7,5
mounting rail EN 60715-35x7,5

Hutschiene EN 60715-35x15
mounting rail EN 60715-35x15



| Teile-Nr./part-nr. | Farbe/color | Typ/type |
|--------------------|-------------|---------------------|
| 56.703.7055.0 | grau/grey | WKFN 2,5 /E/35 |
| 56.703.7055.6 | blau/blue | WKFN 2,5 /E/35 BLAU |

| | | | | | | | |
|--|--|---|--|---|--|---------------------------------|--|
| Tolerierung nach DIN 7167/Tolerance system acc. to DIN 7167. (This DIN-standard describes the envelope principle. According to the envelope principle the deviations of form and parallelism are limited by the size tolerances). | | | | ja/yes <input checked="" type="checkbox"/> Stoffverbots- und Deklarationsliste nach UU-TQM-05/03 ist einzuhalten. Conformity with Wieland document UU-TQM-05/03 (list of prohibited / declarable hazardous substances) to be declared! | | | |
| Freitoleranz nach - General tolerance | | CAD - Zeichnung, keine manuellen Änderungen CAD - drawing, no manual modifications allowed | | 1. Verwendung: - First Use: | | Blatt: 1 von 1 Sheet: 1 of 1 | |
| / | | Werkstoff/Material | | 2003 Tag/Date Name | | Zeichnung Nr./Drawing No. Index | |
| / | | - | | gezeichnet/drawn 15.05. Lunz S. | | T 56.703.7055.0 01K a | |
| / Maßstab/Scale | | 2:1 | | geprüft/checked - - | | Maße in mm/Dimensions are in mm | |
| / | | Vol. mm ³ Ofl./Surf. mm ² | | Ersatz für/Replacement for: - | | | |
| / | | wieland | | Type | | Benennung/Title | |
| a 12.10.2007/ | | Elektrische Verbindungen | | ETAGENKLEMME Double-deck terminal | | | |
| Index Datum / Blatt Date / Sheet | | Änderung/Revision | | | | | |

These dimensions will be especially checked at delivery
Only inspection dimensions
With /E marked dimensions are only valid for internal use

Diese Maße werden bei Abnahme besonders geprüft
Ausschließlich Prüfmaße
Mit /E gekennzeichnete Maße sind nur für interne Zwecke gültig

Weitergabe sowie Vervielfältigung dieses Dokuments, Verwertung und Mitteilung seines Inhalts sind verboten, soweit nicht ausdrücklich gestattet.
The reproduction, distribution and utilization of this document as well as the communication of its contents to others without express authorization is prohibited.

567037055001K_4_CADW1044_treschan 2007-10-12T08:31:02 1:000