

4

3

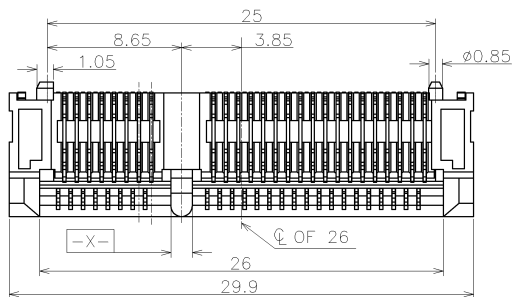
2

1

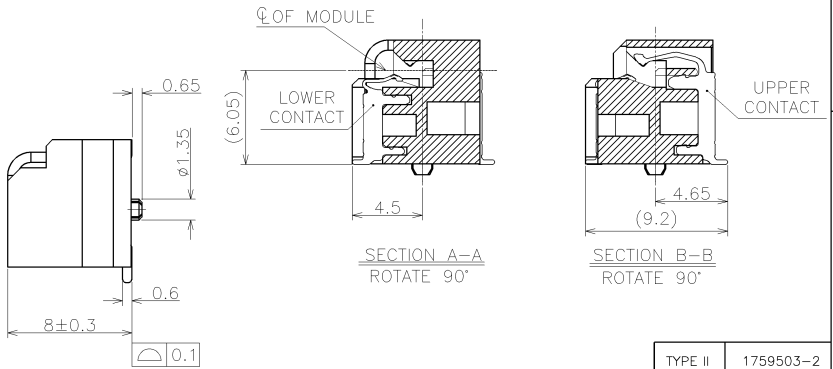
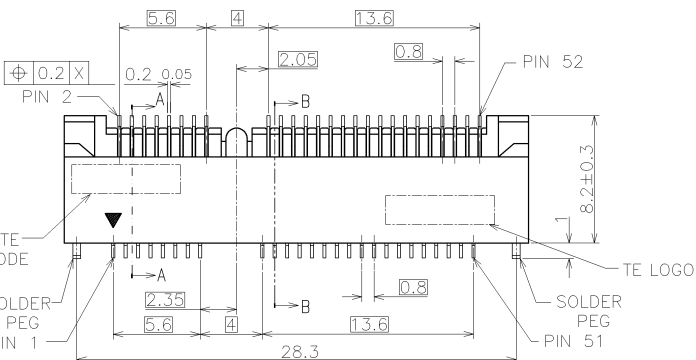
THIS DRAWING IS UNPUBLISHED. RELEASED FOR PUBLICATION ... 2006.  
 © COPYRIGHT 2006 BY TYCO ELECTRONICS CORPORATION. ALL RIGHTS RESERVED.

LOC	DIST	REVISIONS			
P	LTR	DESCRIPTION	DATE	DWN	APVD
B		ECR-09-023998	03NOV09	AW	H.K

1759503-1 ~ 2: AS SHOWN



- MATERIAL:  
HOUSING: LCP, UL 94V-0, BLACK COLOR.  
CONTACT: COPPER ALLOY  
SOLDER PEG: COPPER ALLOY
- FINISH:  
CONTACT: CONTACT AREA---Au FLASH, ALL OVER Ni PLATING  
SOLDERING AREA---Au PLATE, ALL OVER Ni PLATING  
SOLDER PEG: Sn PLATING, ALL OVER Ni UNDER PLATING
- REFLOW SOLDER CAPABLE TO 260°C PER TEC-109-201, CONDITION B.



TYPE II	1759503-2
TYPE I	1759503-1
PACKING TYPE	PART NUMBER

TOLERANCES UNLESS OTHERWISE SPECIFIED:  
 10 ≥ : ±0.2  
 30 ≥ > 10: ±0.25  
 100 ≥ > 10: ±0.3  
 ANGLES : ±3°

THIS DRAWING IS A CONTROLLED DOCUMENT.		DWN S.WATANABE 24JUL06	Tyco Electronics Tyco Holdings (Bermuda) VII Ltd. Taiwan Branch	
DIMENSIONS: MM		CHK K.KOBAYASHI 24JUL06	NAME	
TOLERANCES UNLESS OTHERWISE SPECIFIED:		APVD H.KODAMA 24JUL06	PRODUCT SPEC	
0 PLC ± -		APPLICATION SPEC		
1 PLC ± -		WEIGHT 2.55gr		
2 PLC ± -		SIZE A3 CAGE CODE 00779 DRAWING NO. 1759503		
3 PLC ± -		RESTRICTED TO		
4 PLC ± -		CUSTOMER DRAWING		
ANGLES ± 3°		SCALE 4:1 SHEET 1 OF 4 REV B		
MATERIAL SEE NOTE	FINISH SEE NOTE			

4

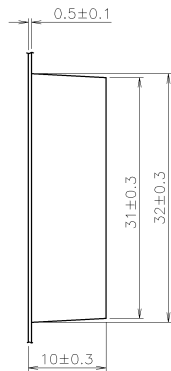
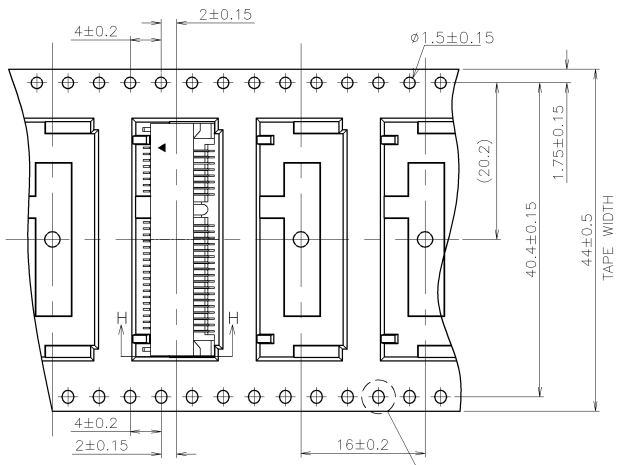
3

2

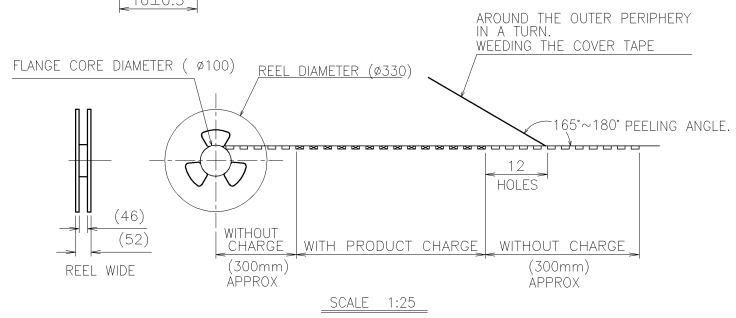
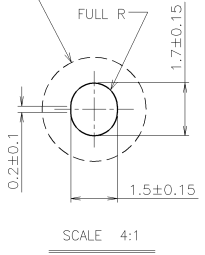
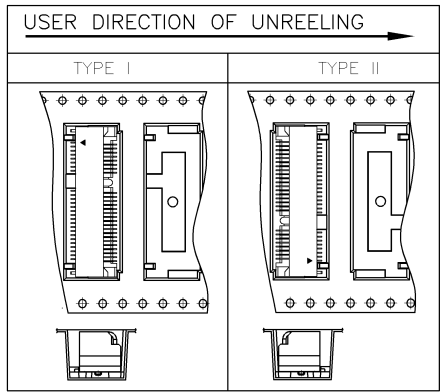
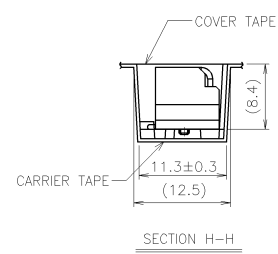
1

THIS DRAWING IS UNPUBLISHED. RELEASED FOR PUBLICATION OCT. 2003.  
 © COPYRIGHT 2003 BY TYCO ELECTRONICS CORPORATION. ALL RIGHTS RESERVED.

LOC	DIST	REVISIONS				
P	LTR	DESCRIPTION	DATE	DWN	APVD	
DW		SEE SHEET 1				



4. MATERIAL  
 CARRIER TAPE: PS, COLOR: CLEAR  
 COVER TAPE: PET, COLOR: CLEAR



400	5	2000
PCS/TAPE	REELS/BOX	PCS/BOX

THIS DRAWING IS A CONTROLLED DOCUMENT.

DIMENSIONS: MM	TOLERANCES UNLESS OTHERWISE SPECIFIED: 0 PLC ± - 1 PLC ± - 2 PLC ± - 3 PLC ± - 4 PLC ± - ANGLES ± -	DWN CHK APVD PRODUCT SPEC APPLICATION SPEC WEIGHT	Tyco Holdings (Bermuda) VII Ltd. Taiwan Branch NAME: 0.8MM PITCH MINI PCI EXPRESS CONNECTOR ASSEMBLY (8MM HEIGHT) SIZE: A3 CAGE CODE: 00779 DRAWING NO: C-1759503 CUSTOMER DRAWING
----------------	---	--	--

SCALE: 2:1 SHEET 2 OF 4 REV B



4

3

2

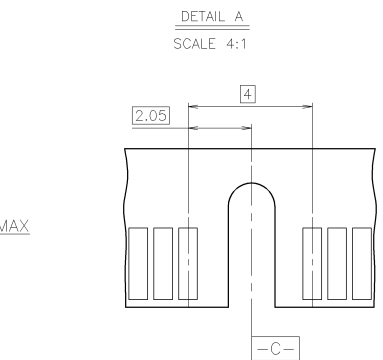
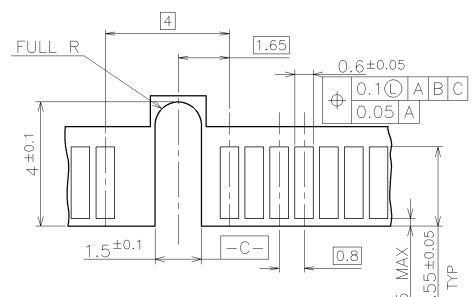
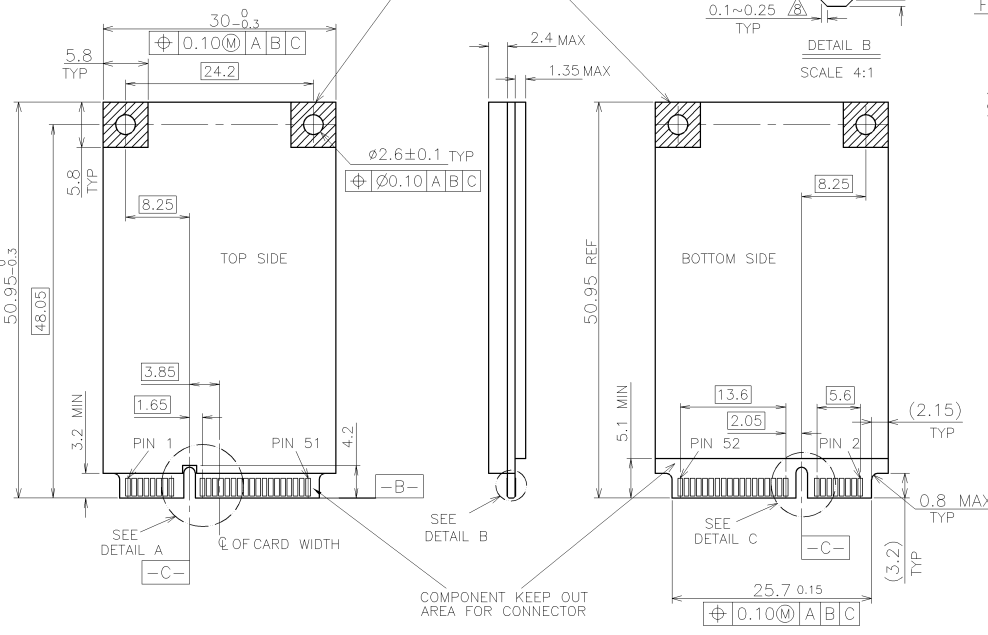
1

THIS DRAWING IS UNPUBLISHED. RELEASED FOR PUBLICATION OCT. 2003.  
 © COPYRIGHT 2003 BY TYCO ELECTRONICS CORPORATION. ALL RIGHTS RESERVED.

LOC	DIST	REVISIONS				
P	LTR	DESCRIPTION	DATE	DWN	APVD	
-	-	SEE SHEET 1	-	-	-	

- 6. PCI EXPRESS MINI CARD, PCB THICKNESS 1MM.
- △. CARD THICKNESS APPLIES ACROSS TABS AND INCLUDES PLATING AND/OR METALIZATION.
- △. BEVEL MUST BE FREE OF CUTTING BURRS.

COMPONENT AND ROUTING (ALL LAYERS)  
 KEEP OUT AREA FOR HOLD DOWN SOLUTIONS



THIS DRAWING IS A CONTROLLED DOCUMENT.		DWN	Tyco Holdings (Bermuda) VII Ltd.		
DIMENSIONS:		CHK	Taiwan Branch		
MM	TOLERANCES UNLESS OTHERWISE SPECIFIED:	APVD	NAME		
0 PLC	± -	PRODUCT SPEC	0.8MM PITCH		
1 PLC	± -	APPLICATION SPEC	MINI PCI EXPRESS CONNECTOR ASSEMBLY		
2 PLC	± -	WEIGHT	(8MM HEIGHT)		
3 PLC	± -	CUSTOMER DRAWING	SIZE	CAGE CODE	DRAWING NO
4 PLC	± -		A3	00779	C-1759503
ANGLES	± -		SCALE	SHEET	REV
MATERIAL	FINISH		2:1	4 OF 4	B