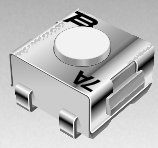


*RoHS COMPLIANT



BOURNS®

Features

- Compatible with most surface mount soldering processes
- Compatible with popular vacuum pick-and-place equipment
- J-hook, gull-wing & pinned configurations
- Sealed for board washing
- Meets EIA/EIAJ/IPC/VRCI SMD standard outline dimensions
- Top or side actuated
- RoHS compliant*

7914 4 mm SMD & Through-hole Sealed Key Switch

Electrical Characteristics

Contact Rating
 Maximum Current 100 mA max.
 Maximum Voltage 16 V
 Contact Resistance 100 milliohms max.
 Insulation Resistance .. 100 megohms min.
 Dielectric Strength..... 250 VAC

General Characteristics

Switch Type Normally open
 Operating Temperature Range
 -55 °C to +125 °C
 Storage Temperature Range
 -55 °C to +125 °C
 Seal Test 85 °C Fluorinert†
 Vibration 20 G
 Shock 100 G

Mechanical Characteristics

Actuator Force..... 300 ± 100 g
 Pushover Strength (S Style)
 2 kilograms minimum
 Cycle life, loaded 100,000 actuations
 Contact resistance 100 milliohms max.

Physical Characteristics

Cover Material Stainless steel
 Base Material..... Thermoplastic, UL94V-0
 Terminal Material Phosphor bronze
 Dome Material Stainless steel
 Actuator Material High temperature silicon rubber
 Marking..... Manufacturer's code and date code

Packaging Options
 J & G 500 pcs./reel; 50 pcs./tube
 S 200 pcs./reel
 H 50 pcs./tube

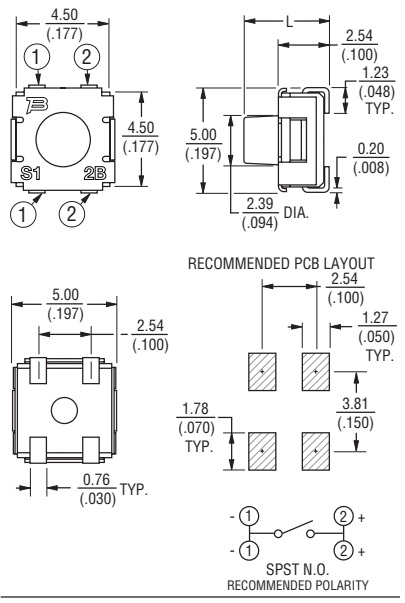
How to Order

7914 J - 1 - 000 E

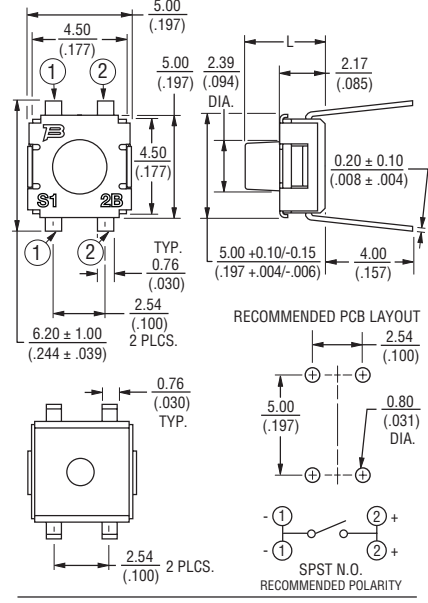
Model _____
 Terminal _____
 J = J-Hook H = Through-hole
 G = Gull Wing S = Right Angle
 Switch Type _____
 1 = N.O. Au Contacts
 Product Code for Button Height
 "L" (For Styles J, G and H)
 000 = 4.0 mm FMS
 024 = 2.4 mm FMS (Flush Actuator)
 032 = 3.2 mm FMS
 050 = 5.0 mm FMS (Tube packaging only)
 "B" (For Style S)
 000 = 1.68 mm FTS
 032 = 0.91 mm FTS
 024 = Flush Actuator
 050 = 2.7 mm FTS (Tape & Reel packaging only)
 Embossed Tape _____
 (Option applicable to Styles J, G and S only - Consult factory. Omit for Style J & G tube packaging.)
 G, J = 500 pcs./reel S = 200 pcs./reel
 FMS = From Mounting Surface
 FTS = From Top Surface

Product Dimensions

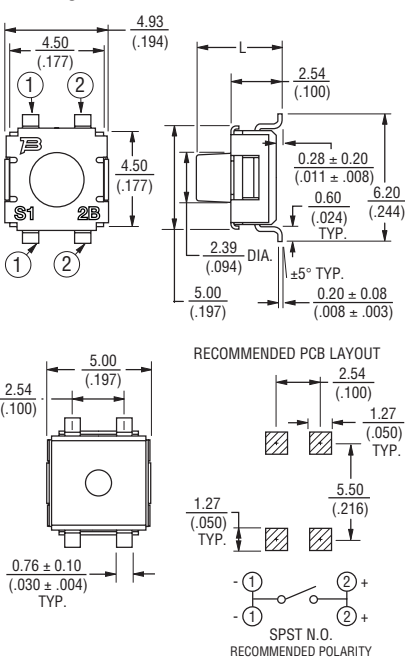
7914J J-Hook



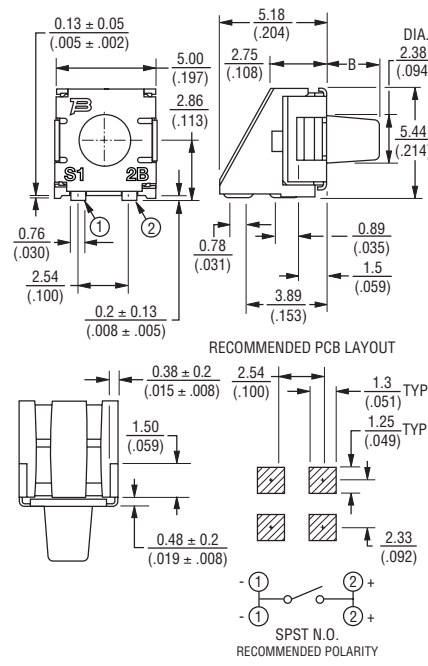
7914H Through-hole



7914G Gull Wing



7914S Right Angle



DIMENSIONS: $\frac{\text{MM}}{\text{(INCHES)}}$ TOLERANCES: ± 0.2 / $(.008)$
 EXCEPT WHERE NOTED.

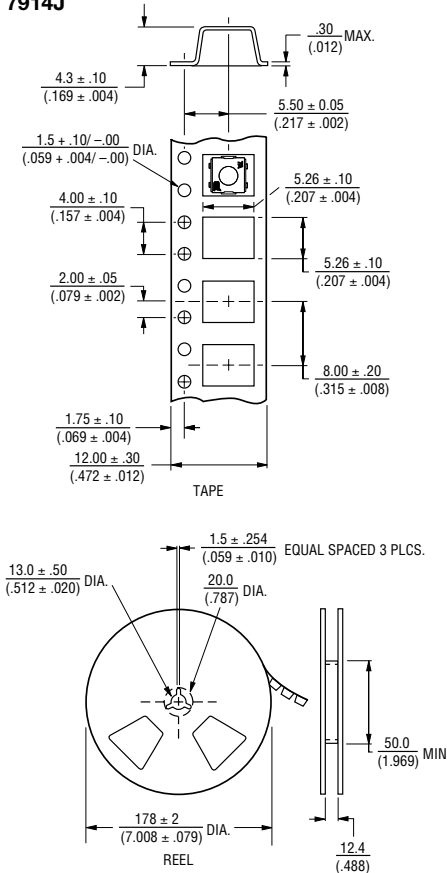
*RoHS Directive 2002/95/EC Jan 27 2003 including Annex.
 †"Fluorinert" is a registered trademark of 3M Co.
 Specifications are subject to change without notice.
 Customers should verify actual device performance in their specific applications.

7914 4 mm SMD & Through-hole Sealed Key Switch

BOURNS®

Packaging Specifications

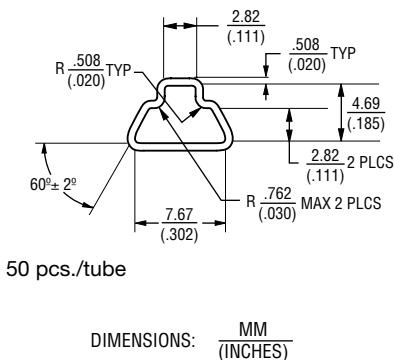
7914J



Meets EIA specification 481.

500 pcs./reel

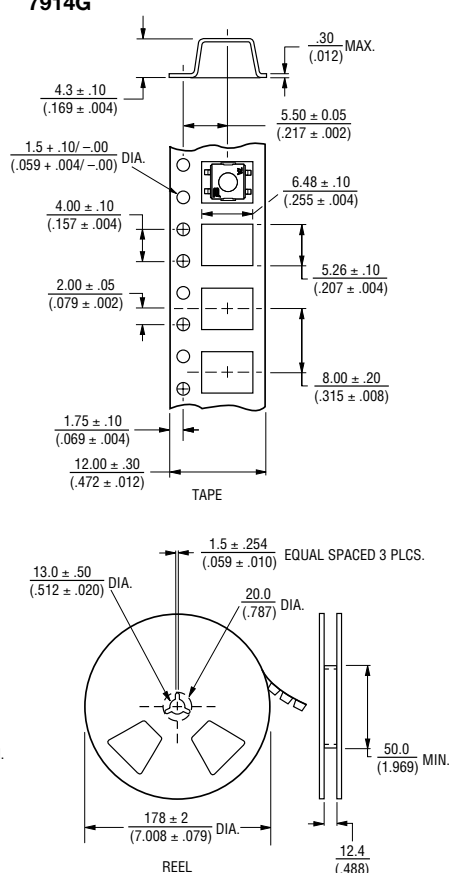
7914J/G



50 pcs./tube

DIMENSIONS: $\frac{\text{MM}}{\text{(INCHES)}}$

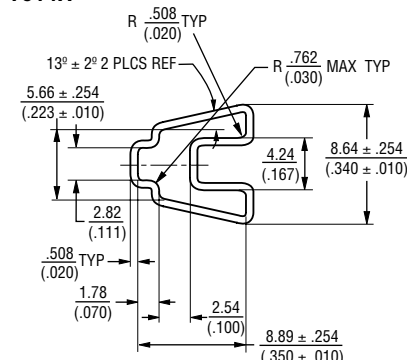
7914G



Meets EIA specification 481.

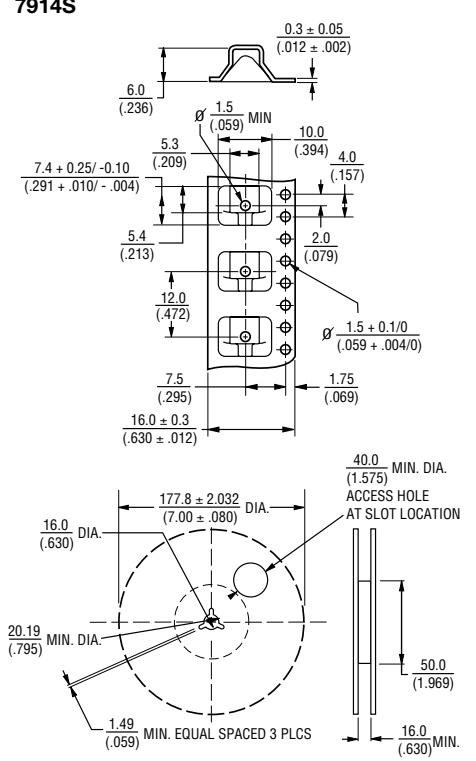
500 pcs./reel

7914H



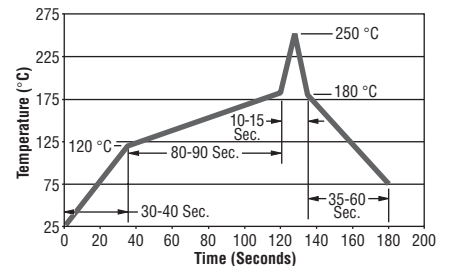
50 pcs./tube

7914S



200 pcs./reel

Reflow Soldering Profile



REV. 07/10

Specifications are subject to change without notice. Customers should verify actual device performance in their specific applications.