

Data sheet

Commercial Art.No.: 25.313.1253.0

Panel header 8213 S / 12 DFWW M

Feed Through-Pin Header, 12 -pole, with wire-wrap connection, without marking,
pitch: 5,08 mm, series: 8214 S / 12 DFWW M



| | |
|--------------------|---------------|
| Commercial Art.No. | 25.313.1253.0 |
| EAN | 4015573316928 |
| Order Unit | 50 |

Certificates / Approvals



Technical data

General

| | |
|--|----------------------|
| Modular spacing | 5.08 mm |
| Connection type | Soldering connection |
| Soldering process | None |
| Packaging | Carton |
| Number of poles | 12 |
| Number of levels | 1 |
| Marking | No |
| Fastening | Flange |
| Mating direction towards (circuit) board | None |

Technical data

| | |
|--------------------------|--------|
| Rated current | 6.5 A |
| Overvoltage Category I | 1000 V |
| Overvoltage Category II | 400 V |
| Overvoltage Category III | 250 V |
| Rated impulse voltage | 4 kV |

Technical Data UL/CSA

| | |
|------------------------|-------|
| Voltage UL | 300 V |
| Current field wiring | 6.5 A |
| Current factory wiring | 6.5 A |
| Voltage CSA | 300 V |
| Current CSA | 6.5 A |

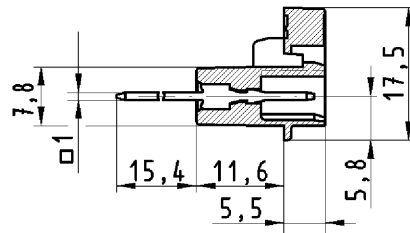
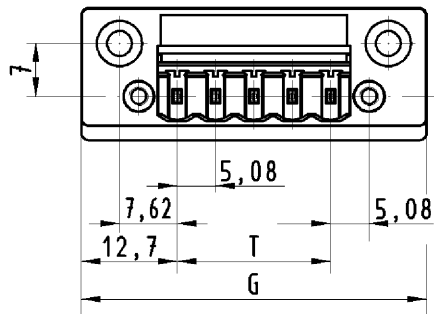
Other

| | |
|-----------------------------|---------------|
| Type of insulation material | Thermoplastic |
| Color | Grey |
| Height | 17.5 mm |
| Length | 81.28 mm |
| Depth | 17.1 mm |
| Material contact base | CuSn |

| | |
|--------------------------|----|
| Material contact surface | Sn |
|--------------------------|----|

Classification

| | |
|------------|----------|
| ECLASS 11 | |
| ECLASS 8.1 | 27440402 |
| ETIM 7.0 | EC002637 |
| ETIM 6.0 | EC002637 |
| ETIM 5.0 | EC002637 |
| ETIM 4.0 | EC002637 |



für folgende Tabellen-Zchnng.:

25.303.0253.0 8213 S/... DFWW
25.313.0253.0 8213 S/... DFWW M

STIFTLLEISTE DURCHFÜHRUNG

25.313.0253.0 10W

16.11.2007 SCJ

M 1:1