

Data sheet

Commercial Art.No.: 81.000.6140.0

Switched-mode power supply WIPOS P1 24-10

wipos switched-mode power supply, nominal voltage: 24 V DC / 10A (setting range 22,5-28,5 V DC), sustained short-circuitprotection, input voltage range: 115 V AC / 230 V AC (auto select); 210-370 V DC, single phase, W x H x D: 83 × 123,6 × 123,6 mm



Commercial Art.No.	81.000.6140.0
EAN	4049088037481
Order Unit	1

Certificates / Approvals



Technical data

General

Connection type	screw connection
Number of phases	Single phase power supply
Modular version	No
Mounting type, other	No
Mounting type, wall mounting	No
Rail mounting possible	yes
Housing material	Metal
Operating temperature min.	-40 °C
Operating temperature max.	71 °C
relative humidity min.	20 %
relative humidity max.	95 %
Storage temperature / transport min.	85 °C
Storage temperature / transport max.	-40 °C
Degree of protection (IP)	IP20
Parallel-service possible	yes
Number of parallel switchable device	3

Technical data

Function display	"DC OK" (LED green) (U(o) 17.6...19.4V)
function display "DC Low"	"DC Low" (LED red)
Short-circuit protective device	Strombegrenzung (fold forward)
temperature coefficient	±0,03%/K
ripple and noise	< 0.1 V

hold time 115V AC	> 25 ms
hold time 230V AC	> 30 ms
isolating voltage Output DC	4242 V
cohesive resistance (In-/Output)	100 MOhm
Derating	61°C...71°C: 2,5 %/K
cooling	free convection
MTBF	423.000h
Connector cross section (input)	min. 0,5mm ² (AWG24) max. 6mm ² (AWG10)
Connector cross section (output)	min. 0,5mm ² (AWG24) max. 6mm ² (AWG10)
Wire strip length	8 mm
Permissible torque max.	0.6 Nm
CE-Norm	EN55022 & EN61000-6-3, EN61000-3-2, EN61000-3-3, EN55024 & EN61000-6-2, EN61000-4-2, EN61000-4-3, EN61000-4-4, EN61000-4-5, EN61000-4-6, EN61000-4-8, EN61000-4-11, EN60204-1, EN61204-3
TÜV/safety	EN60950-1, EN61558-1, EN61558-2-16(erfüllt EN60204) , IRAM
Approval cULus	UL 508 Listed, UL60950-1 Recognized
Number of +	2
Number of -	2
Further terminals	L1, N, PE, OK (2x Relay-NO)

Output

Type of output voltage	DC
Power output	285 W
Output voltage stabilized	yes
Output voltage	24 V
Min. output voltage	22.5 V
Max. output voltage	28.5 V
Output current	10 A

Input

Type of voltage (input voltage)	
Power consumption	< 328 VA
Input voltage DC min.	210 V
Input voltage DC max.	375 V
Input voltage AC min.	115 V
Input voltage AC max.	230 V
Rated frequency min.	47 Hz
Rated frequency max.	63 Hz
Input fuse	T6,3A / 250V (intern)

Dimensions

Depth	123.6 mm
Width	83 mm
Height	123.6 mm
Mounting Distance horizontal	25 mm
Mounting Distance vertical	25 mm
Weight	1.3 kg

Classification

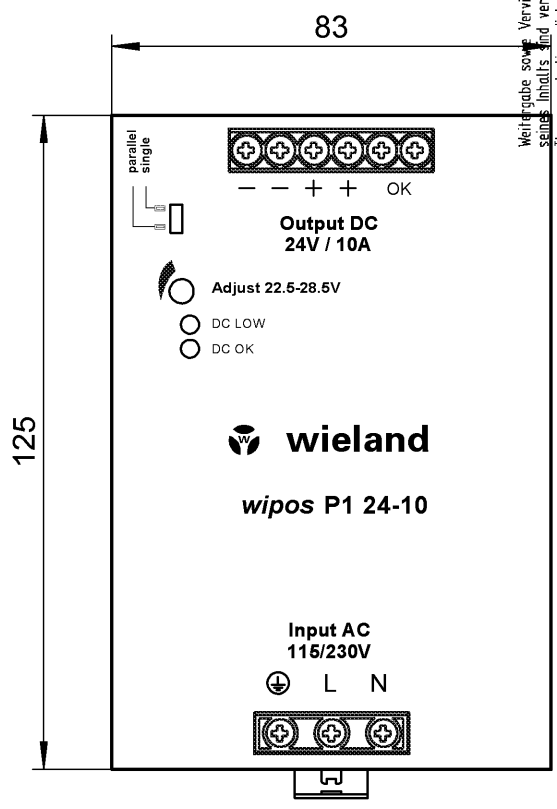
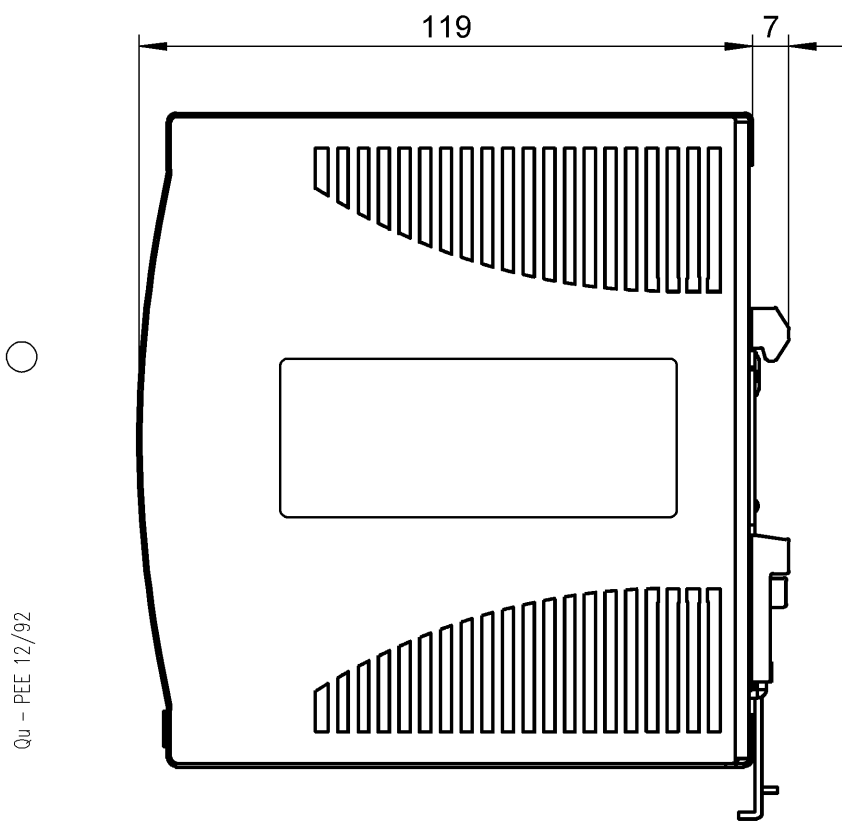
ECLASS 11	
ECLASS 8.1	27049002

ETIM 7.0	EC002540
ETIM 6.0	EC002540
ETIM 5.0	EC002540

Product compliance

ROHS conformity status	Compliant
REACH-SVHC conformity status	Compliant

Weitergabe sowie Vervielfältigung dieses Dokuments, Verwertung und Mitteilung
 seines Inhalts sind verboten, soweit nicht ausdrücklich gestattet.
 The reproduction, distribution and utilization of this document as well as the
 communication of its contents to others without express authorization is prohibited.



Qu - PEE 12/92

weitere Daten siehe Katalog
further data see catalog

ja/yes Stoffverbots- und Deklarationsliste nach UU-TQM-05/03 ist einzuhalten.
 Conformity with Wieland document UU-TQM-05/03 (list of prohibited / declarable hazardous substances) to be declared!

Freitoleranz nach General tolerance		CAD-Zeichnung, keine manuellen Änderungen CAD-Drawing, no manual modifications allowed			1. Verwendung: First Use:		Blatt: Sheet:		
		Werkstoff/ Material		2011	Tag/ Date	Name			
				gezeichnet drawn	21.06.	Viernekäs			
				geprüft checked					
				Normgepr. Stand. check					
				Zeichnung Nr./ Drawing No.					
				81.000.6140.0 01K					
				Maße in mm/Dimensions are in mm					
		Datei/ File: 028951_A_01K.dcd			Ersatz für/ Replacement for:				
		wieland Elektrische Verbindungen		Type	Benennung/ Title				
				Schaltnetzteil / Switching Power Supply					
				wipos P1 24 V DC / 10 A 1PH					
Index	Datum/ Blatt Date/ Sheet								
Änderung/ Revision									

D1G-CAD Druckauftrag CADW2034 Viernekäs 2011-06-22T13:04:36 1.000