

DETAILS

Product Number	C11193_TUIJA-3-M
Family	Tuija
Type	Lens array
Color	clear
Diameter	50 mm
Height	14,5 mm
Style	round
Optic Material	PMMA
Holder Material	
Fastening	pin, glue
Status	production ready
ROHS Compliant	Yes
Date Updated	1/12/2014



OPTICAL PROPERTIES

LED	Viewing	Light	Effi-	cd/lm	Connector
	Angle	Beam	ciency		
XP-E	19 deg	Medium	82 %	5.100	-
XP-G	20 deg	Medium	82 %	4.300	-
XB-D	16 deg	Medium	90 %	5.800	-
LUXEON Rebel	14 deg	Medium	82 %	6.200	-
LUXEON Rebel ES	18 deg	Medium	82 %	4.970	-
LUXEON A	17 deg	Medium	82 %	-	-
NCSxx19A	16 deg	Medium	82 %	-	-
NVSxx19A	16 deg	Medium	82 %	-	-
Oslon SSL 80	14 deg	Medium	82 %	2.100	-
Oslon SSL 150	sim: 23	Medium	82 %	sim: 5.300	-
Z5	12 deg	Medium	93 %	11.000	-
Double Dome (GM2BB)	16 deg	Medium	82 %	-	-

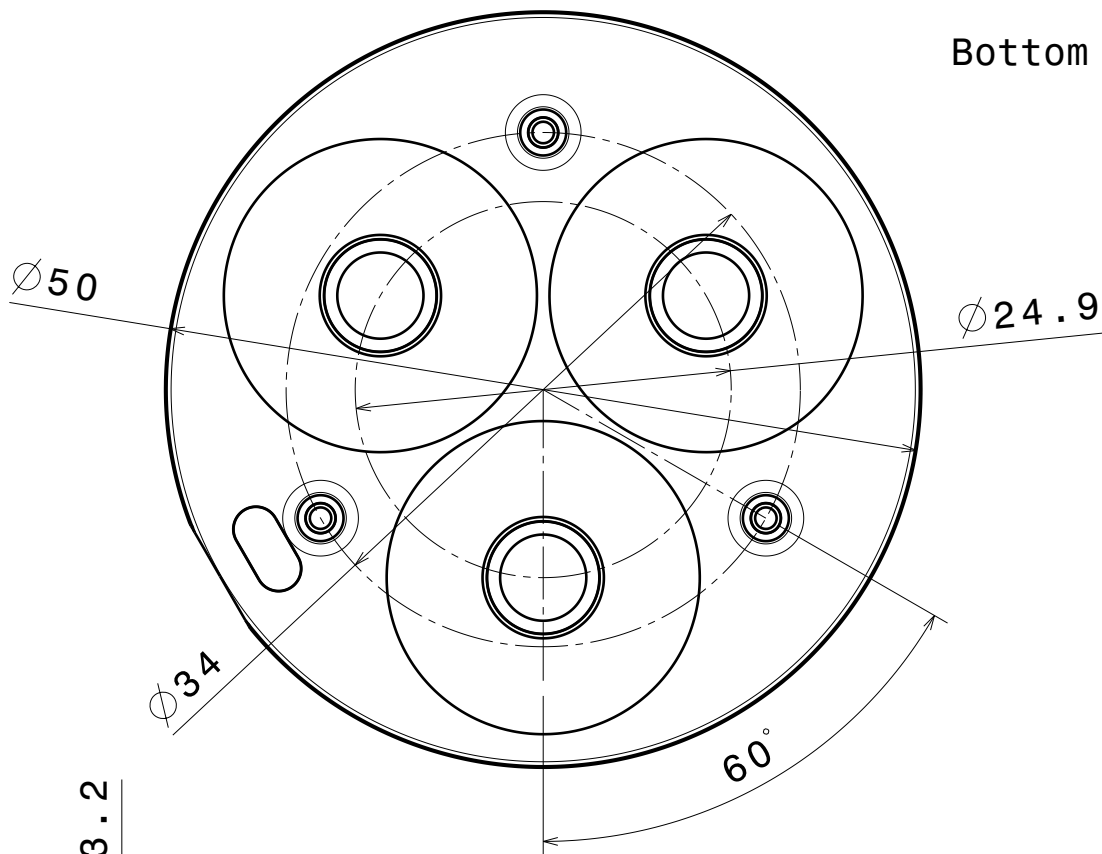
D

C

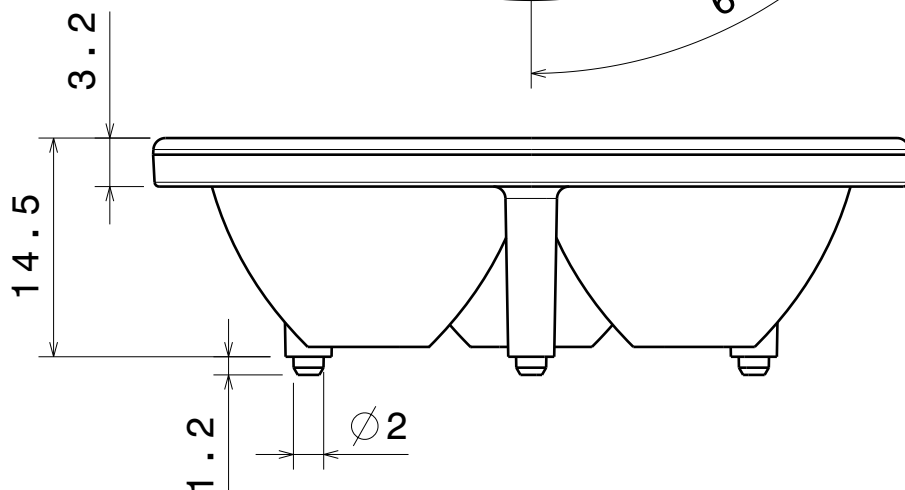
B

A

Bottom view



Front view



Part no.s:
 C11191_Tuija-3-W
 C11192_Tuija-3-SS
 C11193_Tuija-3-M

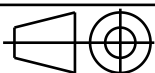
INDEX	DESCRIPTION	MATERIAL	COLOUR
1	TUIJA3_LENS	PMMA	

Tolerances if not otherwise shown
 According to DIN ISO 2768-1
 Linear measures:
 up to 30mm class M, otherwise class C
 According to DIN ISO 2768-2
 Form and position: class L

LEDiL

Ledil Oy
 Salorankatu 10
 FIN 24240 SALO
 Finland

THIRD ANGLE PROJECTION:



DRAWING TITLE

TUIJA3 lens family

This drawing is the property
 of LEDiL Oy. It may not be
 reproduced, copied or
 communicated without a written
 agreement with LEDiL Oy.

SIZE PART NUMBER

A4

-

SCALE 2:1 WEIGHT

-

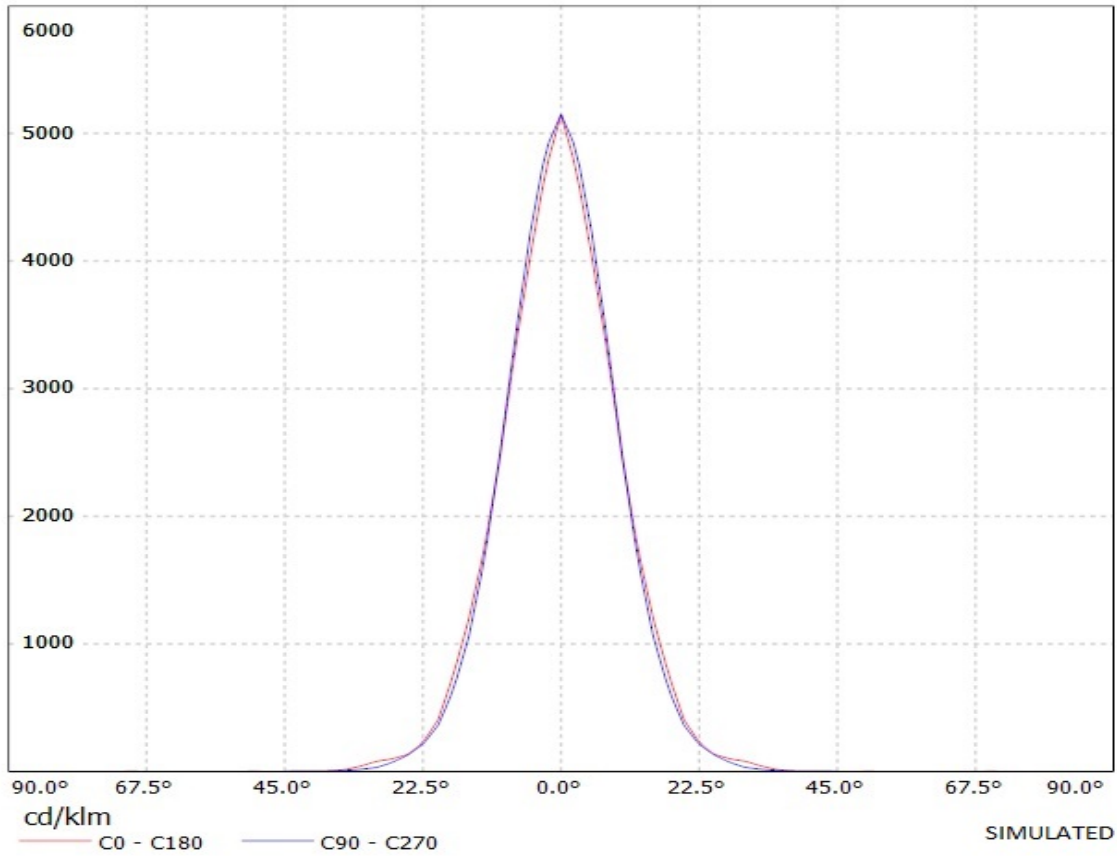
SHEET 1/1

D

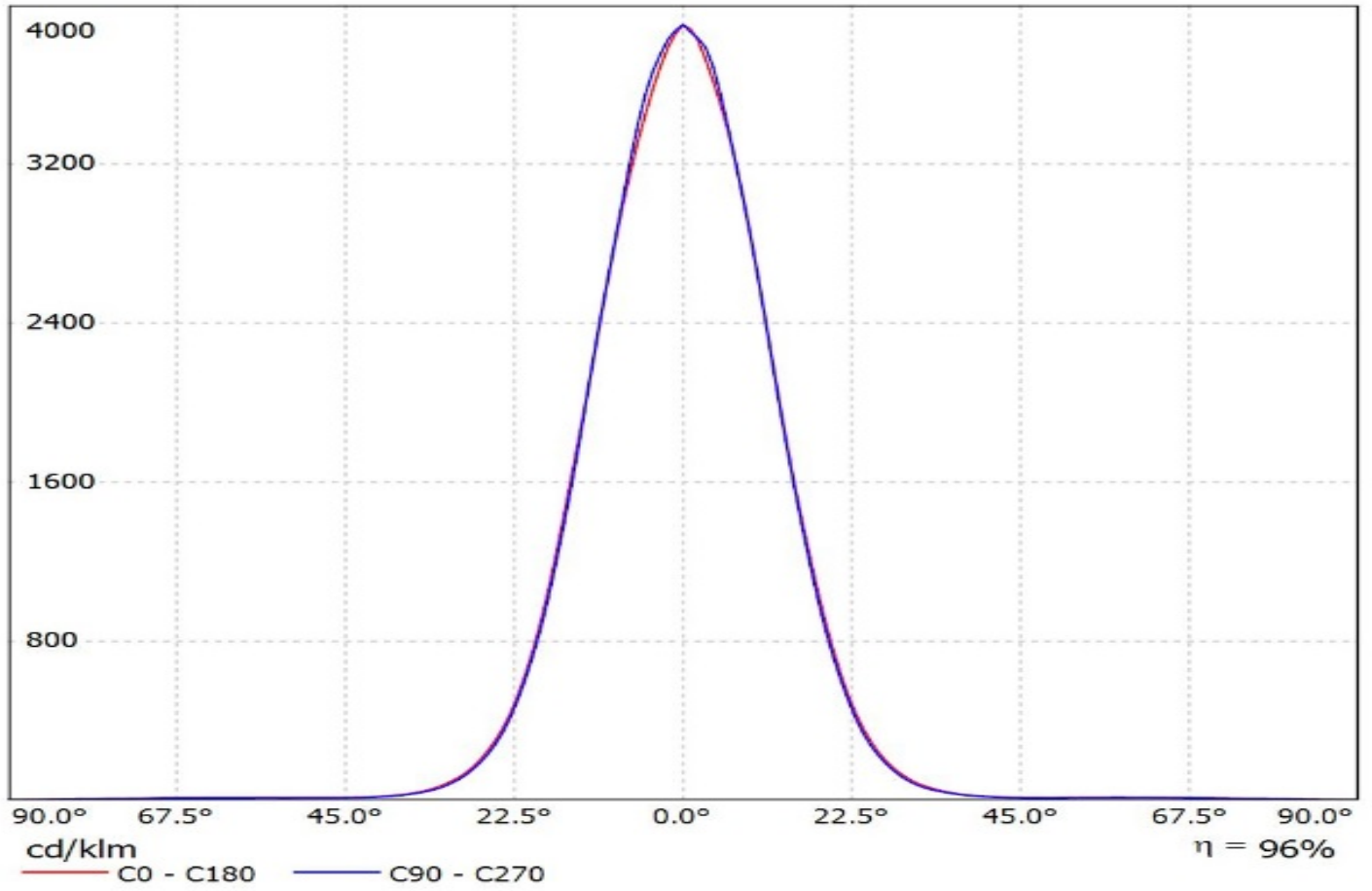
A

C11193_Tuija-3-M-XP C11193_Tuija-3-M-XP / LDC (Linear)

Luminaire: C11193_Tuija-3-M-XP C11193_Tuija-3-M-XP
Lamps: 1 x 3xCree XP-E 228lm 250mA

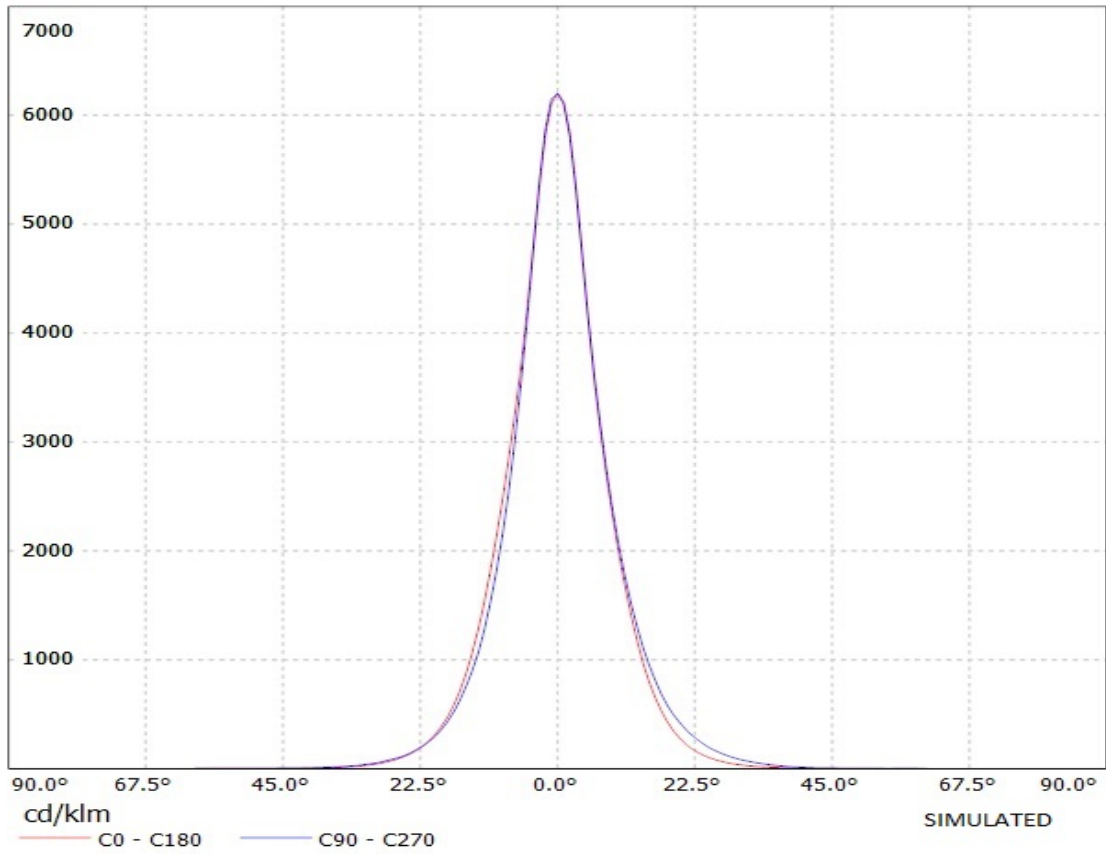


Luminaire: Ledil Oy C11193_TUIJA-3-M_(XP-G)_SIMULATED
Lamps: 1 x Cree XP-G

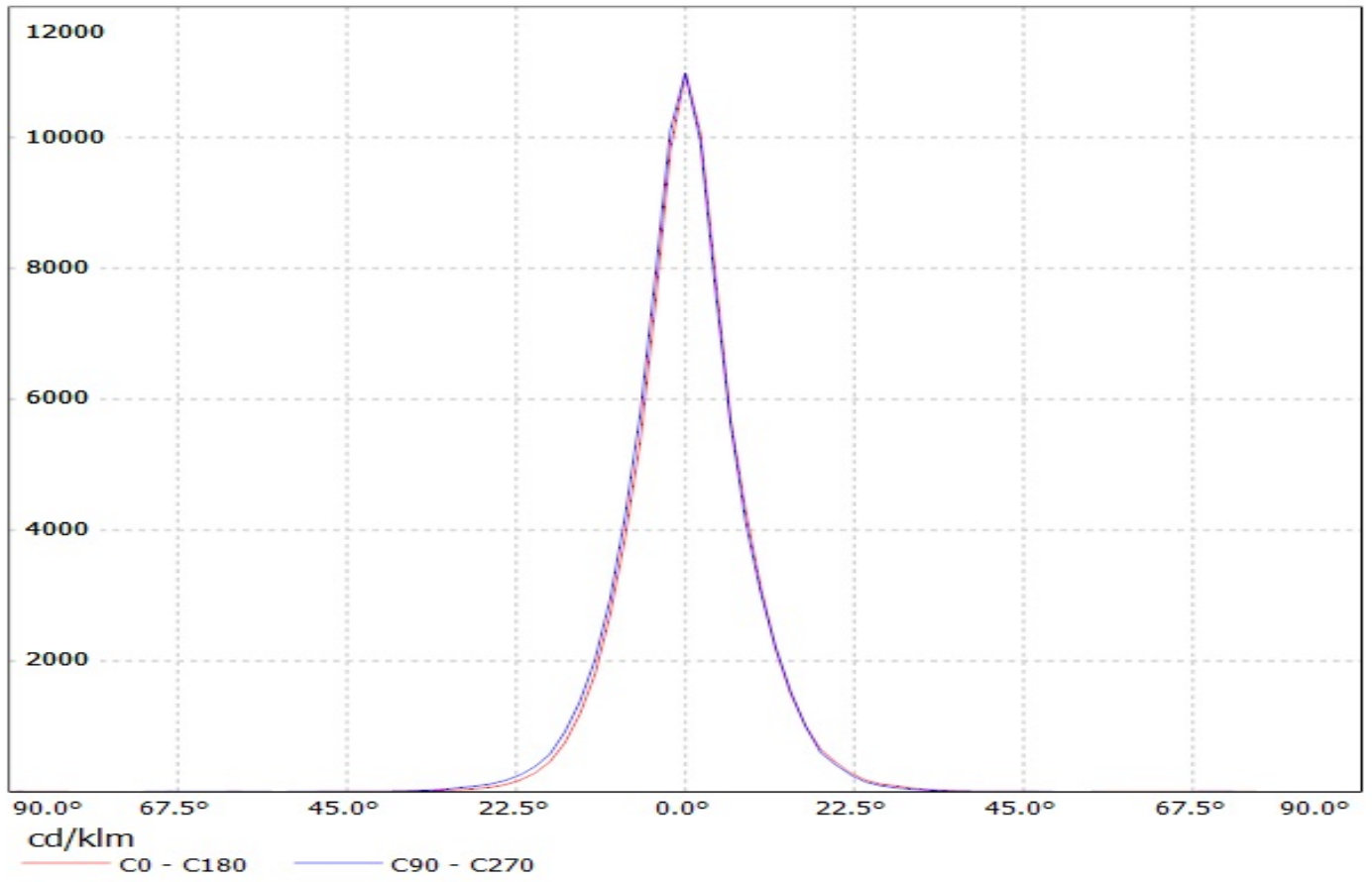


Ledil Oy C11193_Tuija-3-M-RE C11193_Tuija-3-M-RE / LDC (Linear)

Luminaire: Ledil Oy C11193_Tuija-3-M-RE C11193_Tuija-3-M-RE
Lamps: 1 x LED

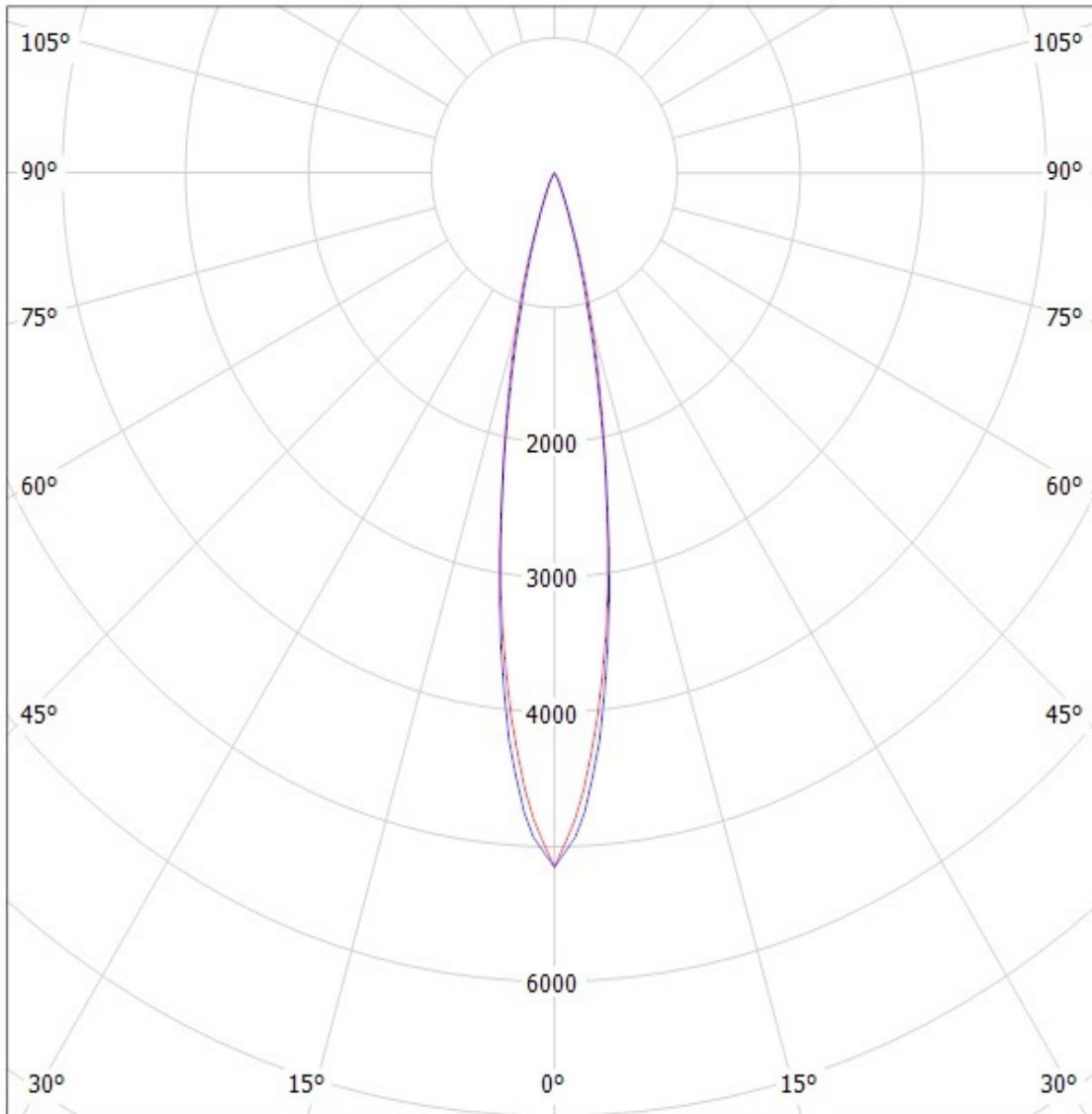


Luminaire: Ledil Oy C11193_TUJA-3-M (Seoul Z5 223lm @ 250mA) Efficiency=93%
Lamps: 1 x Seoul Z5 223lm @ 250mA



C11193_Tuija-3-M-XP C11193_Tuija-3-M-XP / LDC (Polar)

Luminaire: C11193_Tuija-3-M-XP C11193_Tuija-3-M-XP
Lamps: 1 x 3xCree XP-E 228lm 250mA



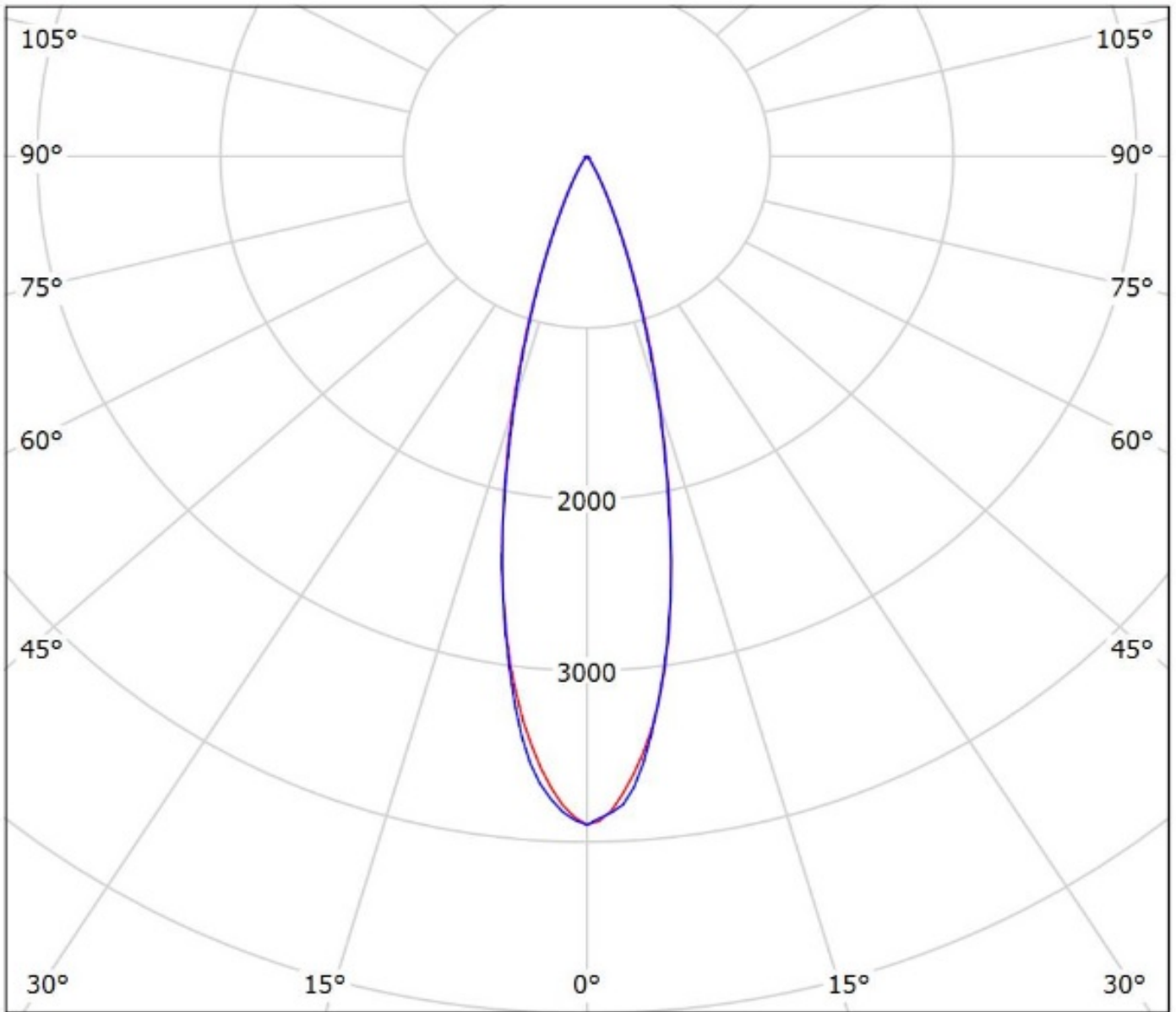
cd/klm

— C0 - C180

— C90 - C270

SIMULATED

Luminaire: Ledil Oy C11193_TUIJA-3-M_(XP-G)_SIMULATED
Lamps: 1 x Cree XP-G



cd/klm

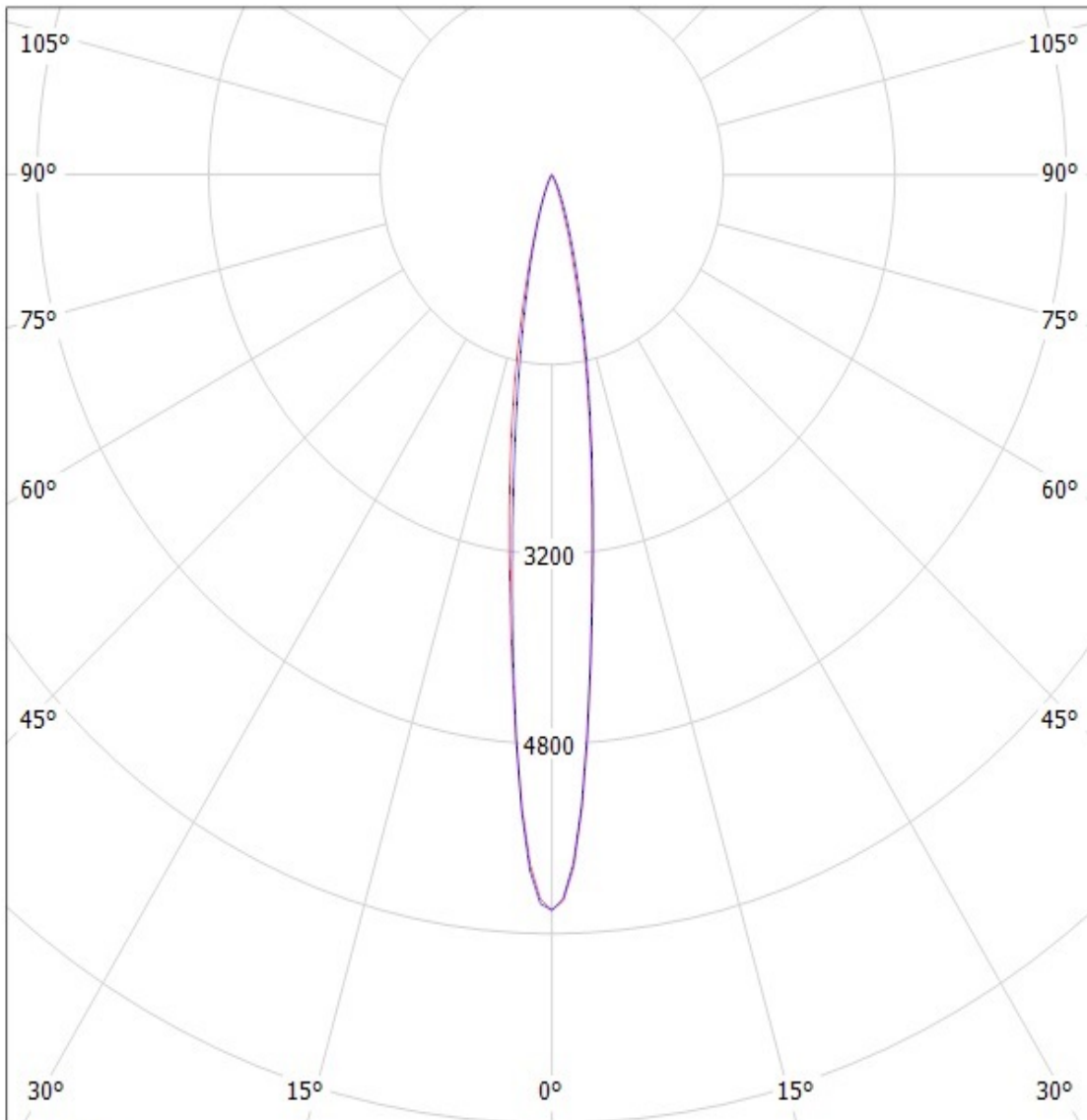
— C0 - C180 — C90 - C270

η = 96%

Ledil Oy C11193_Tuija-3-M-RE C11193_Tuija-3-M-RE / LDC (Polar)

Luminaire: Ledil Oy C11193_Tuija-3-M-RE C11193_Tuija-3-M-RE

Lamps: 1 x LED



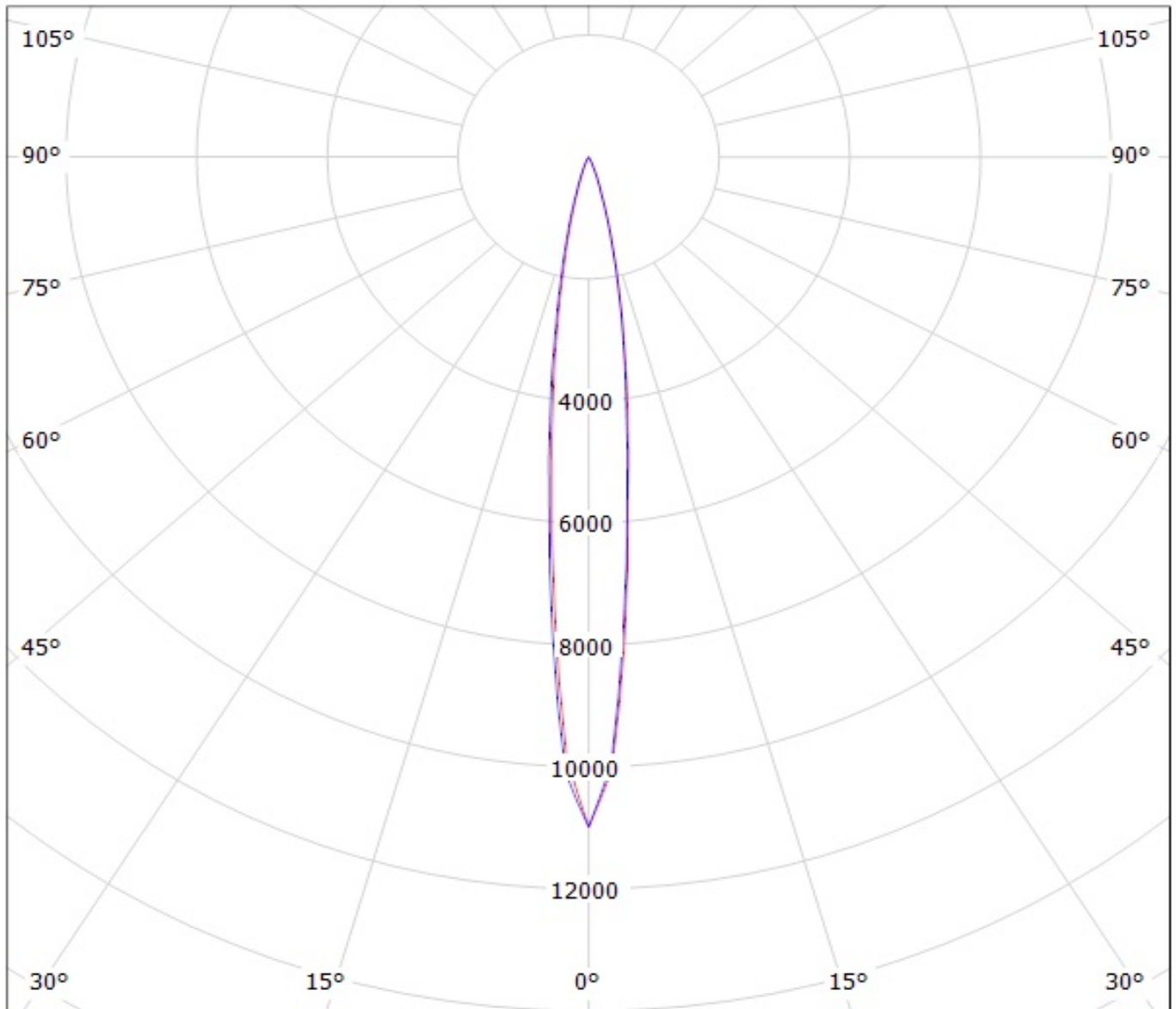
cd/klm

— C0 - C180

— C90 - C270

SIMULATED

Luminaire: Ledil Oy C11193_TUIJA-3-M (Seoul Z5 223lm @ 250mA) Efficiency=93%
Lamps: 1 x Seoul Z5 223lm @ 250mA



cd/klm
— C0 - C180 — C90 - C270

NOTE: The typical divergence will be changed by different color, chip size and chip position tolerance. The typical total divergence is the full angle measured where the luminous intensity is half of the peak value.