

Dept	
Qty	
DC	1
ED	1
IE	1
ISO	1
PD	1
R&D	1
SD	1
QA	1
QC	1
QE	1

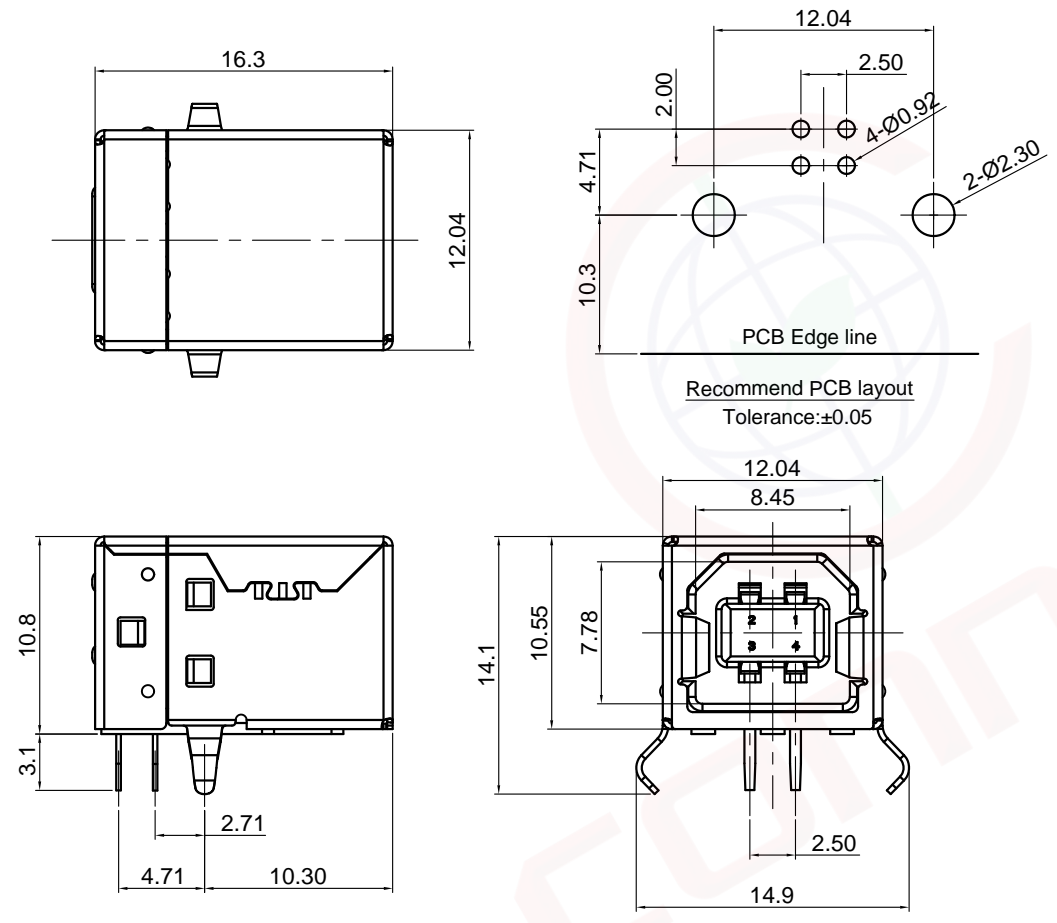
The information provided herein is from CONNELY Electronic Co., Ltd. and is confidential. Any disclosure to a party other than the recipient is prohibited. The intellectual properties and its rights contained herein, including but not limited to, trademarks, patents, copyrights, trade secrets, and technical know-how, are owned exclusively by CONNELY or its affiliates. Unauthorized use or modification is strictly prohibited. CONNELY may enforce its intellectual property rights at its own discretion, failure or delays to exercise such rights does not constitute a waiver of such rights.

REV.	DESCRIPTION	DRAWN	CHECKED	APPROVED
A	NEW RELEASE	LJH 05/10/05'		LJC 05/10/05'
C	DRAWING UPDATE	JLZ 04/06/21'		

- NOTES:
- Specifications:
    - 1.0 Contact resistance: 30mΩ(max.) Initial for VBUS and GND Contacts. 50mΩ(max.) Initial for all other contacts.
    - 1.1 Insulator resistance: 100MΩ min. at 100V DC.
    - 1.2 Current rating: 1.8A for VBUS pin and its corresponding GND pin. 0.25A (MIN.) for all other contacts
    - 1.3 Voltage rating: 30V AC/DC.
    - 1.4 Dielectric strength: AC 100V for 1 Minute.
    - 1.5 Operating temperature: -40°C ~ +85°C.
  - Materials:
    - 2.0 Housing: Thermoplastic (UL 94-0).
    - 2.1 Contact: Copper alloy
    - 2.2 Shell: Copper alloy or steel.
  - PRODUCT NUMBER CODE:
 

DS1099 - X X X - X

    - Material of shell: Fe: Steel, N/A Code: Copper alloy
    - Contact plating: 0: Selective Gold Flash, 03: Selective Gold 3u", 30: Selective Gold 30u"
    - Shell plating: N: Nickel, 6: Tin
    - Color of housing: W: White, B: Black



(Series Image-Reference Only)

GENERAL TOLERANCE	ANGLE TOLERANCE	PROJECTION		TITLE	USB 3.0 B TYPE FEMALE R/A DIP TYPE
X. ±0.60	X. ±5°	UNITS	mm	SHEET	DS1099 SERIES
.X ±0.38	.X ±3°	SHEET SIZE	A4	SERIES	DS1099 SERIES
.XX ±0.25	.XX ±2°	<b>晨翔电子有限公司</b> <b>CONNELY ELECTRONIC CO. LTD</b>			
DRAWING TYPE	CUSTOMER				
SCALE	1:1				
DRAWING NO.	C-DS1099-XXX-X-C				