

Data sheet

Commercial Art.No.: 73.310.0453.0

Male insert MIN STS 4 2,5 25 AG

Male insert revos MiNI, 4-poles, rated current: 10A, rated voltage: 400V, with silver-plated contacts



Commercial Art.No.	73.310.0453.0
EAN	4015573594128
Order Unit	10

Certificates / Approvals



Technical data

General

Model	Pin insert
Inflammability class of insulation material acc. with UL94	V0
Color	Grey
Mating cycles	100
Pollution degree	3
Modular version	No
Operating temperature range min.	-40 °C
Operating temperature range max.	120 °C

Connection Data

Connection type	screw connection
Number of poles	4
Plus switching contacts	0
Number of pole for rated current 2	0
Number of pole for rated current 3	0
Total number of poles (without ground contact)	4
With wire protection	No
Min. conductor diameter rigid (solid/stranded)	0.5 mm ²
Max. conductor diameter rigid (solid/stranded)	2.5 mm ²
Protective contact	yes

Technical Data UL/CSA

Rated voltage according to UL/CSA	600 V
-----------------------------------	-------

Rated current according UL	10 A
Rated current according CSA	10 A
Min. conductor cross section flexible wire	0.5 mm ²
Max. conductor cross section flexible wire	2.5 mm ²
Conductor cross section flexible AWG wire	22-12 AWG

Model

With housing	No
--------------	----

Contacts

Contact material	Copper alloy
Surface	Silver-plated
Contact resistance	≤ 4 mOhm
Wire strip length	4 mm

Screws head design/recomm. Torque

Mounting screws	M3/0.5-0.7 Nm Slot
Clamping screws	M3/0.5-0.7 Nm Slot
Ground conductor screws	M3/0.5-0.7 Nm Slot

Technical Data DIN EN 61984

Nominal voltage	400 V
Rated voltage face/ground	400 V
Nominal current	10 A
Rated impulse voltage	4 kV

Classification

ECLASS 11	
ECLASS 8.1	27440205
ETIM 7.0	EC000438
ETIM 6.0	EC000438
ETIM 5.0	EC000438
ETIM 4.0	EC000438
ETIM 3.0	EC000438

Product compliance

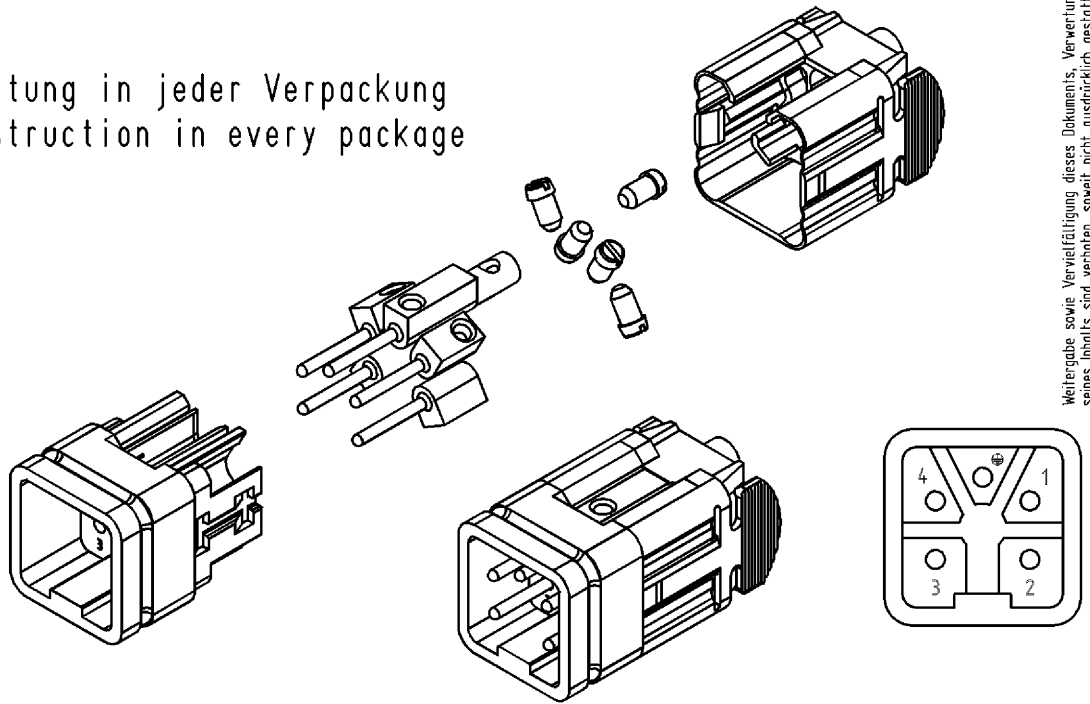
ROHS conformity status	Compliant
REACH-SVHC conformity status	Compliant

Fits with

Commercial Art.No.:	Article-type description:	Description:
76.350.0736.0	Hood MIN GOT GA 7 M20 25 Z0	Hood revos MINI made of zinc, ankled with cable gland M20 (IP54), low version
76.350.0736.1	Hood MIN GOT GA 7 M20 25 Z1	Hood revos MINI made of zinc, ankled with threaded hole M20, low version
76.352.0736.0	Hood MIN GOT GB 7 M20 25 Z0	Hood revos MINI made of zinc, straight with cable gland M20 (IP54), lowversion

76.352.0736.1	Hood MIN GOT GB 7 M20 25 Z1	Hood revos MINI made of zinc, straight with threaded hole M20, low version
76.362.0736.0	Hood MIN GOT GB7HM20 25 Z0	Hood revos MINI made of zinc, straight with cable gland M20 (IP54), high version
76.362.0736.1	Hood MIN GOT GB7HM20 25 Z0	Hood revos MINI made of zinc, straight with cable gland M20 (IP54), high version
76.362.0736.5	Hood MIN GOT GB7HM20 25 Z0	Hood revos MINI made of zinc, straight with cable gland M20 (IP54), high version
76.372.0736.0	Hood MIN GOT GC 7 M20 25 Z0	Hood revos MINI made of zinc, with EHV for cable connections with cable gland M20 (IP54), low version
76.372.0736.1	Hood MIN GOT GC 7 M20 25 Z1	Hood revos MINI made of zinc, with EHV for cable connections with threaded hole M20, low version
76.320.0729.0	Bottom MIN GUT GA 7 25 Z	Bottom-base revos MINI made of zinc, ankled, open, low version
76.321.0729.0	Bottom MIN GUT GB 7 25 Z	Bottom-base revos MINI made of zinc, ankled, open, low version
76.322.0736.0	Bottom MIN GUT GC 7 M20 25 Z0	Bottom-base revos MINI made of zinc, with EHV for cable connections with cable gland low version
76.322.0736.1	Bottom MIN GUT GC 7 M20 25 Z1	Bottom-base revos MINI made of zinc, with EHV for cable connections with threaded hole low version
76.350.0760.1	Hood MIN GOT GA 7 M20 25 P1	Hood revos MINI made of Plastik, ankled with threaded hole M20, low version
76.350.0760.5	Hood MIN GOT GA 7 M20 25 P5	Hood revos MINI made of Plastik, ankled with cable gland M20 (IP65), low version
76.352.0760.0	Hood MIN GOT GB 7 M20 25 P0	Hood revos MINI made of Plastik, straight with cable gland M20 (IP54), low version
76.352.0760.1	Hood MIN GOT GB 7 M20 25 P1	Hood revos MINI made of Plastik, straight with threaded hole M20, low version
76.352.0760.5	Hood MIN GOT GB 7 M20 25 P5	Hood revos MINI made of Plastik, straight with cable gland M20 (IP65), low version
76.372.0760.1	Hood MIN GOT GC 7 M20 25 P1	Hood revos MINI made of Plastik, with EHV for cable connections with threaded hole M20, low version
76.372.0760.5	Hood MIN GOT GC 7 M20 25 P5	Hood revos MINI made of Plastik, with EHV for cable connections with cable gland M20 (IP65), low version
76.320.0753.0	Bottom MIN GUT GA 7 25 P	Bottom-base revos MINI made of Plastik, ankled, open, low version
76.321.0753.0	Bottom MIN GUT GB 7 25 P	Bottom-base revos MINI made of Plastik, straight, open, low version
76.322.0760.5	Bottom MIN GUT GC 7 M20 25 P5	Bottom-base revos MINI made of Plastik, with EHV for cable connections with cable gland low version

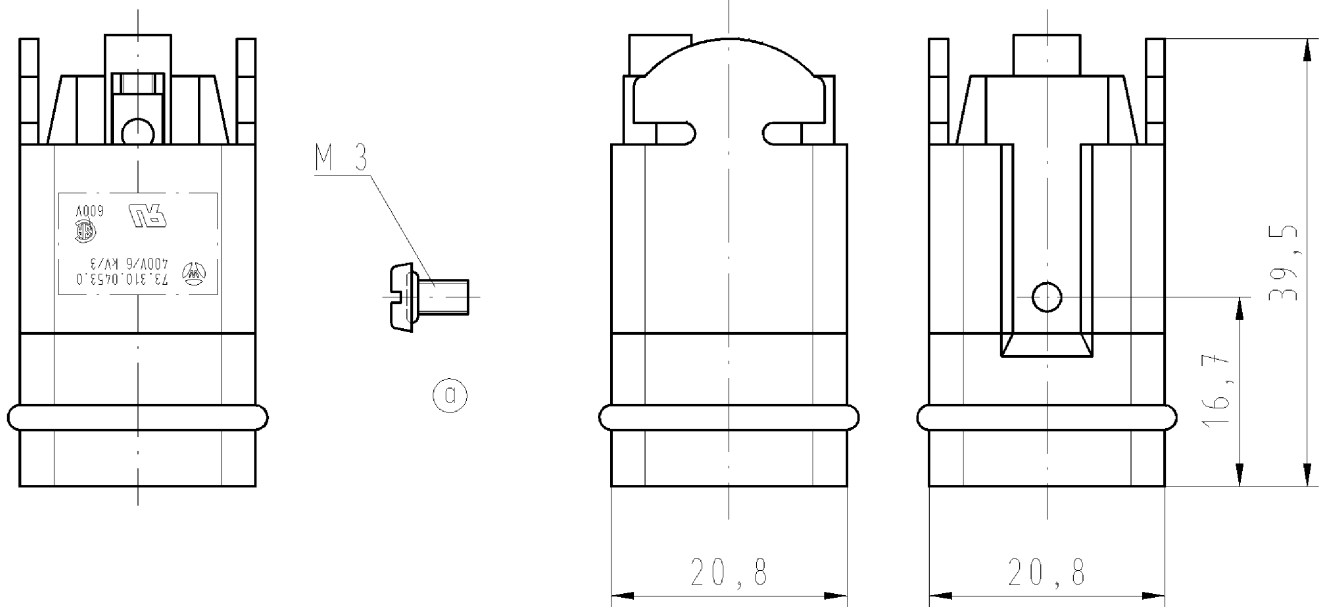
Montageanleitung in jeder Verpackung
 assembly instruction in every package



Weitergabe sowie Vervielfältigung dieses Dokuments, Verwertung und Mitteilung
 seines Inhalts sind verboten, soweit nicht ausdrücklich gestattet.
 The reproduction, distribution and utilization of this document as well as the
 communication of its contents to others without express authorization is prohibited.

Diese Maße werden bei Abnahme besonders geprüft
 Ausschließlich Prüfmaße

Mit ZE gekennzeichnete Maße sind nur für interne Zwecke gültig



mit Schraubanschluß
 with screw connection

Freitoleranz nach		CAD - Zeichnung, keine manuellen Änderungen			1. Verwendung: -		Bl.: 1 von 1		
	/	Maßstab	Werkstoff und Oberfläche:		2003	Tag	Name	Zeichnung Nr. 73.310.0453.0 01K a	Index a
	/				Entworfen	11.07.	Bauer F.		
	/				Geprüft	-	-		
	/	Vol.	mm ²	Ofl.	mm ²	Normgepr.	-	Ersatz für: -	
a	17.05.2006/	wieland Elektrische Verbindungen		Benennung STECKEREINSATZ 4-polig PLUG INSERT 4-pole					
Buchstabe	Datum / Blatt			Änderung					