

## Data sheet

Commercial Art.No.: 41.051.4053.1

Device connector RST08i5 S B1 M02H SW

RST08i5 Device connector, standard, straight, M16,6, number of poles 5, model female, connection type screw connection, rated voltage 250 V / 400 V, rated current 8 A, color of coding/ contact carrier black



Commercial Art.No.	41.051.4053.1
EAN	4049088555596
Order Unit	1

## Technical data

### General

Rated current	8 A
Rated voltage	250 V / 400 V
Pollution degree	3
Mechanical coding	yes
Rated impulse voltage	2.5 kV
Continuity resistor	0.55 mOhm
Lockable	self-locking (unlocking by hand)
Color of coding/ contact carrier	black
Marking of poles	1, 2/N, 3, 4, PE

### Connection Data

Connection cross section solid mm <sup>2</sup> max.	1 mm <sup>2</sup>
Connection cross section solid mm <sup>2</sup> min.	0.2 mm <sup>2</sup>
Connection cross section fine stranded mm <sup>2</sup> max.	1 mm <sup>2</sup>
Connection cross section fine stranded mm <sup>2</sup> min.	0.22 mm <sup>2</sup>
Terminations per pole	1
Wire strip length	6 mm

### Technical Data UL

Connection cross section solid AWG min.	24 AWG
Connection cross section solid AWG max.	16 AWG
Connection cross section stranded AWG min.	24 AWG

### Model

Model	female
-------	--------

Connection type	screw connection
Connecting thread metric	M16,6
Angle of plug	straight
Degree of protection (IP)	IP66/68 (3m;2h) /IP69
Thickness of housings (electrical device)	5 mm

**Material**

Housing material	Polyamide
Halogen free	yes
Contact material	CuZn
Fire load	0 kWh
Surface finish	Silver-plated

**Dimensions**

Length	24.4 mm
Width	20 mm
Height	20 mm

**Note**

Note	RST® terminals with screw clamping allow the connection of conductors without special preparation (without ferrules) according to EN 60999-1.; Positioning realised with flattened thread
------	---

**Classification**

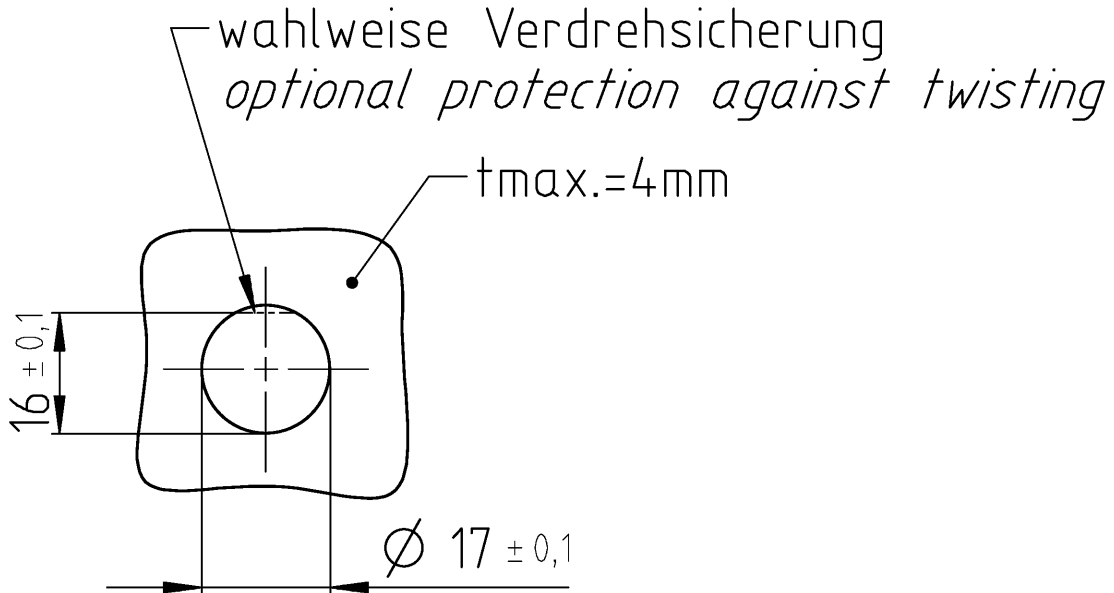
ECLASS 11	
ECLASS 8.1	27440602
ETIM 7.0	EC002566
ETIM 6.0	EC002566
ETIM 5.0	EC002566
ETIM 4.0	EC002566

**Product compliance**

ROHS conformity status	Compliant
REACH-SVHC conformity status	Compliant

A Weitergabe sowie Vervielfältigung dieses Dokuments, Verwertung und Mitteilung seines Inhalts sind verboten, soweit nicht ausdrücklich gestattet.  
The reproduction, distribution and utilization of this document as well as the communication of its contents to others without express authorization is prohibited.

B These dimensions will be especially checked at delivery  
Only inspection dimensions  
With JE marked dimensions are only valid for internal use



**Bitte beachten:**  
Gehäusematerial, Wandstärken, Lackierung und Entgratung können die Passgenauigkeit beeinflussen.

**Please note:**  
Panel material and thickness, deburring and coating thickness may influence the cut out dimension.

D Diese Maße werden bei Abnahme besonders geprüft  
Ausschließlich Prüfmaße  
Mit JE gekennzeichnete Maße sind nur für interne Zwecke gültig

Tolerierung Size ISO 14405 © / Tolerance system Size ISO 14405 ©.  
(This ISO-standard describes the envelope principle. According to the envelope principle the deviations of form and parallelism are limited by the size tolerances).

ja/yes  Stoffverbots- und Deklarationsliste nach WN 5020.010 ist einzuhalten.  
Conformity with Wieland document WN 5020.010 e (list of prohibited / declarable hazardous substances) to be declared!

Freitoleranz nach General tolerance CAD - Zeichnung, keine manuellen Änderungen CAD - drawing, no manual modifications allowed 1. Verwendung: First Use: Blatt: 1 von 1 Sheet: of 1

		Werkstoff / Material		Tag/Date	Name	Zeichnung Nr. / Drawing No.		Index	
				gezeichnet drawn	13.02.2020	Hollet	41.051.4053.1 14K		
				geprüft checked					
		Maßstab / Scale		Normgepr. Stand. check			Maße in mm / Dimensions are in mm		
		1:1		Ersatz für / Replacement for:					
		Vol. mm³		OfL./Srf. mm²					
				Type	Benennung/Title				
				RST	OEFFNUNGSMASSBILD				
				MICRO	opening dimension				
				4/5P					
Index	Datum / Blatt Date / Sheet		www.wieland-electric.com						
Änderung / Revision									