

## Data sheet

Commercial Art.No.: 4L.021.4043.9

Device connector RST08i3/2S 11 M02H BL

RST08i3/2 device connector M14 with longitudinal sealing, 2 pole, female, screw connection, application 250V/400V, 8A, coding color light blue



Commercial Art.No.	4L.021.4043.9
EAN	4049088482045
Order Unit	1

Certificates / Approvals



LR

RINA



## Technical data

### General

Rated current	8 A
Rated voltage	250 V / 400 V
Pollution degree	3
Rated impulse voltage	2.5 kV
Lockable	self-locking (unlocking by hand)
Color of coding/ contact carrier	light blue
Marking of poles	1, 2/N

### Connection Data

Connection cross section solid mm <sup>2</sup> max.	1 mm <sup>2</sup>
Connection cross section solid mm <sup>2</sup> min.	0.2 mm <sup>2</sup>
Connection cross section fine stranded mm <sup>2</sup> max.	1 mm <sup>2</sup>
Connection cross section fine stranded mm <sup>2</sup> min.	0.22 mm <sup>2</sup>
Terminations per pole	1
Wire strip length	6 mm

### Model

Model	female
Connection type	screw connection
Connecting thread metric	M14
Angle of plug	straight
Degree of protection (IP)	IP66/68 (3m;2h) /IP69
Longitudinal sealed	yes
Thickness of housings (electrical device) 2	0.5 mm
Thickness of housings (electrical device)	4 mm

### Material

Housing material	Polyamide
------------------	-----------

halogen free	yes
Contact material	CuZn
Fire load	0 kWh
Insulation components continuous temperature	100 °C
Surface finish	Silver-plated
UL classification housing	UL-V0

#### Dimensions

Length	21.9 mm
Width	19.2 mm
Height	19.2 mm

#### Note

Note	RST® terminals with screw clamping allow the connection of conductors without special preparation (without ferrules) according to EN 60999-1.; Positioning realised with flattened thread; Use only one connector with contact sealing - either male or female connector.
------	---

#### Classification

ECLASS 11	
ECLASS 8.1	27440602
ETIM 7.0	EC002566
ETIM 6.0	EC002566
ETIM 5.0	EC002566
ETIM 4.0	EC002566

#### Product compliance

ROHS conformity status	Compliant/Exempted
ROHS exceptions	III-6(c)
REACH-SVHC conformity status	Duty-To-Declare
REACH-SVHC substances	Lead
REACH-SVHC CAS numbers	7439-92-1

#### Accessories

Commercial Art.No.:	Article-type description:	Description:
06.563.5053.1	Cover for female connector SW	RST08i3/2 cover piece, for covering unused female connectors, with fastening belt, color black
06.502.6100.0	allen key RST MICRO SW 0,9	Pin wrench for screw terminals RST® MICRO
06.502.6300.0	screwdriver RST MICRO SW 0,9	Hexagonal wrench for screw terminals RST® MICRO

#### Fits with

Commercial Art.No.:	Article-type description:	Description:
41.022.3043.9	Connector RST08i3/2S S1 ZR1SH BL	RST08i3/2 connector, 2 pole, male, screw connection, application 250V/400V, 8A, for cable diameters 4-7mm, coding color light blue, color of housing black

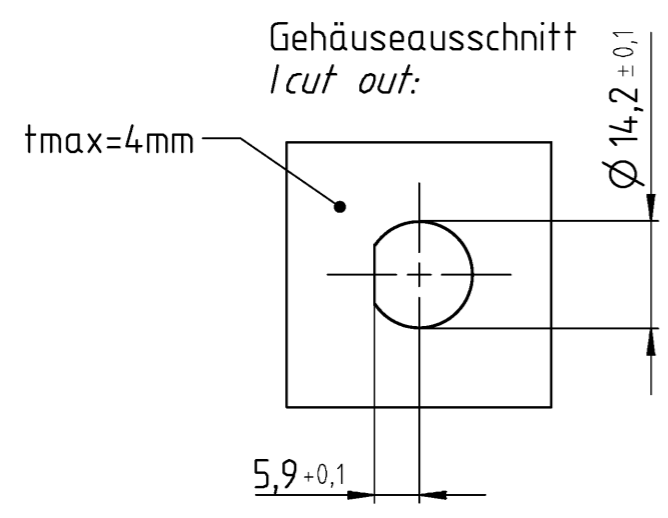
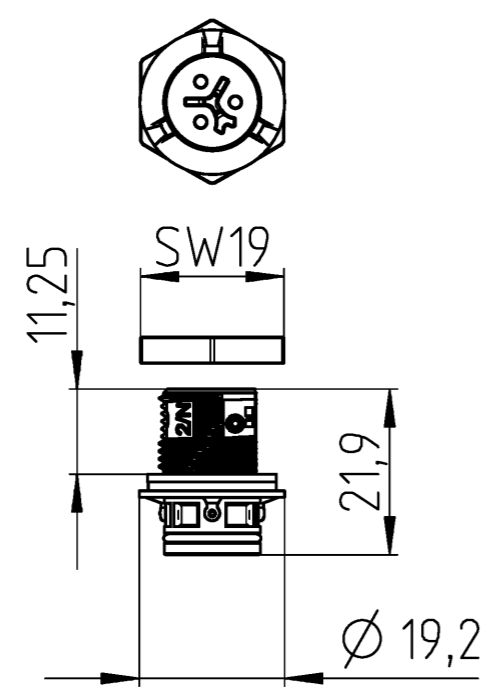
A  
 Weitergabe sowie Vervielfältigung dieses Dokuments, Verwertung und Mitteilung seines Inhalts sind verboten, soweit nicht ausdrücklich gestattet. Die Reproduktion, Distribution und Nutzung dieses Dokumentes, sowie die Kommunikation mit anderen ohne ausdrückliche Genehmigung ist untersagt.

B  
 These dimensions will be especially checked at delivery  
 Only inspection dimensions  
 With /E marked dimensions are only valid for internal use

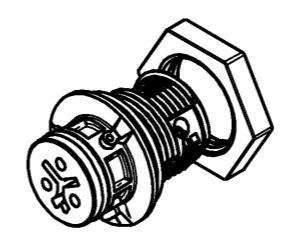
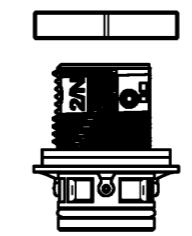
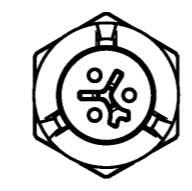
C  
 Diese Maße werden bei Abnahme besonders geprüft  
 Ausschließlich Prüfmaße  
 Mit /E gekennzeichnete Maße sind nur für interne Zwecke gültig

F  
 a 12.03.2020 / Datum / Blatt Date / Sheet

Gezeichnete Ausführung / drawn version  
 41.031.4053.1



Auslieferungszustand / delivery condition



Teile-Nr. / part-no.	Type	Kodierung / coding
41.031.4053.1	RST08i3 S B1 M02H SW	C1
4L.031.4053.1	RST08i3 S 11 M02H SW	
41.031.4043.9	RST08i3 S B1 M02H BL	C2
4L.031.4043.9	RST08i3 S 11 M02H BL	
41.031.4041.4	RST08i3 S B1 M02HL SG	C3
4L.031.4041.4	RST08i3 S 11 M02HL SG	
41.031.4051.8	RST08i3 S B1 M02HL KG	C4
4L.031.4051.8	RST08i3 S 11 M02HL KG	
41.021.4043.1	RST08i3/2S B1 M02H SW	C1
4L.021.4043.1	RST08i3/2S 11 M02H SW	
41.021.4043.9	RST08i3/2S B1 M02H BL	C2
4L.021.4043.9	RST08i3/2S 11 M02H BL	
41.021.4041.4	RST08i3/2S B1 M02HL SG	C3
4L.021.4041.4	RST08i3/2S 11 M02HL SG	
41.021.4041.8	RST08i3/2S B1 M02HL KG	C4
4L.021.4041.8	RST08i3/2S 11 M02HL KG	

● = Pol nicht bestückt / pole not mounted

Weitere Daten siehe KATALOG oder eKatalog / additional data see CATALOG or eCATALOG  
[www.wieland-electric.com](http://www.wieland-electric.com)  
[eshop.wieland-electric.com](http://eshop.wieland-electric.com)

Tolerierung Size ISO 14405 © / Tolerance system Size ISO 14405 © (This ISO-standard describes the envelope principle. According to the envelope principle the deviations of form and parallelism are limited by the size tolerances).		ja/yes <input checked="" type="checkbox"/> Stoffverbots- und Deklarationsliste nach WN 5020.010 ist einzuhalten. Conformity with Wieland document WN 5020.010 e (list of prohibited / declarable hazardous substances) to be declared!	
Freitoleranz nach General tolerance		CAD - Zeichnung, keine manuellen Änderungen CAD - drawing, no manual modifications allowed	1. Verwendung: First Use:
Blatt: 1 von 1 Sheet: 1 of 1		Zeichnung Nr. / Drawing No.	
a 12.03.2020 / Datum / Blatt Date / Sheet		41.031.4053.1 13K a	
Maße in mm / Dimensions are in mm		Maße in mm / Dimensions are in mm	
Vol. mm³ Dfl./Srf. mm²		Ersatz für / Replacement for:	
www.wieland-electric.com		Type	Benennung/Title
www.wieland-electric.com		RSTmicro	BUCHSENTEIL_GA female device connector
Änderung / Revision			