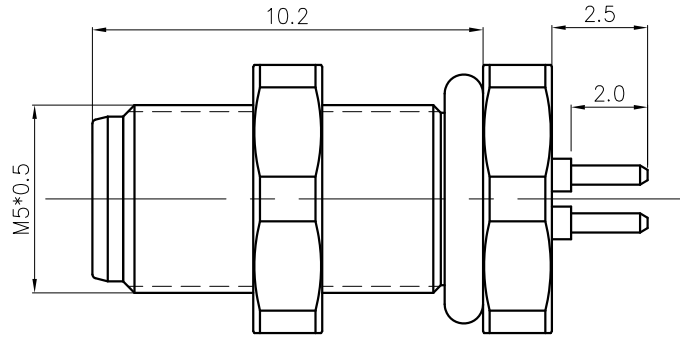
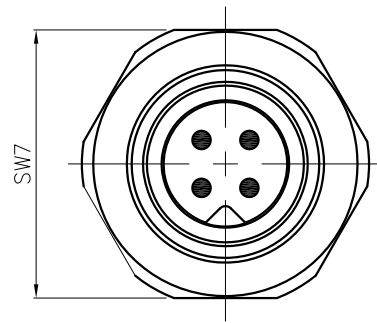


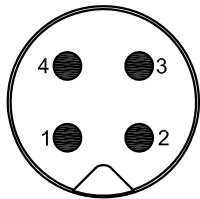
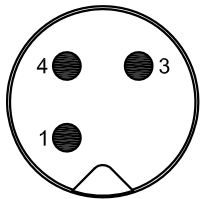
REVISION RECORD

REV	ECN	DESCRIPTION	DRFT	DATE



3pin A Coding

4pin A Coding



Pin Assignment Front View

Pin Assignment Front View

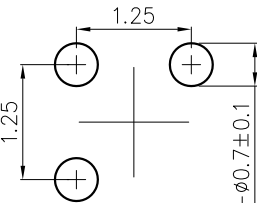
SP-M5A-XXP-MM-SF7001-00A(H)

Pin number: 03,04

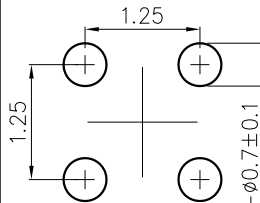
NOTES:

- Rated voltage/current : 60V / 1A
- Withstanding voltage : 800V
- Levels of protection: IP67
- Wire connection mode: soldering(PCB)
- Operating temperature: -40°C~+85°C
- For Panel Thickness Range : 2.0~4.0mm
- RoHS Compliance
- Tolerance :
 

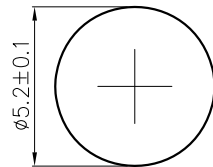
.X	±0.25mm
.XX	±0.1mm
Angles	±1°



PCB layout



PCB layout



Panel cut

DETACHED LISTS	PART NO.: SPM5AXXPMMSF700100AH		宁波高松电子有限公司 NINGBO DEGSON ELECTRICAL CO., LTD	
	APPD:	NAME: SP-M5A-XXP-MM-SF7001-00A(H)		
	CHKD:	TITLE: CUSTOMER DRAWING		
	DRFT: SQ 2019.05.11	REV: D0-1	SHEET: 1/1	
THIRD ANGLE PROJECTION		DRAWING NO.: XXXXXXXX-XX-CXX	SCALE: 1:1	DO NOT SCALE DRAWING