



■ Features :

- Universal AC input / Full range
- No load power consumption<0.3W
- ErP step2 compliant
- Meet EISA 2007 (Energy Independence and Security Act)
- 2 pole AC Inlet IEC320-C8
- Class II power (without earth pin)
- Protections: Short circuit / Overload / Over voltage
- Fully enclosed plastic case
- LED indicator for power on
- Approvals: UL / CUL / TUV / BSMI / CCC / CB / FCC / CE
- Pass LPS
- 2 years warranty

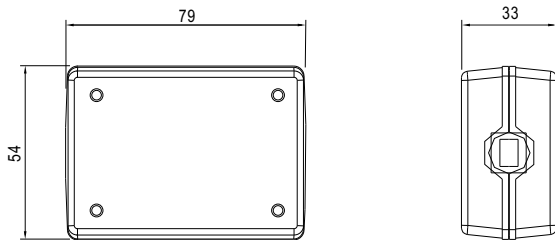
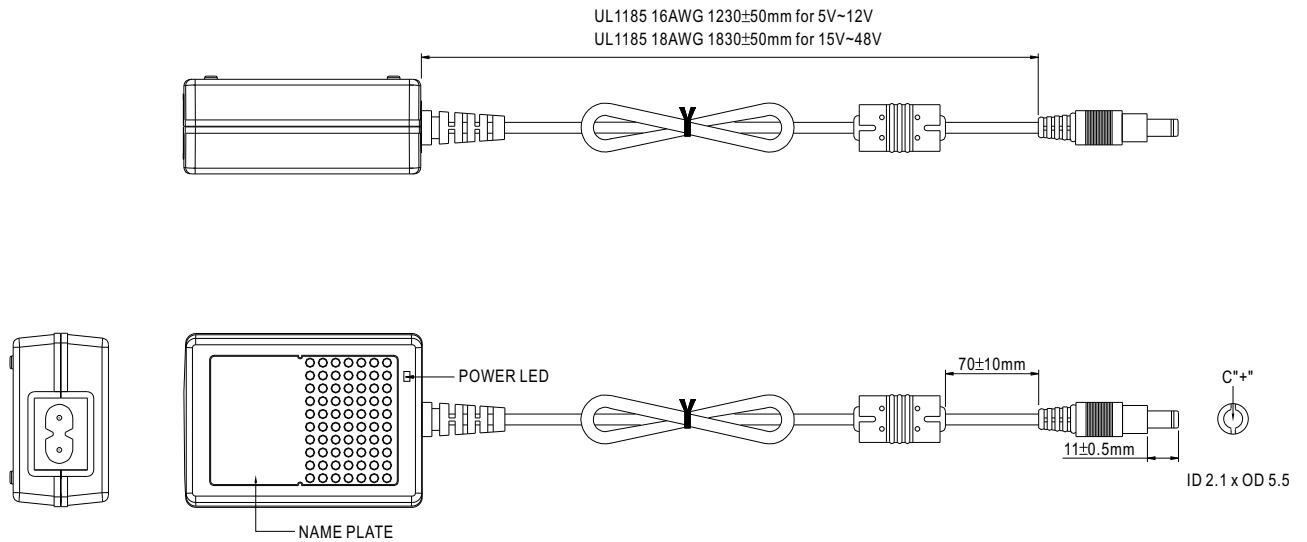


SPECIFICATION

| ORDER NO.                        | GS25B05-P1J  | GS25B07-P1J   | GS25B09-P1J | GS25B12-P1J | GS25B15-P1J | GS25B18-P1J | GS25B24-P1J | GS25B28-P1J | GS25B48-P1J |           |
|----------------------------------|--|---|-------------|-------------|-------------|-------------|-------------|-------------|-------------|-----------|
| OUTPUT                           | <b>SAFETY MODEL NO.</b>  | GS25B05   | GS25B07     | GS25B09     | GS25B12     | GS25B15     | GS25B18     | GS25B24     | GS25B28     | GS25B48   |
|                                  | <b>DC VOLTAGE</b> Note.2   | 5V  | 7.5V        | 9V          | 12V         | 15V         | 18V         | 24V         | 28V         | 48V       |
|                                  | <b>RATED CURRENT</b>   | 4.0A  | 2.93A       | 2.77A       | 2.08A       | 1.66A       | 1.38A       | 1.04A       | 0.89A       | 0.52A     |
|                                  | <b>CURRENT RANGE</b>   | 0 ~ 4.0A  | 0 ~ 2.93A   | 0 ~ 2.77A   | 0 ~ 2.08A   | 0 ~ 1.66A   | 0 ~ 1.38A   | 0 ~ 1.04A   | 0 ~ 0.89A   | 0 ~ 0.52A |
|                                  | <b>RATED POWER (max.)</b>  | 20W   | 22W         | 25W         | 25W         | 25W         | 25W         | 25W         | 25W         | 25W       |
|                                  | <b>RIPPLE &amp; NOISE (max.)</b> Note.3  | 50mVp-p   | 80mVp-p     | 80mVp-p     | 80mVp-p     | 100mVp-p    | 150mVp-p    | 180mVp-p    | 240mVp-p    | 240mVp-p  |
|                                  | <b>VOLTAGE TOLERANCE</b> Note.4  | ±5.0%   | ±5.0%       | ±5.0%       | ±3.0%       | ±3.0%       | ±3.0%       | ±2.0%       | ±2.0%       | ±2.0%     |
|                                  | <b>LINE REGULATION</b> Note.5  | ±1.0%   | ±1.0%       | ±1.0%       | ±1.0%       | ±1.0%       | ±1.0%       | ±1.0%       | ±1.0%       | ±1.0%     |
|                                  | <b>LOAD REGULATION</b> Note.6  | ±5.0%   | ±5.0%       | ±5.0%       | ±3.0%       | ±3.0%       | ±3.0%       | ±2.0%       | ±2.0%       | ±2.0%     |
| <b>SETUP, RISE, HOLD UP TIME</b> | 500ms, 20ms, 50ms/230VAC      500ms, 20ms, 15ms/115VAC at full load  |   |             |             |             |             |             |             |             |           |
| INPUT                            | <b>VOLTAGE RANGE</b>   | 90 ~ 264VAC    135 ~ 370VDC   |             |             |             |             |             |             |             |           |
|                                  | <b>FREQUENCY RANGE</b>   | 47 ~ 63Hz   |             |             |             |             |             |             |             |           |
|                                  | <b>EFFICIENCY (Typ.)</b>   | 78.5%   | 81.5%       | 82.5%       | 84.5%       | 84.5%       | 84.5%       | 85.5%       | 85.5%       | 87%       |
|                                  | <b>AC CURRENT</b>  | 0.7A/100VAC   |             |             |             |             |             |             |             |           |
|                                  | <b>INRUSH CURRENT (max.)</b>   | 45A/230VAC  |             |             |             |             |             |             |             |           |
| <b>LEAKAGE CURRENT(max.)</b>     | 0.25mA / 240VAC  |   |             |             |             |             |             |             |             |           |
| PROTECTION                       | <b>OVERLOAD</b>  | 110 ~ 150% rated output power<br>Protection type : Hiccup mode, recovers automatically after fault condition is removed |             |             |             |             |             |             |             |           |
|                                  | <b>OVER VOLTAGE</b>  | 105 ~ 135% rated output voltage<br>Protection type : Clamp by zener diode   |             |             |             |             |             |             |             |           |
| ENVIRONMENT                      | <b>WORKING TEMP.</b>   | 0 ~ +50°C (Refer to "Derating Curve")   |             |             |             |             |             |             |             |           |
|                                  | <b>WORKING HUMIDITY</b>  | 20% ~ 90% RH non-condensing   |             |             |             |             |             |             |             |           |
|                                  | <b>STORAGE TEMP., HUMIDITY</b>   | -20 ~ +85°C, 10 ~ 95% RH  |             |             |             |             |             |             |             |           |
|                                  | <b>TEMP. COEFFICIENT</b>   | ±0.03% / °C (0 ~ 50°C)  |             |             |             |             |             |             |             |           |
| <b>VIBRATION</b>                 | 10 ~ 500Hz, 2G 10min./1cycle, period for 60min. each along X, Y, Z axes  |   |             |             |             |             |             |             |             |           |
| SAFETY & EMC (Note. 7)           | <b>SAFETY STANDARDS</b>  | UL60950-1, CSA C22.2, TUV EN60950-1, BSMI CNS14336, CCC GB4943 approved   |             |             |             |             |             |             |             |           |
|                                  | <b>WITHSTAND VOLTAGE</b>   | I/P-O/P:4242VDC   |             |             |             |             |             |             |             |           |
|                                  | <b>ISOLATION RESISTANCE</b>  | I/P-O/P:100M Ohms / 500VDC / 25°C / 70% RH  |             |             |             |             |             |             |             |           |
|                                  | <b>EMC EMISSION</b>  | Compliance to EN55022, EN61000-3-2,3, FCC PART 15 / CISPR22 class B, CNS13438 class B, GB9254                           |             |             |             |             |             |             |             |           |
| <b>EMC IMMUNITY</b>              | Compliance to EN61000-4-2,3,4,5,6,8,11, light industry level, criteria A   |   |             |             |             |             |             |             |             |           |
| OTHERS                           | <b>MTBF</b>  | 500Khrs min. MIL-HDBK-217F(25°C)  |             |             |             |             |             |             |             |           |
|                                  | <b>DIMENSION</b>   | 79*54*33mm (L*W*H)  |             |             |             |             |             |             |             |           |
|                                  | <b>PACKING</b>   | 210g ; 60pcs / 13.5Kg / CARTON  |             |             |             |             |             |             |             |           |
| CONNECTOR                        | <b>PLUG</b>  | See page2   |             |             |             |             |             |             |             |           |
|                                  | <b>CABLE</b>   | See page2   |             |             |             |             |             |             |             |           |
| NOTE                             | 1.All parameters are specified at 230VAC input, rated load, 25°C 70% RH ambient.<br>2.DC voltage: The output voltage set at point measure by plug terminal & 50% load.<br>3.Ripple & noise are measured at 20MHz by using a 12" twisted pair terminated with a 0.1uf & 47uf capacitor.<br>4.Tolerance: includes set up tolerance, line regulation, load regulation.<br>5.Line regulation is measured from low line to high line at rated load.<br>6.Load regulation is measured from 20% to 100% rated load<br>7.The power supply is considered as an independent unit, but the final equipment still need to re-confirm that the whole system complies with the EMC directives. |   |             |             |             |             |             |             |             |           |

■ Mechanical Specification

Unit:mm

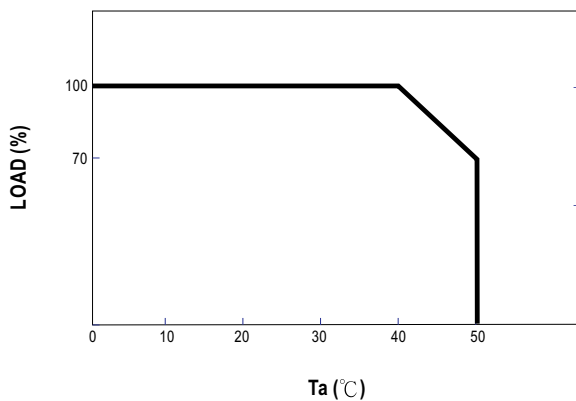


■ Plug Assignment

Standard plug: P1J

| P1J    |        |
|--------|--------|
| P/N    | OUTPUT |
| CENTER | +      |

■ Derating Curve



■ Static Characteristics

