

# FYL- 3004XXX1L

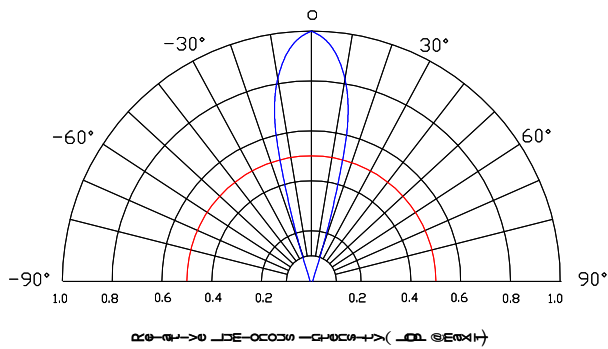
## Features:

- General purpose leads
- RoHs compliant.

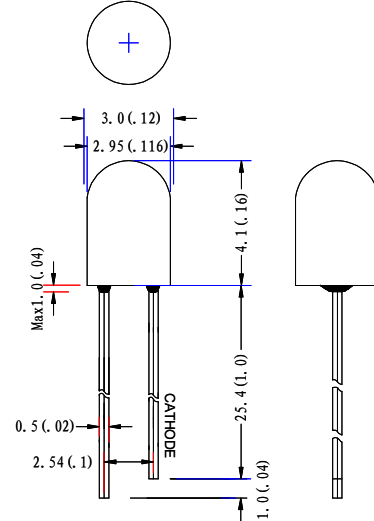
## Descriptions:

- Dice material: GaP/GaAsP/InGaN/AlGaInP.
- Device Outline:  $\Phi 3\text{mm}$  Round Without edge Type.

## Radiation pattern.



## Package configuration



- ◆ All dimensions are millimeters (inches)
- ◆ Tolerance is  $\pm 0.25\text{mm}(.010\text{'})$  unless otherwise noted.

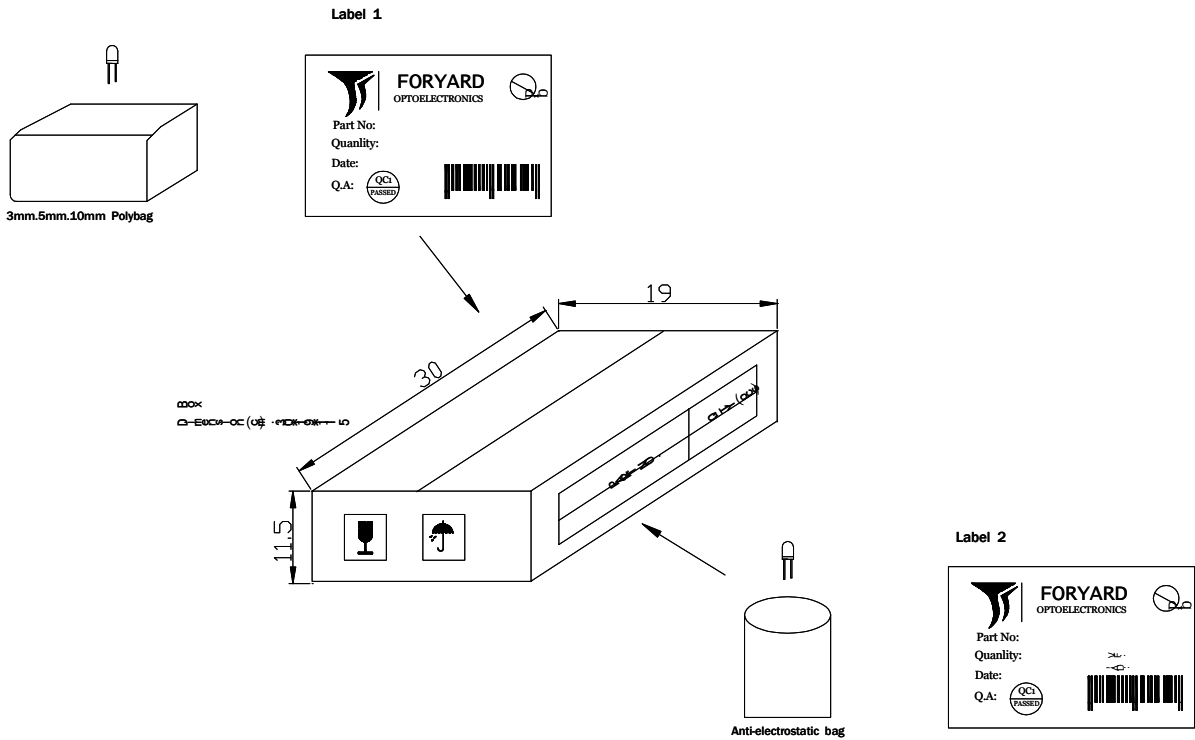
## Absolute maximum ratings( $T_a=25^\circ\text{C}$ )

Parameter	MAX.	Unit
Continuous Forward Current	20	mA
Derating Linear From $50^\circ\text{C}$	0.4	mA/ $^\circ\text{C}$
Reverse Voltage	5	V
Operating Temperature Range	<b><math>-30^\circ\text{C}</math> to <math>+80^\circ\text{C}</math></b>	
Storage Temperature Range	<b><math>-40^\circ\text{C}</math> to <math>+100^\circ\text{C}</math></b>	
Lead Soldering Temperature[4mm(.157") From Body]	<b>260<math>^\circ\text{C}</math> for 5 Seconds</b>	

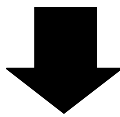
**Optical Characteristics at TA = 25° C**

Part Number	Lens Color	Wave length (nm)	Intensity (mcd)	Angle <sup>2 θ</sup> 1/2
FYL-3004HD1L	Red Diffused	700	15	50
FYL-3004SRC1L	Water Clear	660	80	30
FYL-3004ED1L	Red Diffused	625	50	50
FYL-3004AD1L	Amber Diffused	610	45	50
FYL-3004YD1L	Yellow Diffused	588	45	50
FYL-3004GT1L	Green Transparent	568	65	30
FYL-3004LRC1L	Water Clear	660	1000	30
FYL-3004SURC1L	Water Clear	630	2300	30
FYL-3004NURC1L	Water Clear	630	2800	30
FYL-3004LURC1L	Water Clear	630	4000	30
FYL-3004SUAC1L	Water Clear	610	1500	30
FYL-3004SUYC1L	Water Clear	588	2000	30
FYL-3004SUGC1L	Water Clear	568	1500	30
FYL-3004PGC1L	Water Clear	520	6500	30
FYL-3004BGC1L	Water Clear	505	6000	30
FYL-3004UBC1L	Water Clear	470	2500	30
FYL-3004VC1L	Water Clear	410	90(mW)	30
FYL-3004UWC1L	Water Clear	X:0.29 Y:0.30 / 9500k	4500	30
FYL-3004UWC1L-UWW	Water Clear	X:0.40 Y:0.39 / 3500k	4500	30

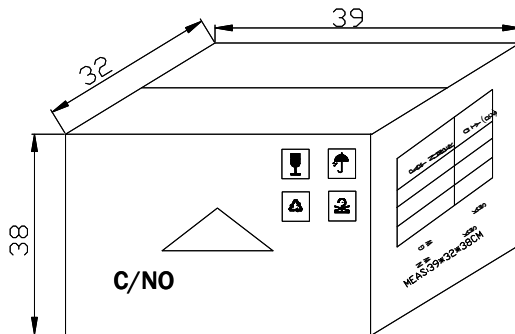
# LAMP PACKING.



DEVICE	QTY/polybag(pcs)	Polybag/box A	Fig
5mm(T-1 3/4)	1000	8 bags	Label 1
3mm(T-1)	1000	10 bags	Label 1
10mm(T-1)	250	8 bags	Label 1
Blue/Green/White	500pcs	8 bags	Label 2



**CARTON**  
Dimension(cm):39\*32\*38



**6 Boxes/Carton**  
**5mm:48,000pcs**  
**3mm:60,000pcs**  
**10mm:12,000pcs**  
**Blue/Pure Green/bluish Green**  
**/White:24,000pcs**