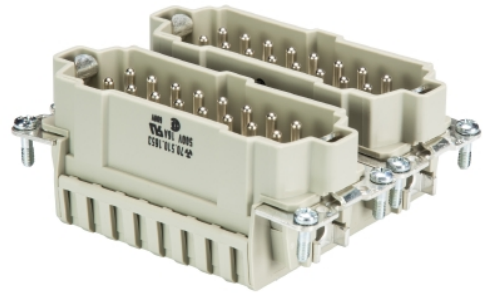


## Data sheet

Commercial Art.No.: 70.510.3253.0

Male insert BAS STF 32 2,5 50

Male insert revos basic, 32-poles, rated current: 16A, rated voltage: 500V, with tin-plated contacts



Commercial Art.No.	70.510.3253.0
EAN	4015573374928
Order Unit	5

Certificates / Approvals



## Technical data

### General

Model	Pin insert
Inflammability class of insulation material acc. with UL94	V2
Color	Grey
Mating cycles	500
Pollution degree	3
Modular version	No
Operating temperature range min.	-40 °C
Operating temperature range max.	120 °C

### Connection Data

Connection type	spring clamp connection
Number of poles	32
Plus switching contacts	0
Number of pole for rated current 2	0
Number of pole for rated current 3	0
Total number of poles (without ground contact)	32
With wire protection	yes
Min. conductor diameter rigid (solid/stranded)	0.5 mm <sup>2</sup>
Max. conductor diameter rigid (solid/stranded)	2.5 mm <sup>2</sup>
Protective contact	yes

### Technical Data UL/CSA

Rated voltage according to UL/CSA	600 V
Rated current according UL	16 A
Rated current according CSA	16 A
Min. conductor cross section flexible wire	0.14 mm <sup>2</sup>

Max. conductor cross section flexible wire	2.5 mm <sup>2</sup>
Conductor cross section flexible AWG wire	26-12 AWG

#### Model

With housing	No
--------------	----

#### Contacts

Contact material	Copper alloy
Surface	Silver-plated
Contact resistance	≤ 3 mOhm
Wire strip length	7 mm

#### Screws head design/recomm. Torque

Mounting screws	H1/0.5-0.7 Nm
Ground conductor screws	H2/1.2-1.6 Nm

#### Technical Data DIN EN 61984

Nominal voltage	500 V
Rated voltage face/ground	500 V
Nominal current	16 A
Rated impulse voltage	6 kV

#### Classification

ECLASS 11	
ECLASS 8.1	27440205
ETIM 7.0	EC000438
ETIM 6.0	EC000438
ETIM 5.0	EC000438
ETIM 4.0	EC000438
ETIM 3.0	EC000438

#### Product compliance

ROHS conformity status	Compliant/Exempted
ROHS exceptions	III-6(c)
REACH-SVHC conformity status	Duty-To-Declare
REACH-SVHC substances	Lead
REACH-SVHC CAS numbers	7439-92-1

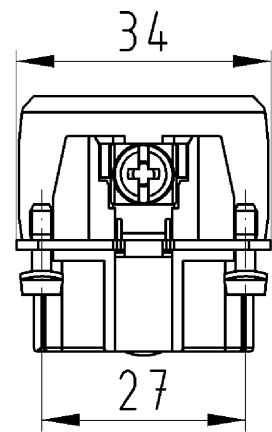
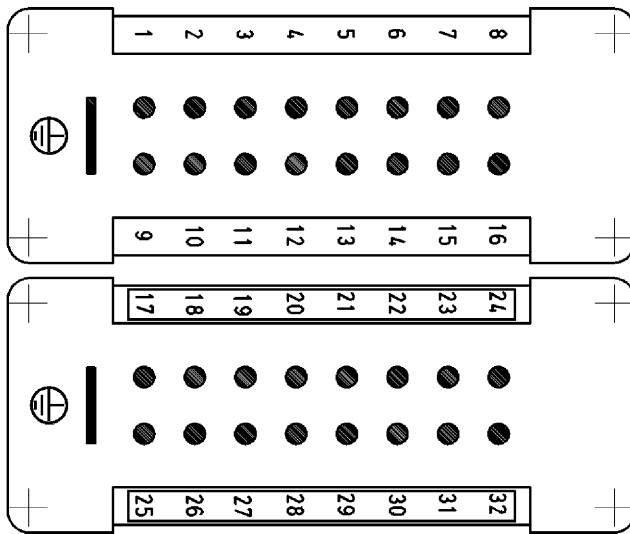
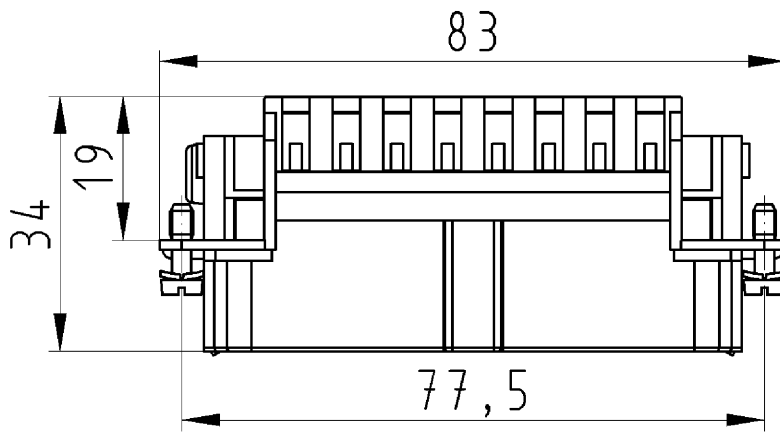
#### Accessories

Commercial Art.No.:	Article-type description:	Description:
06.502.4000.0	screwdriver DIN 5264 A 0,6 x 3,5	Screw driver according to DIN 5264 A, blade: 0.6x3.5 mm, long and straight version

#### Fits with

Commercial Art.No.:	Article-type description:	Description:

70.350.3235.0	Hood BAS GOT GA 32 M32 50 A0	Hood revos basic made of aluminum, for double locking lever or. screw cap with cable gland M32 on the right side (IP54), low version, 32-poles
70.350.3235.1	Hood BAS GOT GA 32 M32 50 A1	Hood revos basic made of aluminum, for double locking lever or. screw cap with threaded hole M32 on the right side, low version, 32-poles
70.350.3235.2	Hood BAS GOT GA 32 M32 50 A2	Hood revos basic made of aluminum, for double locking lever or. screw cap with nozzle M32 on the right side, low version, 32-poles
70.350.3235.3	Hood BAS GOT GA 32 M32 A3	Hood revos basic made of aluminum, for double locking lever or. screw cap with trumpet gland M32 on the right side (IP54), low version, 32-poles
70.352.3235.0	Hood BAS GOT GC 32 M32 50 A0	Hood revos basic made of aluminum, for double locking lever or. screw cap with cable gland M32 on the top (IP54), low version, 32-poles
70.352.3235.1	Hood BAS GOT GC 32 M32 50 A1	Hood revos basic made of aluminum, for double locking lever or. screw cap with threaded hole M32 on the top, low version, 32-poles
70.352.3235.2	Hood BAS GOT GC 32 M32 50 A2	Hood revos basic made of aluminum, for double locking lever or. screw cap with nozzle M32 on the top, low version, 32-poles
70.352.3235.3	Hood BAS GOT GC 32 M32 A3	Hood revos basic made of aluminum, for double locking lever or. screw cap with trumpet gland M32 on the top (IP54), low version, 32-poles
70.353.3235.1	Hood BAS GOT GA 32 M40 50 A1	Hood revos basic made of aluminum, for double locking lever or. screw cap with threaded hole M40 on the right side, low version, 32-poles
70.353.3235.2	Hood BAS GOT GA 32 M40 50 A2	Hood revos basic made of aluminum, for double locking lever or. screw cap with nozzle M40 on the right side, low version, 32-poles
70.354.3235.1	Hood BAS GOT GC 32 M40 50 A1	Hood revos basic made of aluminum, for double locking lever or. screw cap with threaded hole M40 on the top, low version, 32-poles
70.354.3235.2	Hood BAS GOT GC 32 M40 50 A2	Hood revos basic made of aluminum, for double locking lever or. screw cap with nozzle M40 on the top, low version, 32-poles
70.320.3228.0	Bottom BAS GUT GA 32 50 A	Bottom-base revos basic made of aluminum, with double locking lever or. screw cap, low version, 32-poles
70.700.3253.0	Female insert BAS BUC 32 50	Female insert revos basic, 32-poles, rated current: 16A, rated voltage:500V, with tin-plated contacts
70.300.3253.0	Female insert BAS BUS 32 2,5 50	Female insert revos basic, 32-poles, rated current: 16A, rated voltage:500V, with tin-plated contacts
70.500.3253.0	Female insert BAS BUF 32 2,5 50	Female insert revos basic, 32-poles, rated current: 16A, rated voltage:500V, with tin-plated contacts



Weitergabe sowie Vervielfältigung dieses Dokuments, Verwertung und Mitteilung seines Inhalts sind verboten, soweit nicht ausdrücklich gestattet. Die Reproduktion, Distribution und Utilization of this document as well as the communication of its contents to others without express authorization is prohibited.

Zeichnungsnummer  
70.510.3253.010W  
Steckereinsatz

Steckereinsatz  
70.510.3253.0

07.11.2007  
Hoffmann Angelika  
M 1:1