

Data sheet

Commercial Art.No.: 25.358.3553.0

PCB pin header 8213 S / 5 WF OB

PCB pin header, connection method depends on used socket part , 5 poles, pitch: 5.08 mm, type of packing: carton, color: grey



Commercial Art.No.	25.358.3553.0
EAN	4015573195325
Order Unit	50

Certificates / Approvals



Technical data

General

Modular spacing	5.08 mm
Soldering process	Wave soldering
Packaging	Carton
Number of poles	5
Number of levels	1
Marking	No
Fastening	Flange
Mating direction towards (circuit) board	180°

Technical data

Rated current	12 A
Overvoltage Category I	1000 V
Overvoltage Category II	400 V
Overvoltage Category III	250 V
Rated impulse voltage	4 kV

Technical Data UL/CSA

Voltage UL	300 V
Current field wiring	15 A
Current factory wiring	15 A
Voltage CSA	300 V
Current CSA	15 A

Other

Type of insulation material	Thermoplastic
Color	Grey
Height	8.4 mm

Length	35.56 mm
Depth	12 mm
Material contact base	CuZn
Material contact surface	Sn

Classification

ECLASS 11	
ECLASS 8.1	27440402
ETIM 7.0	EC002637
ETIM 6.0	EC002637
ETIM 5.0	EC002637
ETIM 4.0	EC002637

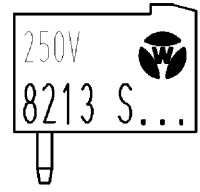
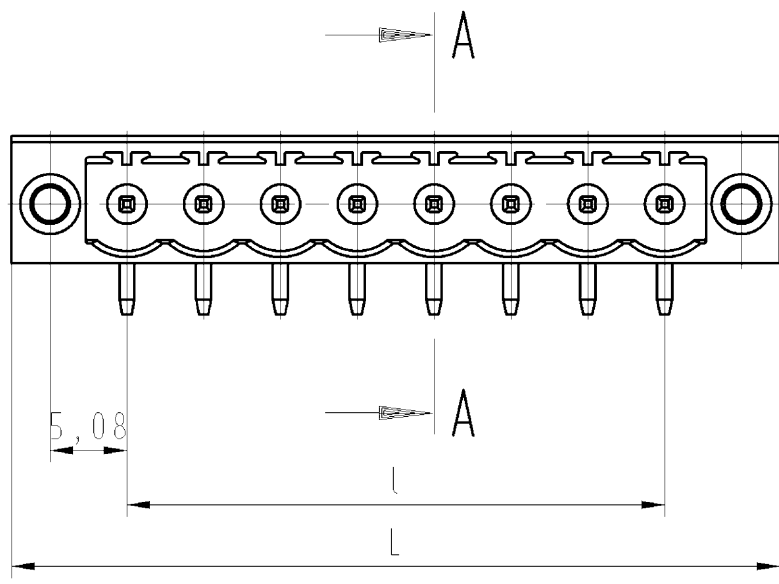
Product compliance

ROHS conformity status	Compliant/Exempted
ROHS exceptions	III-6(c)
REACH-SVHC conformity status	Duty-To-Declare
REACH-SVHC substances	Lead
REACH-SVHC CAS numbers	7439-92-1

Fits with

Commercial Art.No.:	Article-type description:	Description:
25.245.0553.0	PCB connector 8213 B / 5 TOP F OB	PCB female connector with front/top screw connection, 5 poles, max. cross section: 2.5 mm ² , pitch: 5.08 mm, type of packing: carton, color: grey
25.245.3553.0	PCB connector 8213 B / 5 TOP F	PCB female connector with front/top screw connection, 5 poles, printed version, max. cross section: 2.5 mm ² , pitch: 5.08 mm, type of packing: carton, color: grey
25.323.3553.0	PCB connector 8213 B / 5 F OB	PCB female connector with screw connection with rising cage clamp system, 5 poles, max. cross section: 2.5 mm ² , pitch: 5.08 mm, type of packing: carton, color: grey
25.323.0553.0	PCB connector 8213 B / 5 F	PCB female connector with screw connection with rising cage clamp system, 5 poles, printed version, max. cross section: 2.5 mm ² , pitch: 5.08 mm, type of packing: carton, color: grey
25.344.3553.0	PCB connector 8213 B / 5 VR F OB	PCB female connector with screw connection with rising cage clamp system, 5 poles, max. cross section: 2.5 mm ² , pitch: 5.08 mm, type of packing: carton, color: grey
25.344.0553.0	PCB connector 8213 B / 5 VR F	PCB female connector with screw connection with rising cage clamp system, 5 poles, printed version, max. cross section: 2.5 mm ² , pitch: 5.08 mm, type of packing: carton, color: grey
25.349.3553.0	PCB connector 8213 B / 5 VL F OB	PCB female connector with screw connection with rising cage clamp system, 5 poles, max. cross section: 2.5 mm ² , pitch: 5.08 mm, type of packing: carton, color: grey
25.349.0553.0	PCB connector 8213 B / 5 VL F	PCB female connector with screw connection with rising cage clamp system, 5 poles, printed version, max. cross section: 2.5 mm ² , pitch: 5.08 mm, type of packing: carton, color: grey
25.841.3553.0	PCB connector 8213 BFK / 5 TOP F OB	PCB female connector with tension spring connection, 5 poles, max. cross section: 2.5 mm ² , pitch: 5.08 mm, type of packing: carton, color: grey
25.841.0553.0	PCB connector 8213 BFK / 5 TOP F	PCB female connector with tension spring connection, 5 poles, printed version, max. cross section: 2.5 mm ² , pitch: 5.08 mm, type of packing: carton, color: grey

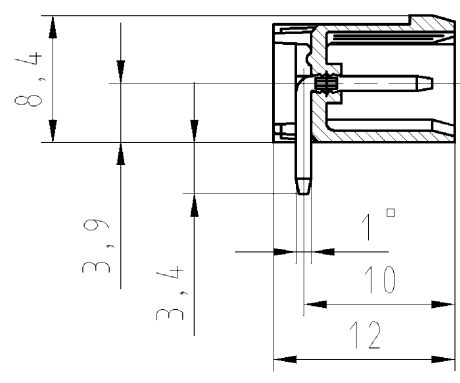
These dimensions will be especially checked at delivery
 Only inspection dimensions
 With /E marked dimensions are only valid for internal use



Weitergabe sowie Vervielfältigung dieses Dokuments, Verwertung und Mitteilung seines Inhalts sind verboten, soweit nicht ausdrücklich gestattet. Die Reproduktion, Distribution und Utilization of this document as well as the communication of its contents to others without express authorization is prohibited.

Diese Maße werden bei Abnahme besonders geprüft
 Ausschließlich Prüfmaße
 Mit /E gekennzeichnete Maße sind nur für interne Zwecke gültig

Schnitt A-A
 section A-A



gezeichnete Ausführung: 8-polig
 drawn version: 8-poles

Farbe / colour	.F
grau / grey	.0
schwarz/black	.1
grün / green	.7

Art.-Nr. part number	Pol-Z pole	L	l	Typ type	Art.-Nr. part number	Pol-Z pole	L	l	Typ type
25.358.3253.F	2	20,32	5,08	8213 S/ 2 WF OB	25.358.4353.F	13	76,20	60,96	8213 S/ 13 WF OB
25.358.3353.F	3	25,40	10,16	8213 S/ 3 WF OB	25.358.4453.F	14	81,28	66,04	8213 S/ 14 WF OB
25.358.3453.F	4	30,48	15,24	8213 S/ 4 WF OB	25.358.4553.F	15	86,36	71,12	8213 S/ 15 WF OB
25.358.3553.F	5	35,56	20,32	8213 S/ 5 WF OB	25.358.4653.F	16	91,44	76,20	8213 S/ 16 WF OB
25.358.3653.F	6	40,64	25,40	8213 S/ 6 WF OB	25.358.4753.F	17	96,52	81,28	8213 S/ 17 WF OB
25.358.3753.F	7	45,72	30,48	8213 S/ 7 WF OB	25.358.4853.F	18	101,60	86,36	8213 S/ 18 WF OB
25.358.3853.F	8	50,80	35,56	8213 S/ 8 WF OB	25.358.4953.F	19	106,68	91,44	8213 S/ 19 WF OB
25.358.3953.F	9	55,88	40,64	8213 S/ 9 WF OB	25.358.5053.F	20	111,76	96,52	8213 S/ 20 WF OB
25.358.4053.F	10	60,96	45,72	8213 S/ 10 WF OB	25.358.5153.F	21	116,84	101,60	8213 S/ 21 WF OB
25.358.4153.F	11	66,04	50,80	8213 S/ 11 WF OB	25.358.5253.F	22	121,92	106,68	8213 S/ 22 WF OB
25.358.4253.F	12	71,12	55,88	8213 S/ 12 WF OB					

Tolerierung nach DIN 7167/Tolerance system acc. to DIN 7167.
 (This DIN-standard describes the envelope principle. According to the envelope principle the deviations of form and parallelism are limited by the size tolerances).

ja/yes Stoffverbots- und Deklarationsliste nach UU-TOM-05/03 ist einzuhalten.
 Conformity with Wieland document UU-TOM-05/03 (list of prohibited / declarable hazardous substances) to be declared!

Freitoleranz nach DIN ISO 2768 - m

CAD - Zeichnung, keine manuellen Änderungen
 CAD - drawing, no manual modifications allowed

1.Verwendung: -
 First Use:

Blatt: 1 von 1
 Sheet: of 1

			Werkstoff/Material	2011	Tag/Date	Name	Zeichnung Nr./Drawing No.	Index
				gezeichnet drawn	21.11.	Schmitt J.		
		Maßstab/Scale 2:1	Normgepr. Stand. check	geprüft checked	-	-	Maße in mm/Dimensions are in mm	
				Vol.	mm ³	Offt./Surf.	mm ²	Ersatz für/Replacement for: -
			wieland	Type	Benennung/Title			
				Elektrische Verbindungen	Typ 8213 S/... WF OB	LP_STIFTLISTE Rastermaß/pitch 5,08 PCB header		
Index	Datum / Blatt Date / Sheet							
Änderung/Revision								

253583253001K_2 CADW2035 Schnitt 2011-11-22T10:25:26 1:000