

## DETAILS

<b>Product Number</b>	C11415_STRADA-T-DN
<b>Family</b>	Strada-T
<b>Type</b>	Lens
<b>Color</b>	clear
<b>Diameter</b>	19,8 x 15,5 mm
<b>Height</b>	8,75 mm
<b>Style</b>	rectang
<b>Optic Material</b>	PMMA
<b>Holder Material</b>	
<b>Fastening</b>	screw, glue, pin
<b>Status</b>	production ready
<b>ROHS Compliant</b>	Yes
<b>Date Updated</b>	25/04/2014

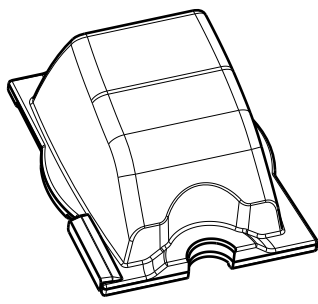


## OPTICAL PROPERTIES

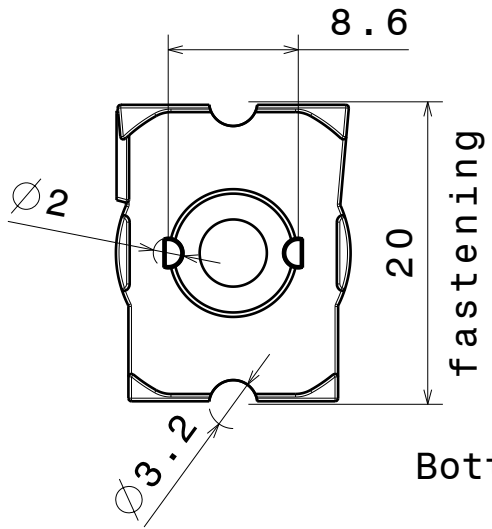
LED	Viewing Angle	Light Beam	Efficiency	cd/lm	Connector
XP-E	Asymmetric deg	Streetligh...	92 %	-	-
XP-G	Asymmetric deg	Streetligh...	92 %	-	-
LUXEON Rebel	Asymmetric deg	Streetligh...	92 %	-	-
LUXEON Rebel ES	Asymmetric deg	Streetligh...	92 %	-	-
LUXEON A	Asymmetric deg	Streetligh...	92 %	-	-
NCSxx19A	Asymmetric deg	Streetligh...	92 %	-	-
NVSxx19A	Asymmetric deg	Streetligh...	92 %	-	-
Oslon SSL 80	Asymmetric deg	Streetligh...	92 %	-	-
Oslon SSL 150	Asymmetric deg	Streetligh...	92 %	-	-
Oslon Square PC	Asymmetric deg	Streetligh...	93 %	-	-
Z5	Asymmetric deg	Streetligh...	92 %	-	-
Double Dome (GM2BB)	Asymmetric deg	Streetligh...	92 %	-	-

D C B A

4

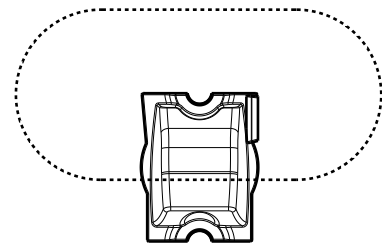


Isometric view

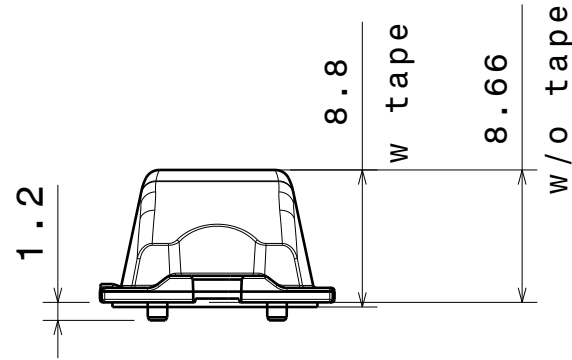


Bottom view

3

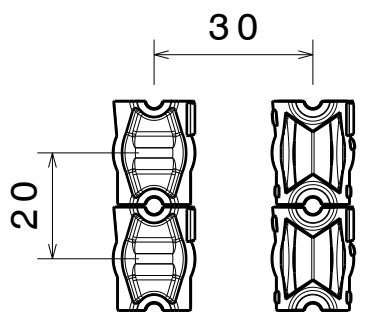


Beam direction

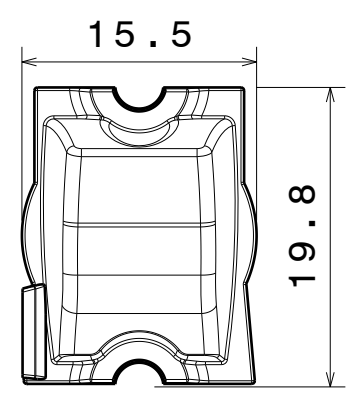


Front view

2



Strada lens arrangement recommendation




Top view

MATERIALS  
 Lens: PMMA  
 Tape(optional): PU Foam

Optical interface details are confidential and detail in this area may not reflect actual shape

1

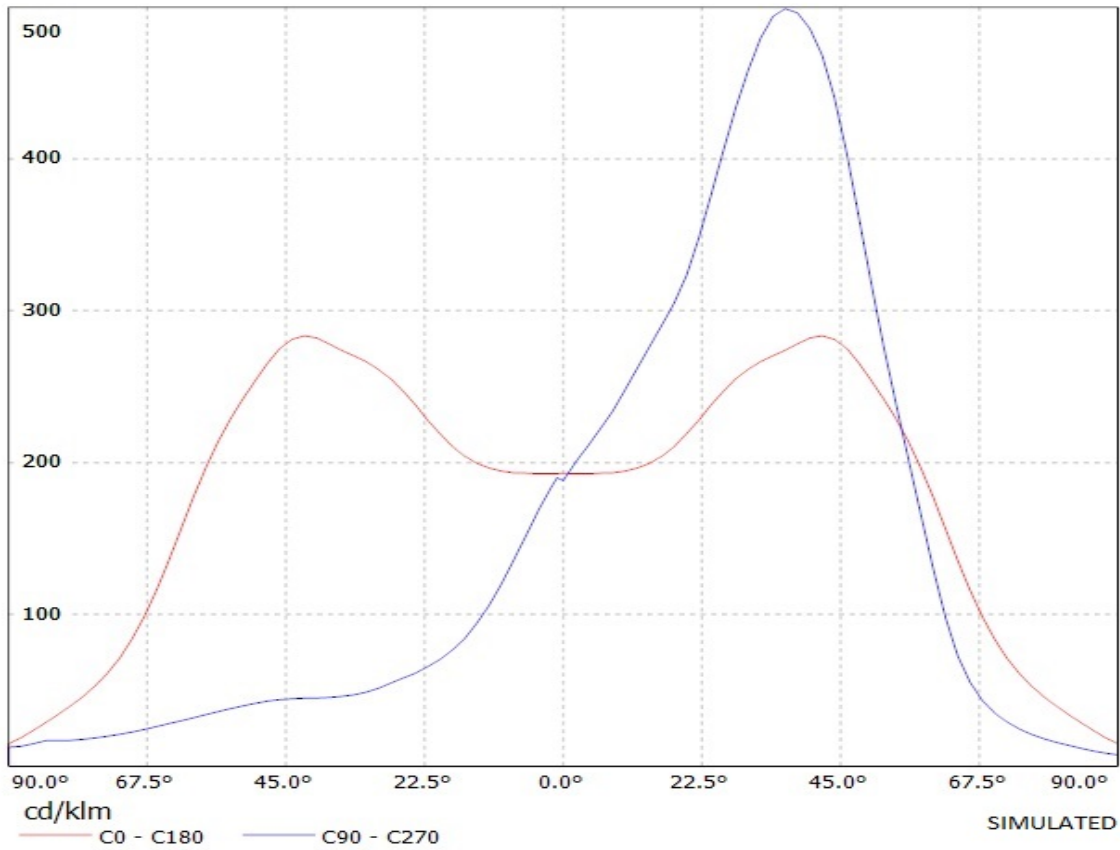
1

This drawing is our property. It can't be reproduced or communicated without our written agreement.				Ledil Oy Salorankatu 10 FIN-24100 SALO Finland	
DRAWING TITLE					
DRAWN BY ah		DATE 26.9.2012		Datasheet Strada-T-DN Lens	
CHECKED BY sn		DATE 26.9.2012		REV 2	
DESIGNED BY hh		DATE 14.05.2010		SCALE 2:1 WEIGHT (g)	
				SHEET 1/1	

D A

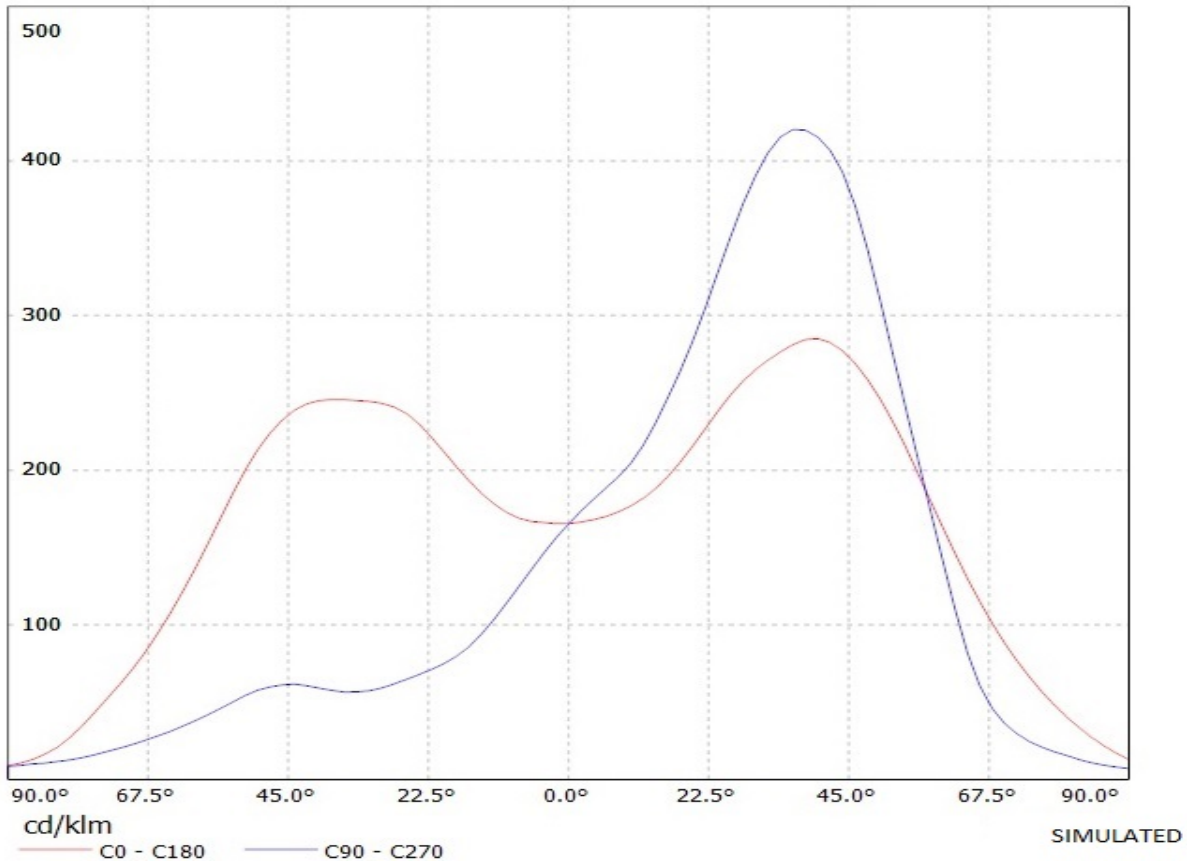
# Ledil Oy C11415\_Strada-T-DN-XP C11415\_Strada-T-DN-XP / LDC (Linear)

Luminaire: Ledil Oy C11415\_Strada-T-DN-XP C11415\_Strada-T-DN-XP  
Lamps: 1 x Cree XP-E (White)



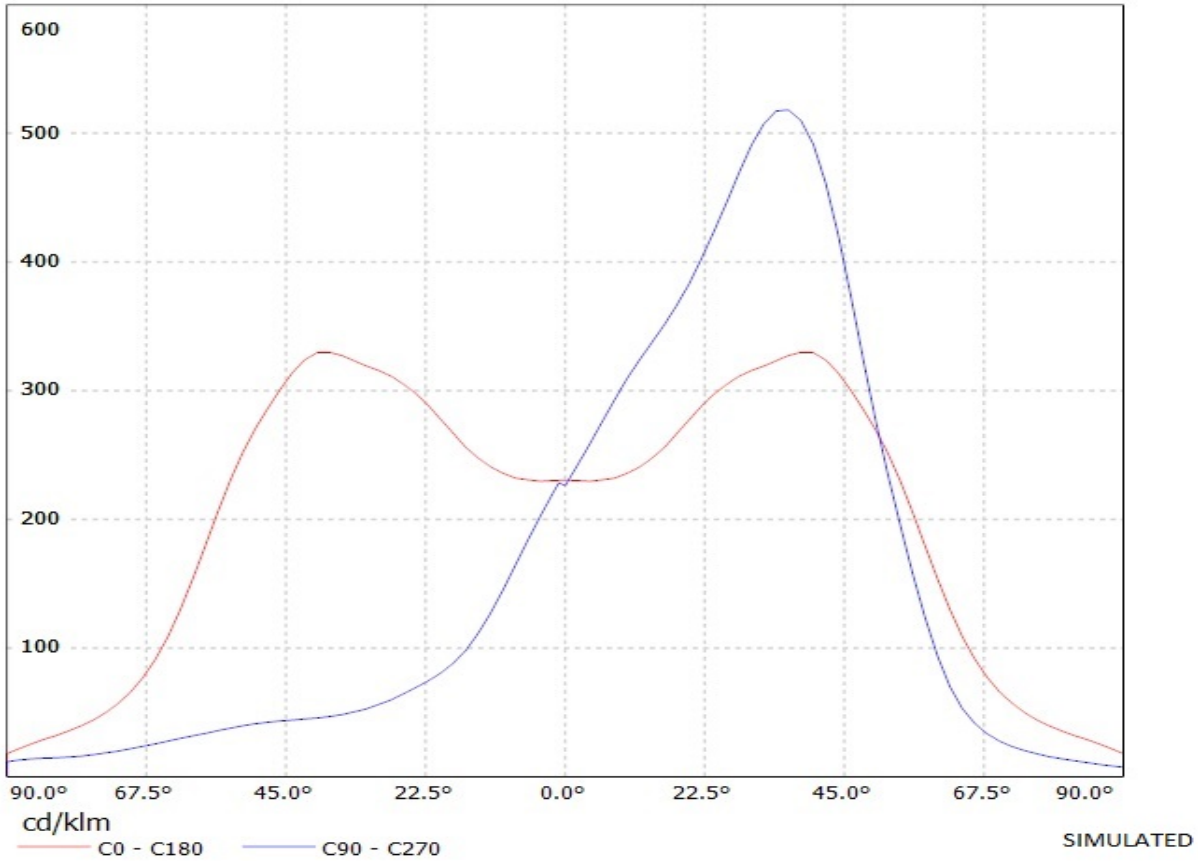
# Ledil Oy C11415\_Strada-T-DN-XP-G C11415\_Strada-T-DN-XP-G / LDC (Linear)

Luminaire: Ledil Oy C11415\_Strada-T-DN-XP-G C11415\_Strada-T-DN-XP-G  
Lamps: 1 x Cree XP-G (White)



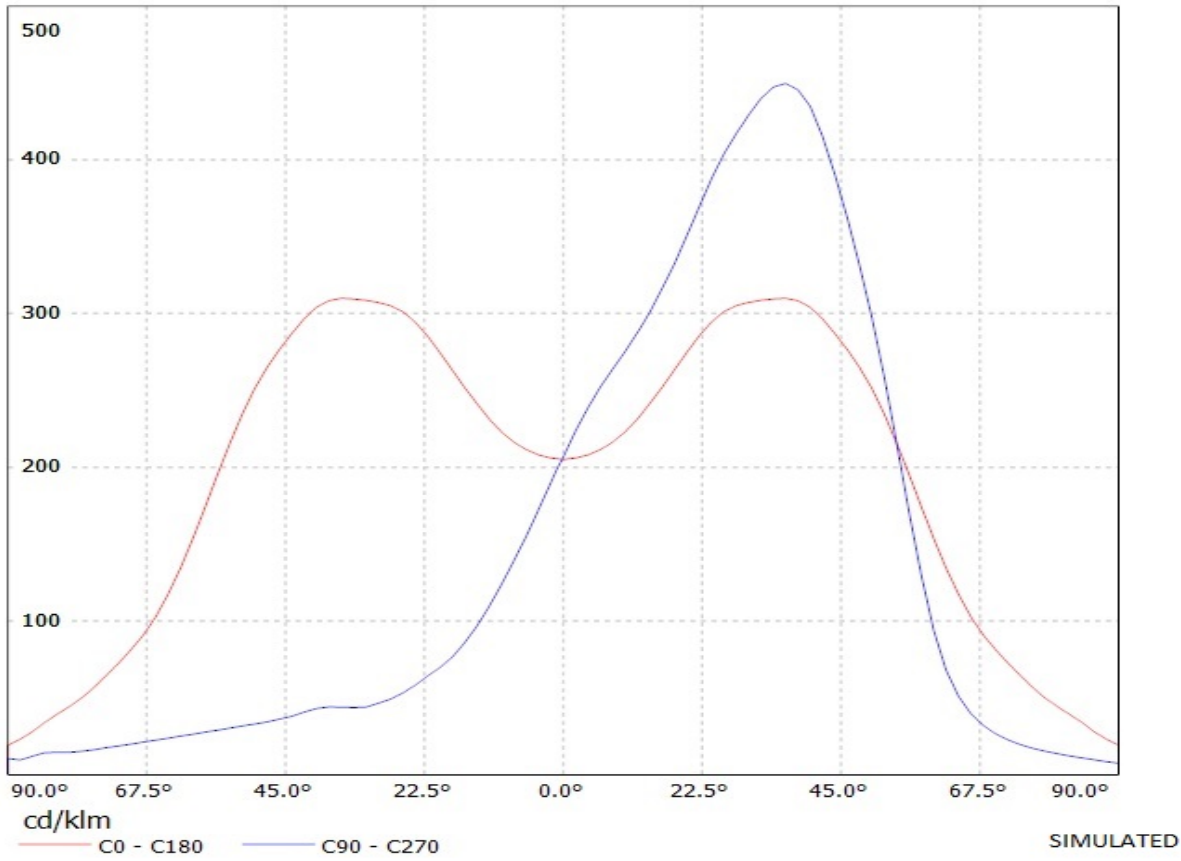
# Ledil Oy C11415\_Strada-T-DN-RE C11415\_Strada-T-DN-RE / LDC (Linear)

Luminaire: Ledil Oy C11415\_Strada-T-DN-RE C11415\_Strada-T-DN-RE  
Lamps: 1 x Luxeon Rebel (warm white)



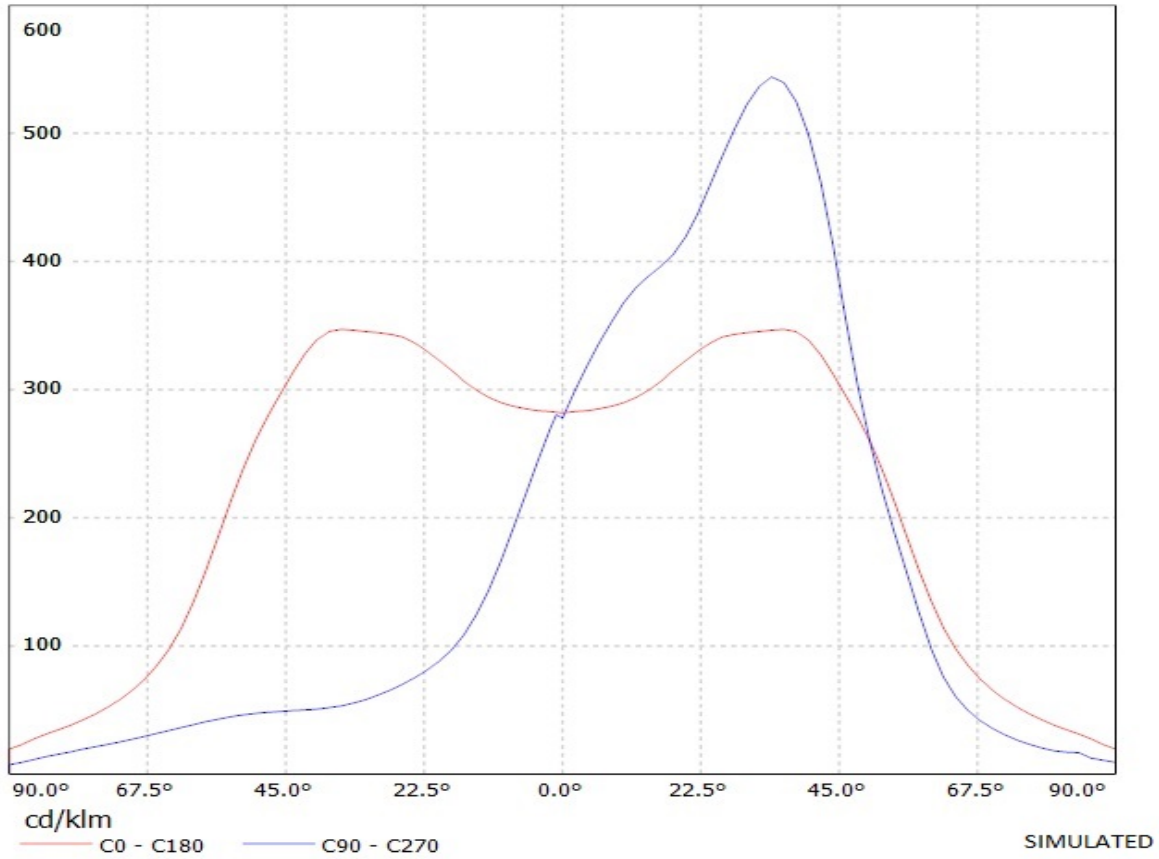
# Ledil Oy C11415\_Strada-T-DN-RE-ES C11415\_Strada-T-DN-RE-ES / LDC (Linear)

Luminaire: Ledil Oy C11415\_Strada-T-DN-RE-ES C11415\_Strada-T-DN-RE-ES  
Lamps: 1 x Luxeon Rebel ES (white)

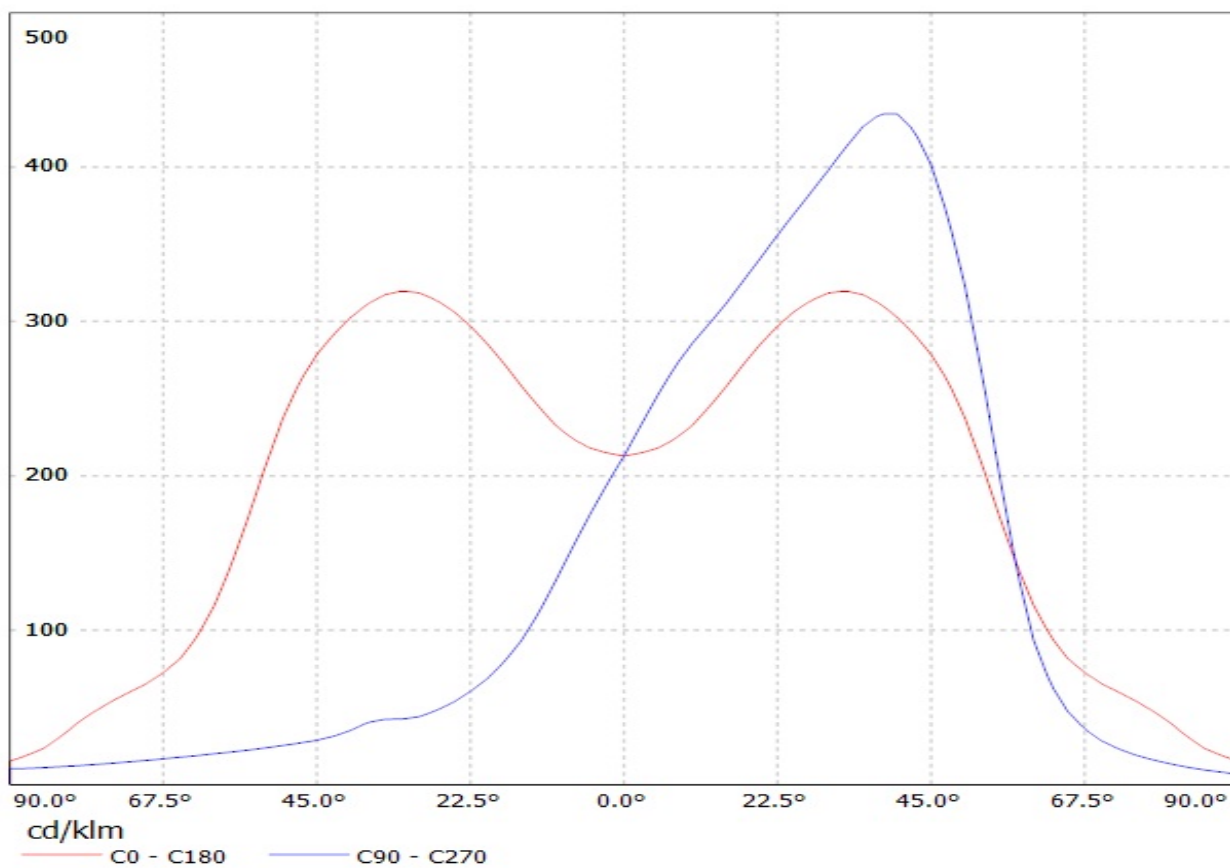


# Ledil Oy C11415\_Strada-T-DN-OSL C11415\_Strada-T-DN-OSL / LDC (Linear)

Luminaire: Ledil Oy C11415\_Strada-T-DN-OSL C11415\_Strada-T-DN-OSL  
Lamps: 1 x Osram Oslon SSL (White)



Luminaire: LEDIL OY C11415\_STRADA-T-DN / CA11416\_STRADA-T-DN (SQ PC) Efficiency=93%  
Lamps: 1 x Osram Oslon Square PC (93lm@250mA)

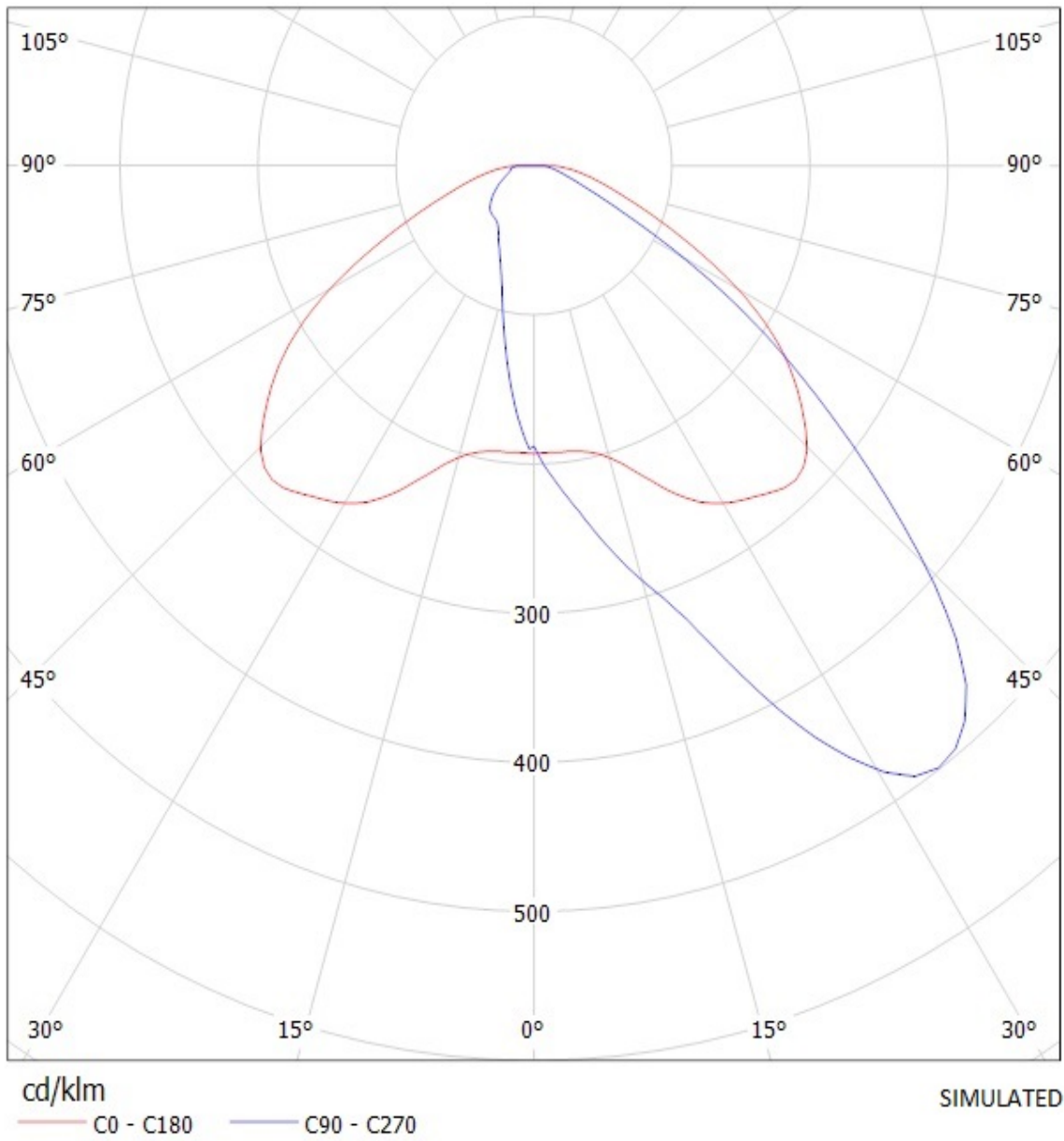




# Ledil Oy C11415\_Strada-T-DN-XP C11415\_Strada-T-DN-XP / LDC (Polar)

Luminaire: Ledil Oy C11415\_Strada-T-DN-XP C11415\_Strada-T-DN-XP

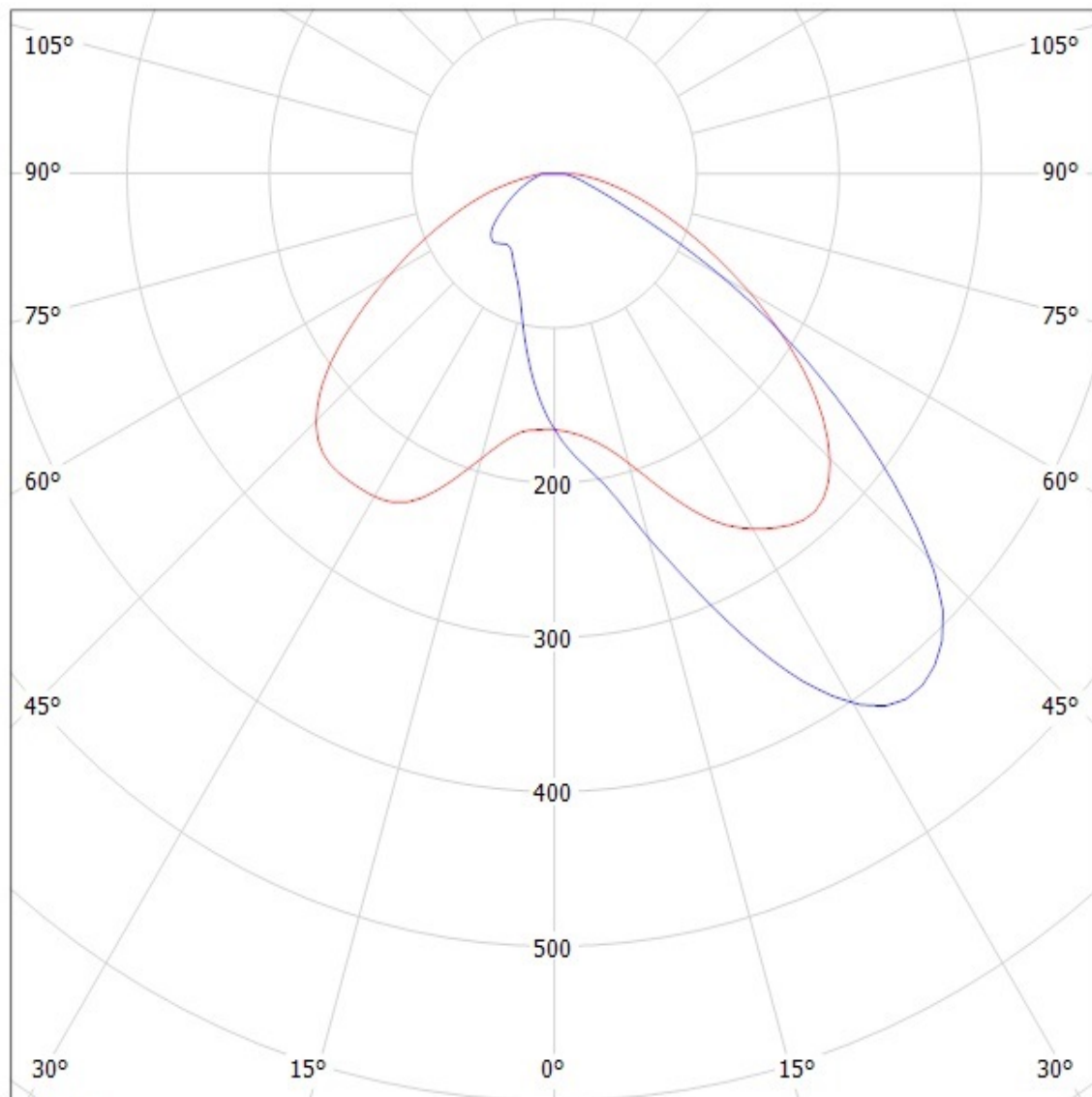
Lamps: 1 x Cree XP-E (White)



# Ledil Oy C11415\_Strada-T-DN-XP-G C11415\_Strada-T-DN-XP-G / LDC (Polar)

Luminaire: Ledil Oy C11415\_Strada-T-DN-XP-G C11415\_Strada-T-DN-XP-G

Lamps: 1 x Cree XP-G (White)



cd/klm

— C0 - C180

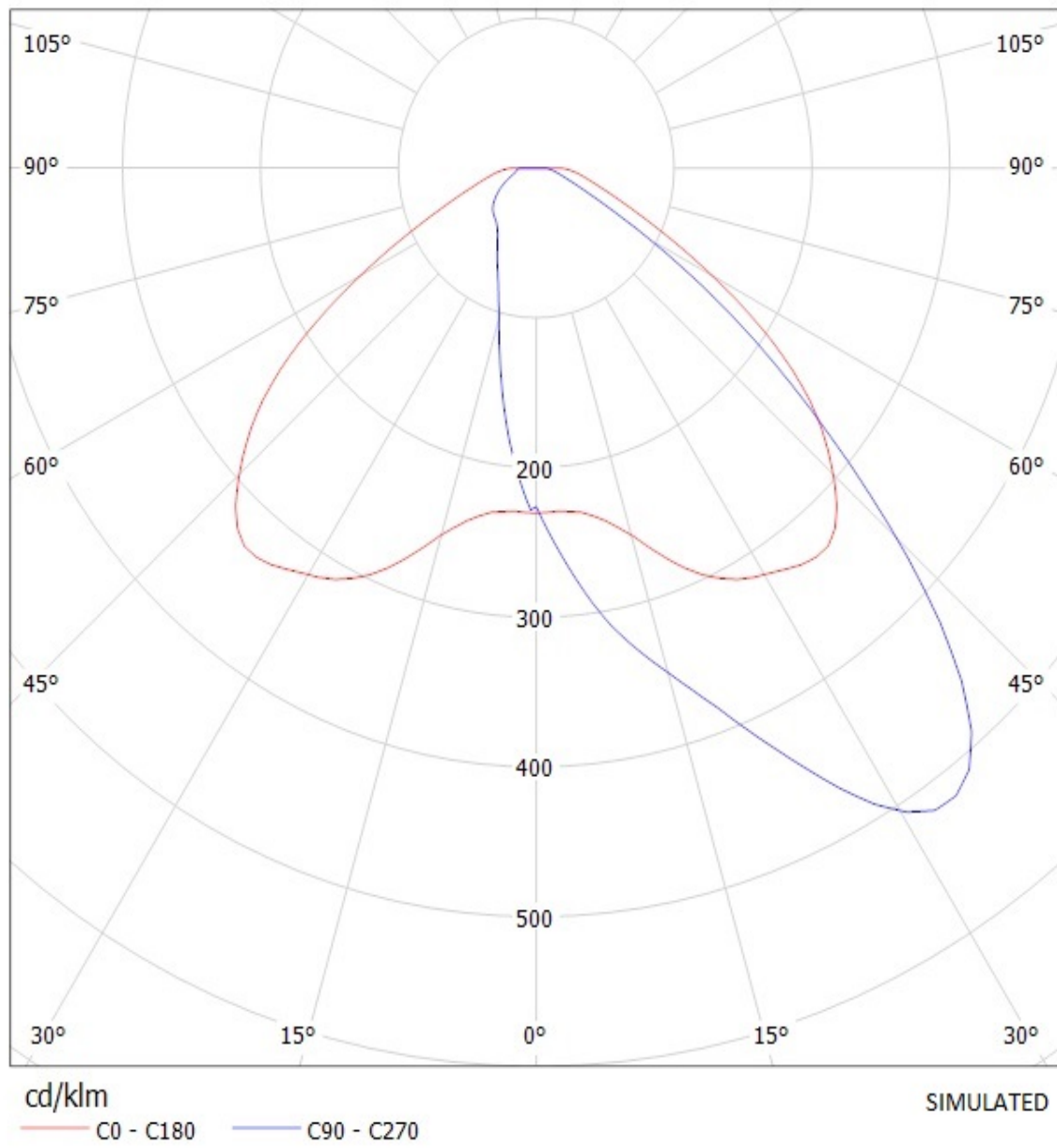
— C90 - C270

SIMULATED

# Ledil Oy C11415\_Strada-T-DN-RE C11415\_Strada-T-DN-RE / LDC (Polar)

Luminaire: Ledil Oy C11415\_Strada-T-DN-RE C11415\_Strada-T-DN-RE

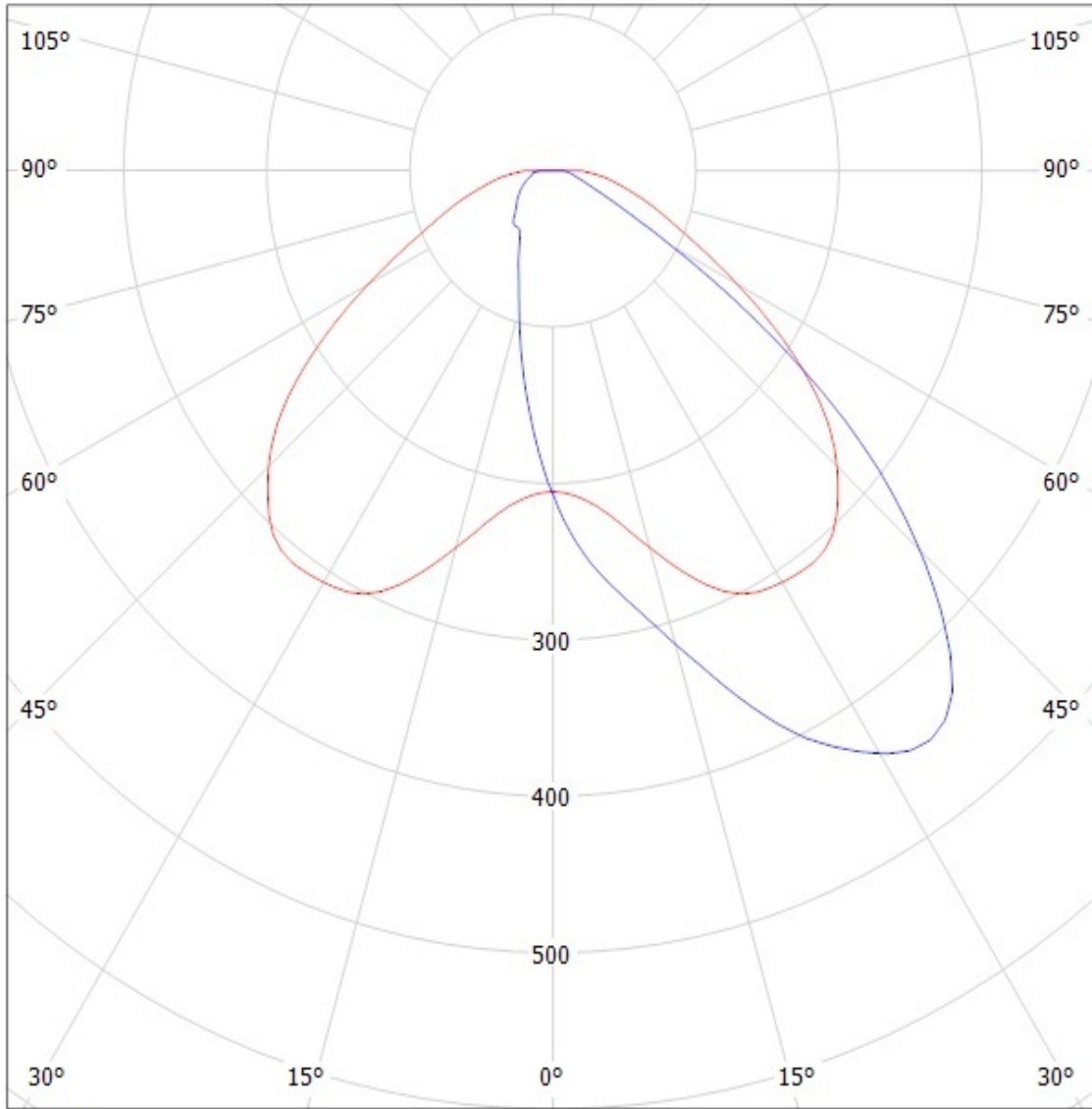
Lamps: 1 x Luxeon Rebel (warm white)



# Ledil Oy C11415\_Strada-T-DN-RE-ES C11415\_Strada-T-DN-RE-ES / LDC (Polar)

Luminaire: Ledil Oy C11415\_Strada-T-DN-RE-ES C11415\_Strada-T-DN-RE-ES

Lamps: 1 x Luxeon Rebel ES (white)



cd/klm

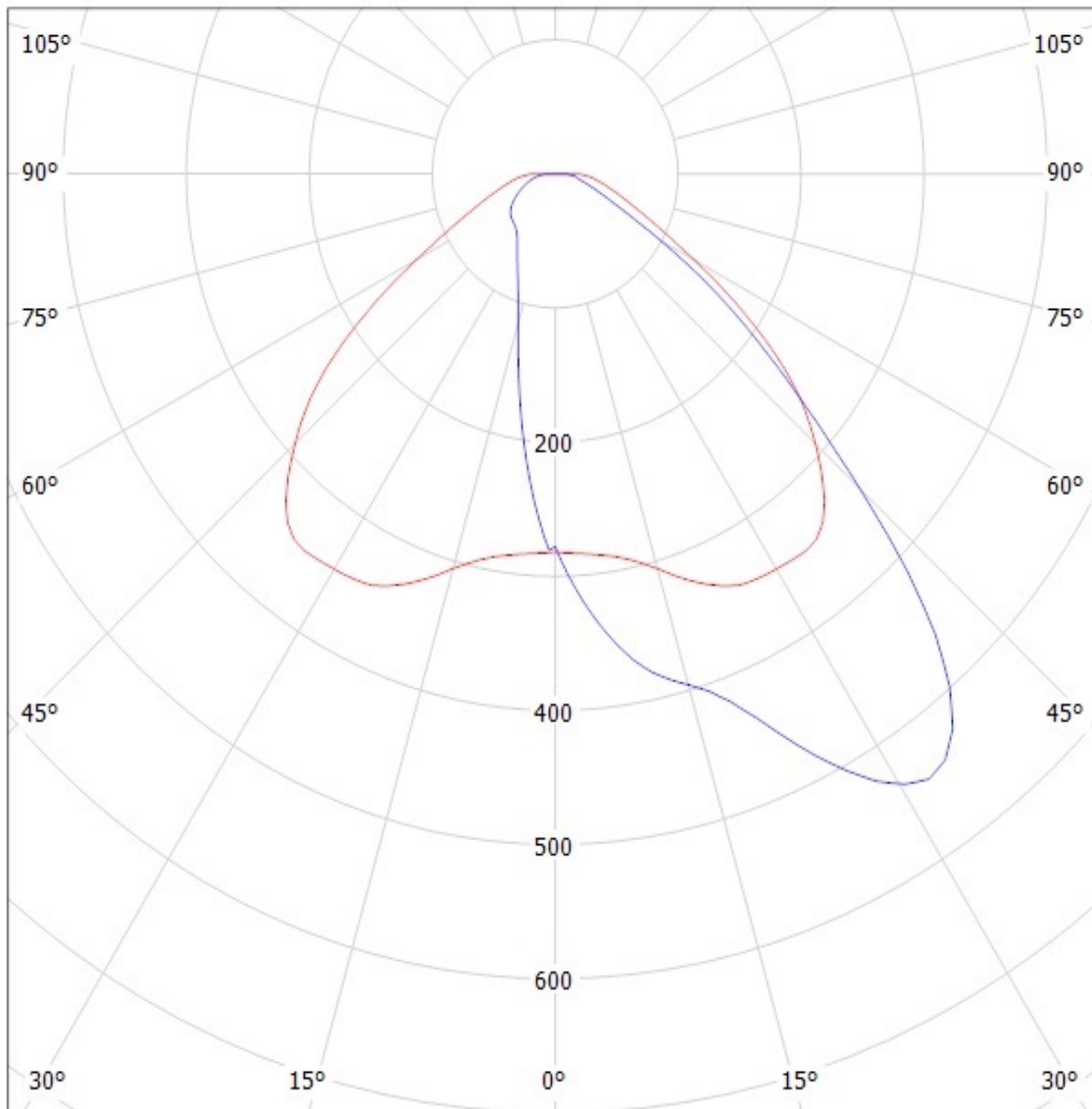
— C0 - C180 — C90 - C270

SIMULATED

# Ledil Oy C11415\_Strada-T-DN-OSL C11415\_Strada-T-DN-OSL / LDC (Polar)

Luminaire: Ledil Oy C11415\_Strada-T-DN-OSL C11415\_Strada-T-DN-OSL

Lamps: 1 x Osram Oslon SSL (White)

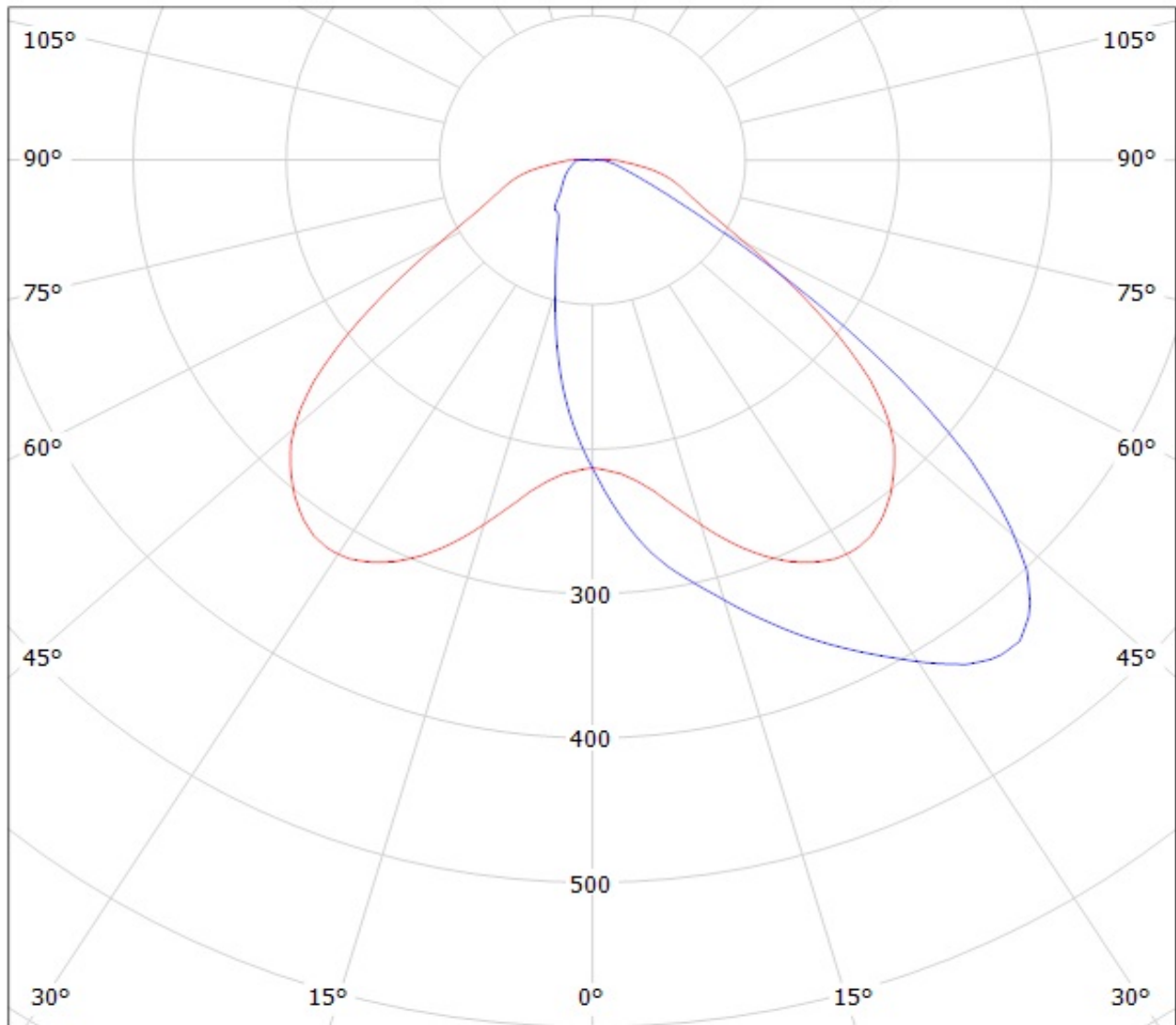


cd/klm

— C0 - C180 — C90 - C270

SIMULATED

Luminaire: LEDIL OY C11415\_STRADA-T-DN / CA11416\_STRADA-T-DN (SQ PC) Efficiency=93%  
Lamps: 1 x Osram Oslon Square PC (93lm@250mA)



cd/klm

— C0 - C180    — C90 - C270

**NOTE: The typical divergence will be changed by different color, chip size and chip position tolerance. The typical total divergence is the full angle measured where the luminous intensity is half of the peak value.**