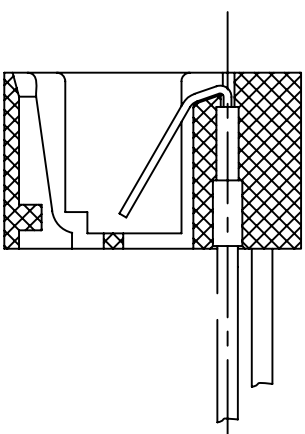
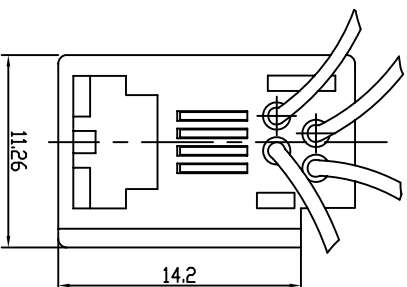
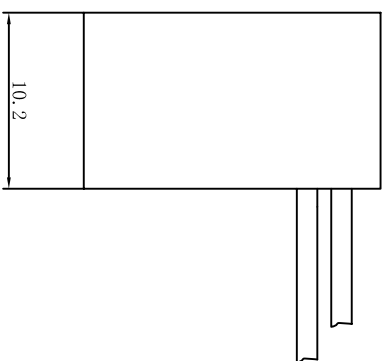
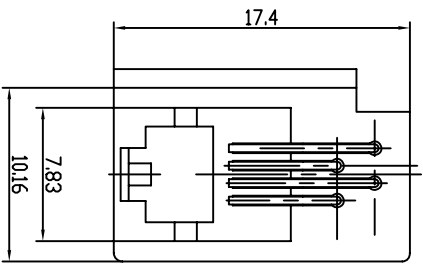


REV.	ECN NO.	DATE



SPECIFICATION NOTES:

ELECTRICAL:

- VOLTAGE RATING: 125 VAC RMS
- CURRENT RATING: 1.5 AMP
- CONTACT RESISTANCE: 30mΩ MAX.
- INSULATION RESISTANCE: 1000MΩ MIN. AT 500V DC.
- DELECTRIC STRENGTH: 1000 V AC OR 1500V DC RMS AT 0.5mA 50 Hz / 60 Hz FOR 1 MINUTE

MECHANICAL:

- HOUSING: ABS
 - CONTACT MATERIAL: DIA. PHOSPHOR BRONZE $\phi=0.46$ MM
 - PLATING: GOLD PLATING AT CONTACT AREA, NICKEL 30U MIN. OVER ALL
 - OPERATING LIFE: 750 CYCLES MIN.
 - MATING/UNMATING FORCE: 30N/3.06KG MAX.
 - RETENTION STRENGTH: 50N MIN. FOR 60S±5S
- ENVIRONMENTAL:
- STORAGE: 0°C TO +70°C RELATIVE HUMIDITY < 80%
 - GUARANTEE PERIOD: 6 MONTHS
 - OPERATION: 0°C TO +70°C

RoHS Compliant

CZT®

温州意华接插件股份有限公司
WENZHOU YIHUA CONNECTOR CO., LTD

SCALE 1:1

UNIT mm

CUSTOMER: MODEL NO:



THIRD ANGLE PROJECTION

SIZE A4

1:1

mm

TOLERANCES
0~15 ±0.15
15~30 ±0.2
30~ ±0.25
ANGLES: ±1°

Material:

Finish:

SHEET 1 OF 1

Designed:

Checked:

Approved:

NAME:

DWG NO:

PART NO:

616E

REV.