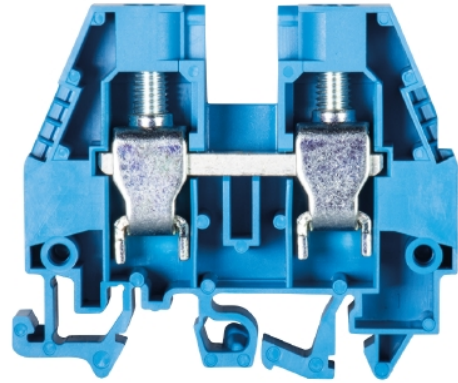


## Data sheet

Commercial Art.No.: 57.510.1155.6

Feed-through terminal WKI 10 / U BL/V0

Feed-through terminal with Screw connection for mounting on TS 35/ TS 32, nominal cross section: 10 mm<sup>2</sup>, width: 10 mm, color: blue



Commercial Art.No.	57.510.1155.6
EAN	4015573570726
Order Unit	50

Certificates / Approvals



## Technical data

### General

Nominal cross section	10 mm <sup>2</sup>
Color	Blue
Number of levels	1
Number of clamp positions per level	2
Width/grid dimension	10 mm
Insulating housing	PA666
Inflammability class of insulation material acc. with UL94	V0
Explosion-tested version "Ex e"	No
Mounting method	DIN rail (top hat rail)/G-rail
Terminal blocks for electrical installations	yes

### Technical data

Rated current	57 A
Rated voltage	400 V
Rated impulse voltage	6 kV
Pollution degree	3
Closing plate required	yes
Type of insulation material	Thermoplastic
Length	58 mm

### Connection Data

Connection type 1	screw connection
-------------------	------------------

Connection type 2	screw connection
Minimum cross section solid	1.5 mm <sup>2</sup>
Maximum cross section solid	10 mm <sup>2</sup>
Minimum cross section fine stranded	1 mm <sup>2</sup>
Maximum cross section fine stranded	10 mm <sup>2</sup>
Minimum cross section stranded	16 mm <sup>2</sup>
Maximum cross section stranded	16 mm <sup>2</sup>
Wire strip length	18 mm
Torque conductor mounting	2 Nm

#### Technical Data UL/CSA

Cross section UL	16-6 AWG
Voltage UL	600 V
Current factory wiring	65 A
Current field wiring	65 A
Cross section CSA	16-6 AWG
Voltage CSA	600 V
Current CSA	70 A

#### Classification

ECLASS 11	
ECLASS 8.1	27141120
ETIM 7.0	EC000897
ETIM 6.0	EC000897
ETIM 5.0	EC000897
ETIM 4.0	EC000897
ETIM 3.0	EC000897

#### Product compliance

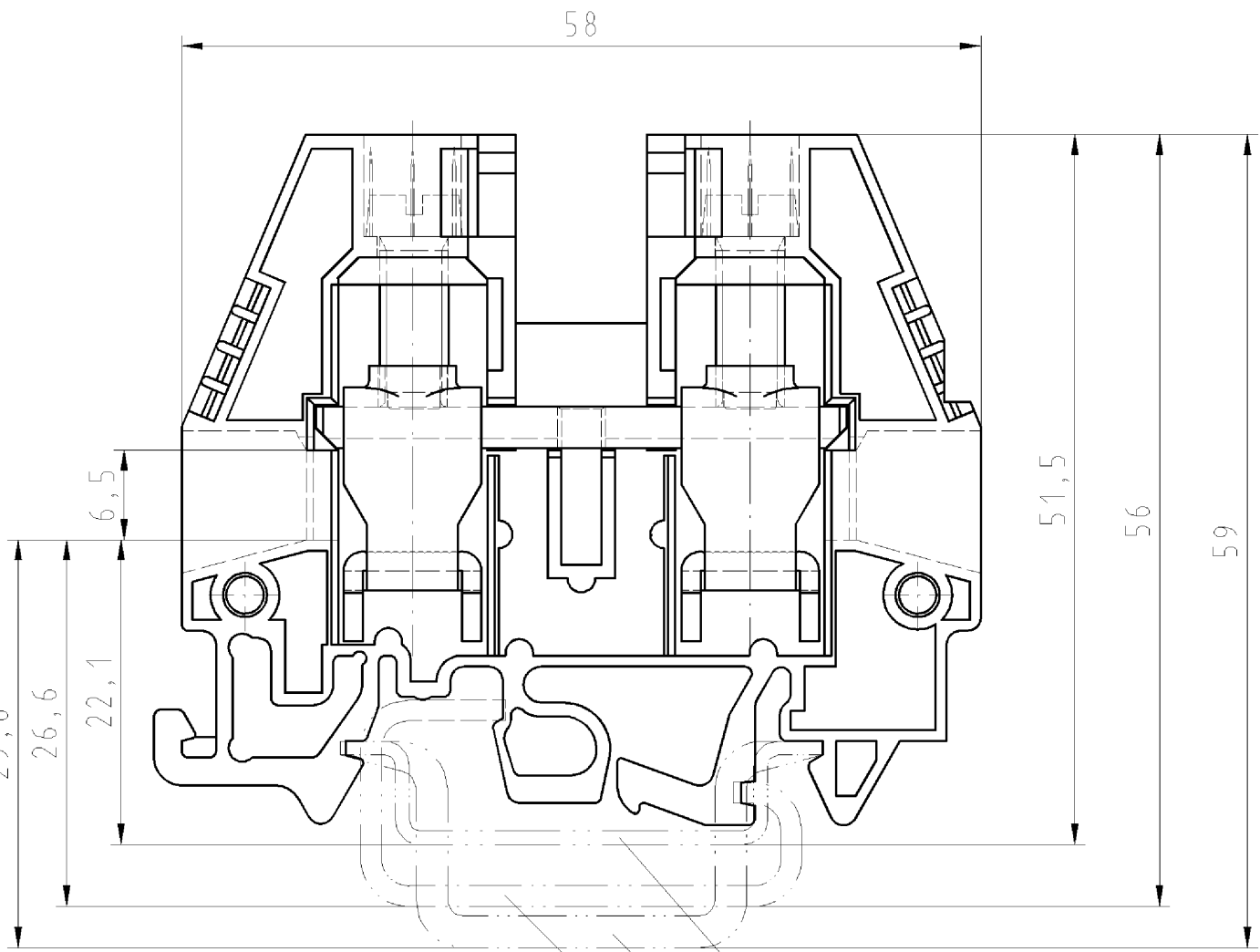
ROHS conformity status	Compliant
REACH-SVHC conformity status	Compliant

#### Accessories

Commercial Art.No.:	Article-type description:	Description:
Z7.283.2227.0	Insulated jumper bar IVBWK10 - 2	Cross connector, insulated for DIN rail terminal blocks type WKN ..., 2 - pole
Z7.283.2327.0	Insulated jumper bar IVBWK10 - 3	Cross connector, insulated for DIN rail terminal blocks type WKN ..., 3 - pole
Z7.283.2427.0	Insulated jumper bar IVBWK10 - 4	Cross connector, insulated for DIN rail terminal blocks type WKN ..., 4 - pole
Z7.283.2527.0	Insulated jumper bar IVBWK10 - 5	Cross connector, insulated for DIN rail terminal blocks type WKN ..., 5 - pole
Z7.283.2627.0	Insulated jumper bar IVBWK10 - 6	Cross connector, insulated for DIN rail terminal blocks type WKN ..., 6 - pole
98.190.0000.0	Mounting rail TS 32 UNPERF - l:2000mm	Mounting rail G 32, unslotted, Höhe 5,5 mm, length 2 m, material steel. galv. zinc-plated and dichromated
98.190.1000.0	Mounting rail TS 32 PERF 15mm - l:2000mm	Mounting rail G 32, slotted, Höhe 15 mm, length 2 m, material steel. galv. zinc-plated and dichromated
98.210.0000.0	Mounting rail TS 32 UNPERF AL - l:2000mm	Mounting rail G 32, unslotted, Höhe 15 mm, length 2 m, material Aluminium

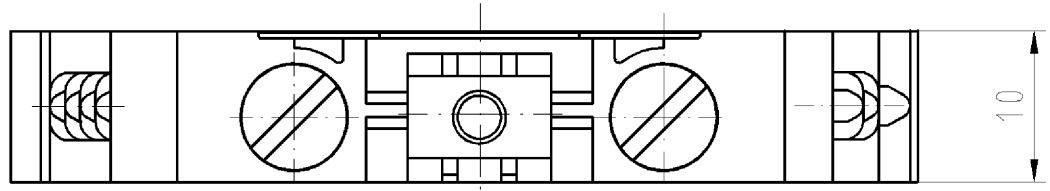


98.220.0000.0	Mounting rail TS 32 UNPERF CU - l:2000mm	Mounting rail G 32, unslotted, Höhe 15 mm, length 2 m, material E copper
98.300.0000.0	Mounting rail TS 35x7,5 UNPERF - l:2000mm	Mounting rail TS 35, unslotted, size 7,5 mm, length 2 m, material steel. galv. zinc-plated and dichromated
98.300.1000.0	Mounting rail TS 35x7,5 PERF 15mm - l:2000mm	Mounting rail TS 35, slotted, size 7,5 mm, length 2 m, material steel. galv. zinc-plated and dichromated
98.300.1900.0	Mounting rail TS 35x7,5 PERF 25mm - l:2000mm	Mounting rail TS 35, slotted, size 7,5 mm, length 2 m, material steel. galv. zinc-plated and dichromated
98.360.0000.0	Mounting rail TS 35x15-2,3 UNPERF - l:2000mm	Mounting rail TS 35, unslotted, size 15 mm, length 2 m, material steel. galv. zinc-plated and dichromated
98.360.0004.0	Mounting rail TS 35x15-2,3 UNPERF FZN - l:2000mm	Mounting rail TS 35, unslotted, size 15 mm, length 2 m, material steel, hot galvanized
98.370.0000.0	Mounting rail TS 35x15 UNPERF - l:2000mm	Mounting rail TS 35, unslotted, size 15 mm, length 2 m, material steel. galv. zinc-plated and dichromated
98.370.1000.0	Mounting rail TS 35x15 PERF 15mm - l:2000mm	Mounting rail TS 35, slotted, size 15 mm, length 2 m, material steel. galv. zinc-plated and dichromated
98.380.0000.0	Mounting rail TS 35x15-2,3 UNPERF CU - l:2000mm	Mounting rail TS 35, unslotted, size 15 mm, length 2 m, material E copper
07.311.9455.0	End plate API 10 - 16/V0	End plate for DIN rail terminal blocks type WKI 10... und WKI 16..., color: grey
07.311.9455.6	End plate API 10 - 16 BLAU/V0	End plate for Din rail terminal blocks type WKI 10... and WKI 16..., color: blue



- Diese Maße werden bei Abnahme besonders geprüft
- Ausschließlich Prüfmaße
- MTL/NE-Merkmalzeichen Maße sind nur für interne Zwecke gültig

- Hutschiene EN 60715-35x7,5  
mounting rail EN 60715-35x7,5
- Hutschiene EN 60715-35x15  
mounting rail EN 60715-35x15
- G-Schiene EN 60715-G32  
G-rail EN 60715-G32



Weitere Daten siehe Katalog  
further data see catalog

\* = spezielle Verpackung  
specific package

Teile.-Nr. Part-number	Farbe colour	Typ type
57.510.1155.0	grau/grey	WKI 10/U /VO
57.510.1155.6	blau/blue	WKI 10/U BL/VO
57.510.1155.7	grün/green	WKI 10/U GE/VO
* 57.510.1195.0	grau/grey	WKI 10/U /VO
* 57.510.1195.6	blau/blue	WKI 10/U BL/VO

Freitoleranz nach		CAD - Zeichnung, keine manuellen Änderungen			1. Verwendung: -		Bl.: 1 von 1		
	Maßstab	Werkstoff und Oberfläche:		2004	Tag	Name		Zeichnung Nr. <b>57.510.1155.0 01K</b>	Index
	%			Entworfen	22.10.	Schmitt J.			
				Geprüft	-				
	Vol.	mm <sup>3</sup>	Ofl.	mm <sup>2</sup>	Normgepr.	-	Ersatz für: -		
<b>wieland</b> Elektrische Verbindungen				Benennung					
				<b>DURCHGANGSKLEMME</b>					
Änderung				Modular terminal					

Weitergabe sowie Vervielfältigung dieses Dokuments, Verwertung und Mitteilung  
 seines Inhalts sind verboten, soweit nicht ausdrücklich gestattet.  
 The reproduction, distribution and utilization of this document as well as the  
 communication of its contents to others without express authorization is prohibited.

575101155001K\_4\_CAD/028\_Schnitt 2004-10-25/12:16:06 1.000