

## Data sheet

Commercial Art.No.: 99.575.0000.7

Connector RST25i5S6B1 ZR3SV BG03

RST25i5 connector, 5 pole, female, screw connection, application 250/400V with PE, 25A, for cable diameters 13-18mm, coding color concrete grey, color of housing black



Commercial Art.No.	99.575.0000.7
EAN	4049088167546
Order Unit	1

Certificates / Approvals



## Technical data

### General

Rated current	25 A
Rated voltage	250 V / 400 V
Rated impulse voltage	4 kV
strain relief	yes
Pollution degree	3
Lockable	self-locking (unlocking by tool)
Color of coding/ contact carrier	concrete grey
Marking of poles	L, N, PE, 1, 2
Color of housing inclusive strain relief	black

### Connection Data

Cable diameter max.	18 mm
Cable diameter min.	13 mm
Connection cross section solid mm <sup>2</sup> max.	4 mm <sup>2</sup>
Connection cross section solid mm <sup>2</sup> min.	1.5 mm <sup>2</sup>
Connection cross section solid AWG min.	18 AWG
Connection cross section solid AWG max.	14 AWG
Connection cross section fine stranded mm <sup>2</sup> max.	6 mm <sup>2</sup>
Connection cross section fine stranded mm <sup>2</sup> min.	1.5 mm <sup>2</sup>
Terminations per pole	1
sheath strip length	37 mm
Wire strip length	8 mm

### Model

Model	female
-------	--------

Connection type	screw connection
Degree of protection (IP)	IP66/68 (3m;2h) /IP69

#### Material

Housing material	Polyamide
halogen free	yes
Contact material	CuZn
Fire load	0.369 kWh
Insulation components continuous temperature	100 °C
Surface finish	Silver-plated

#### Dimensions

Length	96.6 mm
Width	35.4 mm
Height	35.4 mm

#### Classification

ECLASS 11	
ECLASS 8.1	27440605
ETIM 7.0	EC002560
ETIM 6.0	EC002560
ETIM 5.0	EC002560
ETIM 4.0	EC002560

#### Note

Note	fine-stranded and stranded wires have to be used without ferrules
------	---

#### Product compliance

ROHS conformity status	Compliant/Exempted
ROHS exceptions	III-6(c)
REACH-SVHC conformity status	Duty-To-Declare
REACH-SVHC substances	Lead
REACH-SVHC CAS numbers	7439-92-1

#### Fits with

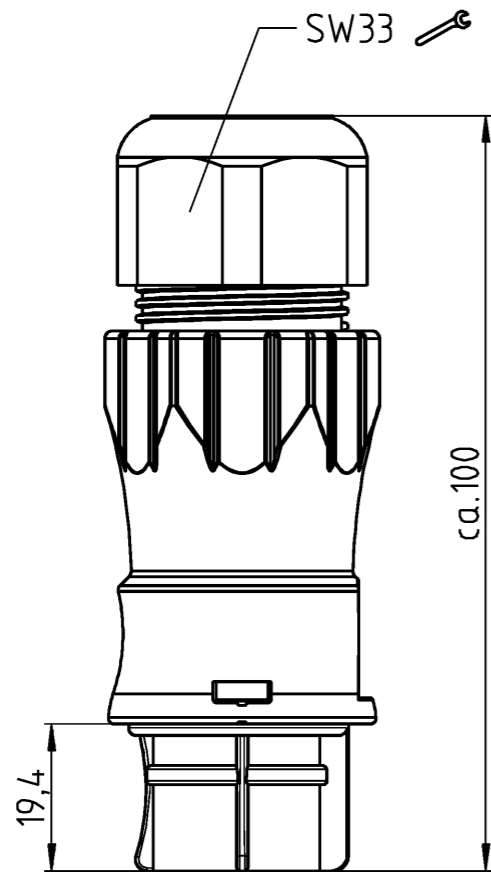
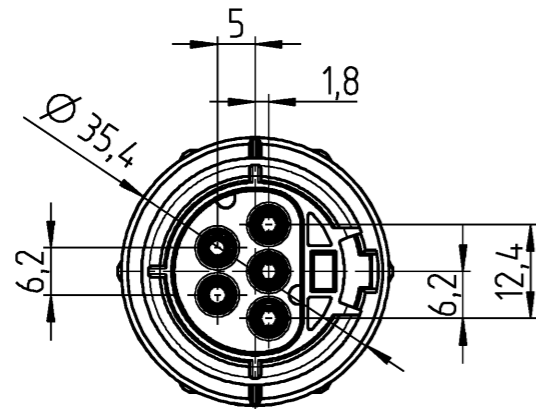
Commercial Art.No.:	Article-type description:	Description:
96.834.1000.3	Cable assembly RST25i3KSBS 40P 10BG03	RST25i3 extension cable female - male, 3 pole, assembled with screw connection, application 250V with PE, 25A, cable type H05VV-F, length 1.0m, cross section 4.0mm <sup>2</sup> , coding color concrete grey
99.576.0000.7	Connector RST25i5S6S1 ZR3SV BG03	RST25i5 connector, 5 pole, male, screw connection, application 250/400V with PE, 25A, for cable diameters 13-18mm, coding color concrete grey, color of housing black
99.578.0000.7	Device connector RST25i5S6S1 M01V BG03	Device connector, standard M25, RST25i5, 5 pole, male, screw connection, 250V/400V 3x25A (with 6mm <sup>2</sup> /AWG10), color of coding: concrete gray, color of nut: black

A These dimensions will be especially checked at delivery  
 Only inspection dimensions  
 With JE marked dimensions are only valid for internal use

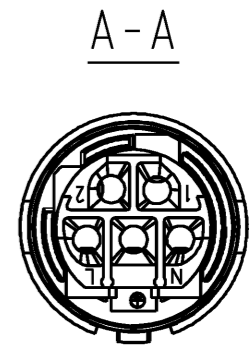
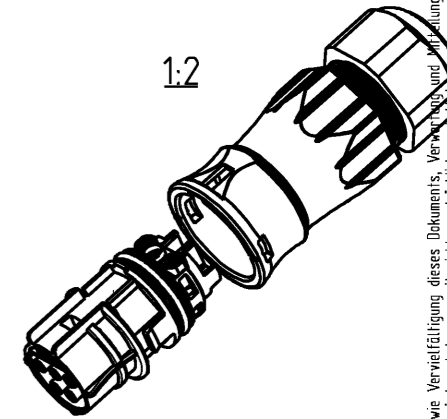
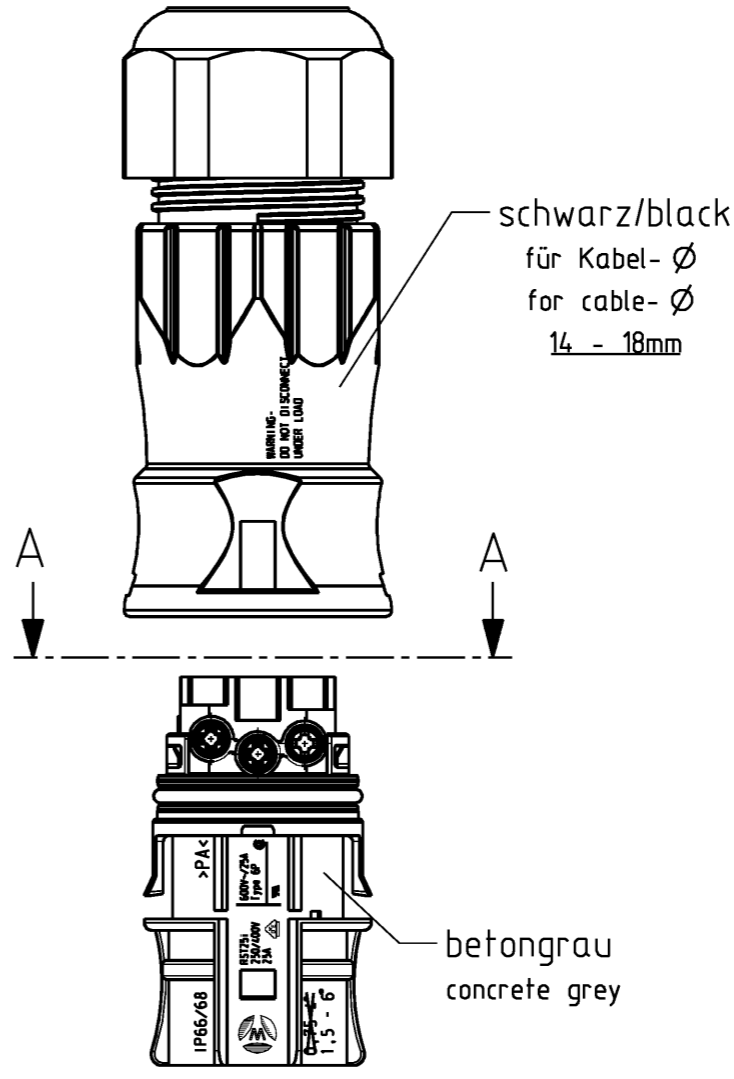
C Diese Maße werden bei Abnahme besonders geprüft  
 Ausschließlich Prüfmaße  
 Mit JE gekennzeichnete Maße sind nur für interne Zwecke gültig

E

F



Auslieferungszustand  
 delivery status



Verpackungseinheit: je 100 Stück  
 packaging unit per 100

Weitergabe sowie Vervielfältigung dieses Dokuments, Verwechslung und Änderung seines Inhalts sind verboten, soweit nicht ausdrücklich gestattet. Die Reproduktion, Distribution und Nutzung dieses Dokuments sowie die Kommunikation mit anderen ohne ausdrückliche Genehmigung ist untersagt.

Tolerierung Size ISO 14405 © / Tolerance system Size ISO 14405 ©. (This ISO-standard describes the envelope principle. According to the envelope principle the deviations of form and parallelism are limited by the size tolerances).		ja/yes <input checked="" type="checkbox"/> Stoffverbots- und Deklarationsliste nach WN 5020.010 ist einzuhalten. Conformity with Wieland document WN 5020.010 e (list of prohibited / declarable hazardous substances) to be declared!	
Freitoleranz nach General tolerance		CAD - Zeichnung, keine manuellen Änderungen CAD - drawing, no manual modifications allowed	
1 Verwendung: First Use:		Blatt: 1 von 1 Sheet: of	
Werkstoff / Material		Tag/Date Name	
Maßstab / Scale		gezeichnet drawn 24.11.2016 Duetsch T.	
1:1		geprüft checked	
Vol. mm³ Dfl./Srf. mm²		Normgepr. Stand. check	
Ersatz für / Replacement for:		Zeichnung Nr. / Drawing No.	
www.wieland-electric.com		99.575.0000.7 01K -	
Type		Maße in mm / Dimensions are in mm	
BENENNUNG/TITLE		Index	
RST2515		-	
S6B1 ZR3SV		BUCHSENTEIL M. ZUGENTL.	
GR03		Schraubanschluss/screw connection	
Änderung / Revision		code 3 6mm² 250V 25A	